

# potterybarnkids

Furniture Guide

## Camp *bedroom collection*



Our Camp Collection is true to the spirit of classic plank furniture used by generations of kids at camp. Like its predecessors, it's simple, durable and wholesome.

### *style*

Clean, square lines and simple, sturdy planks bring fun and utility to your child's bedroom.

### *construction*

For lasting durability, pieces are framed in solid American poplar and European spruce, and drawers are built with dovetail joinery.

### *finish*

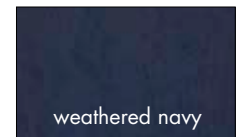
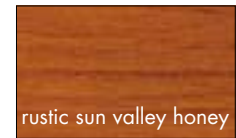
Our exclusive finish in your choice of two colors have the weathered look of age.

# Camp Bed

Framed in solid wood, our Camp Bed features even plank paneling, squared finials and sturdy wood legs. Meticulous construction detailing includes tongue & groove joinery and durable slat-roll foundations to provide support for a mattress without the need for a box spring in twin, full and queen sizes. The optional trundle can be used with or without a mattress. A gently rubbed finish completes the look of this piece, as if it were handed down over generations.

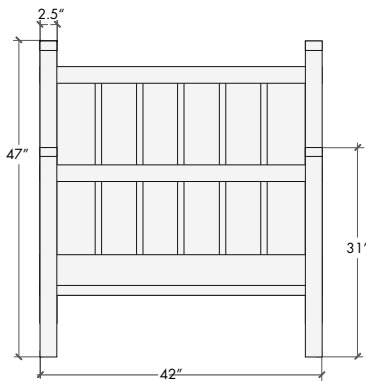


## wood finishes



ITEM PART	WIDTH	LENGTH/DEPTH	HEIGHT
Overall Assembled - Twin	42"	80"	47"
Overall Assembled - Full	57"	80"	47"
Headboard Only - Twin	42"	2.5"	47"
Headboard Only - Full	58"	2.5"	47"
Trundle	40"	74.5"	7"

front (twin)



side (twin)

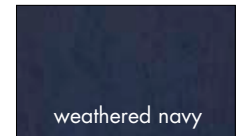
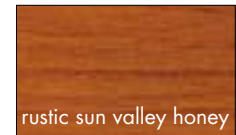


# Camp Bunk Bed

Reminiscent of rustic summer vacations, our Camp Bunk Bed combines the timeless aesthetic of plank paneling with the strength and durability of solid wood frame construction. Added safety features include a ladder that can be mounted on either side, a guardrail and a slat-roll foundation to support the mattress. As kids grow and needs change, the beds can be separated and used as two twins. The Consumer Product Safety Commission recommends that top bunks not be used for children under six years of age.

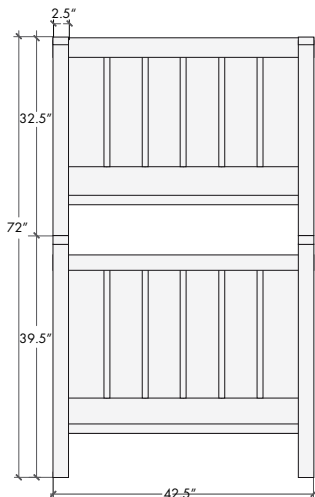


## wood finishes

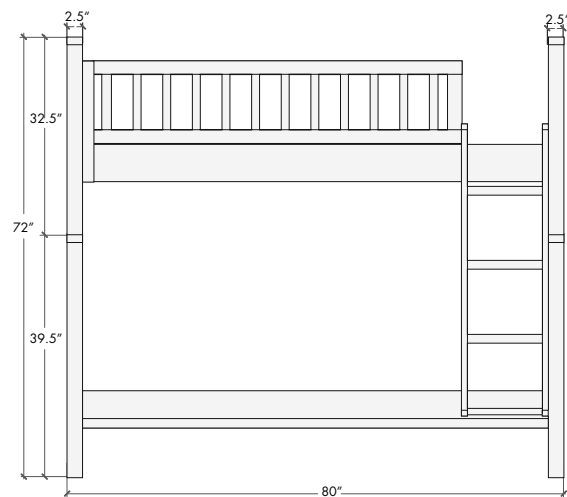


ITEM PART	WIDTH	LENGTH/DEPTH	HEIGHT
Overall Assembled	42.5"	80"	72"
Top Bed	42.5"	80"	32.5"
Bottom Bed	42.5"	80"	39.5"
Ladder	14"	3"	47"

*front*



*side*

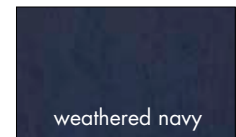
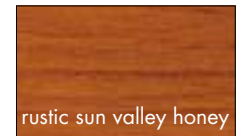


# Camp Twin-Over-Full Bunk

Perfect for sleepovers or family visits, our Twin-Over-Full Bunk Bed provides space for kids of all ages. Beautifully built with plank paneling, squared finials and solid wood legs, this bunk includes a guard-rail and slat-roll foundation. For added convenience, the beds can be used separately as a twin and full bed. Finished with multiple layers of sealant that will protect the piece over time. The Consumer Product Safety Commission recommends that top bunks not be used for children under six years of age.

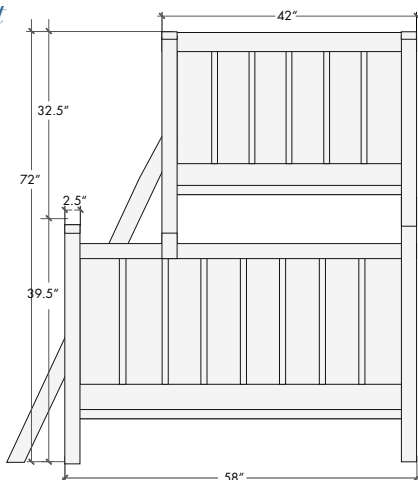


*wood finishes*

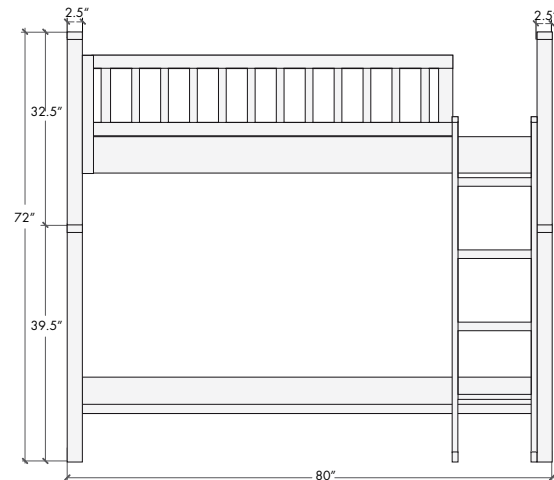


ITEM PART	WIDTH	LENGTH/DEPTH	HEIGHT
Overall Assembled	58"	80"	72"
Top Bed	42.5"	80"	32.5"
Bottom Bed	58"	80"	39.5"
Ladder	14"	3"	61.5"

*front*



*side*

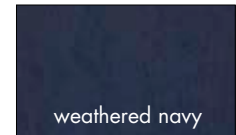
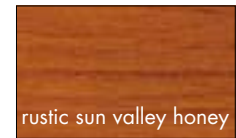


# Camp Dresser

A storage necessity in the bedroom, our Camp Dresser has two small and two large drawers that slide easily and safely on sturdy wood glides. Plank-paneled sides and a gently rubbed finish give it rustic charm, while multiple layers of sealant will protect the dresser over time. Quality details include dovetail joinery and half-moon drawer stops. The Sun Valley finishes feature antique-bronze hardware; Weathered Navy features brushed-nickel hardware. Fully assembled.

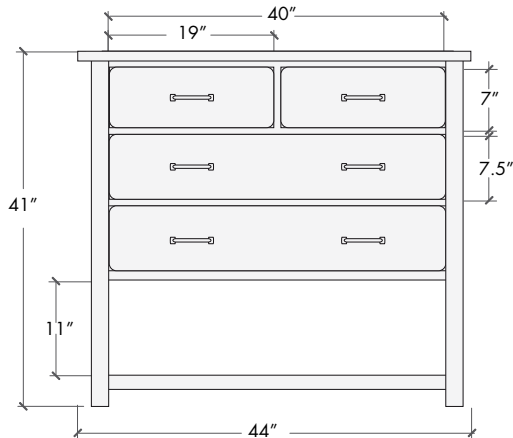


## wood finishes

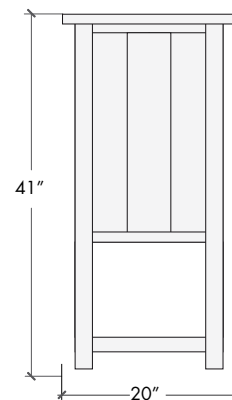


ITEM PART	WIDTH	LENGTH/DEPTH	HEIGHT
Overall Assembled	44"	20"	41"
Top Drawer Interior (2)	17"	13"	4.5"
Bottom Drawer Interior (2)	37"	13"	5"

## front



## side

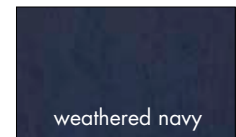
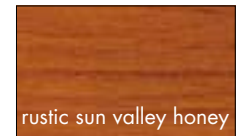


# Camp Extra-Wide Dresser

The utility of our extra-wide dresser is unbeatable, with two large drawers, three small drawers and an open shelf space convenient for stacking sweaters or tucking accessories in baskets. The drawers are built for longevity, with dovetail joinery, waxed wood glides and easy-to-grasp hardware. Drawer stops add an extra element of safety. Our Sun Valley finishes have antique-bronze hardware; Weathered Navy has brushed-nickel hardware. Fully assembled.

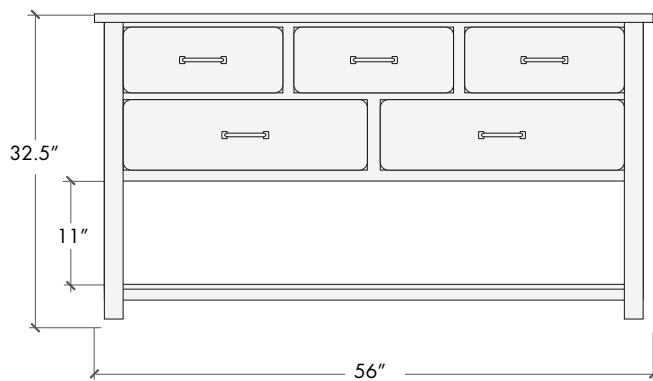


## wood finishes

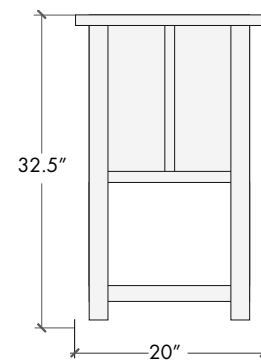


ITEM PART	WIDTH	LENGTH/DEPTH	HEIGHT
Overall Assembled	60"	20"	32.5"
Top Drawer Interior (3)	15.5"	13"	4"
Bottom Drawer Interior (2)	25"	13"	5"

## front



## side

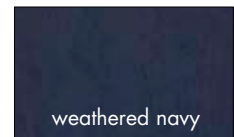
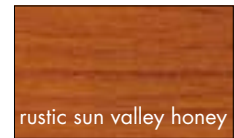


# Camp Nightstand

The wide tabletop surface of our Camp Nightstand is a convenient spot next to the bed to place a lamp and a book. A roomy drawer underneath slides easily on a wood glide and has a drawer stop for safety. The bottom shelf provides even more storage. Dovetail joinery ensures the longevity of the construction. The Sun Valley finishes feature antique-bronze hardware; Weathered Navy features brushed-nickel hardware. Fully assembled.

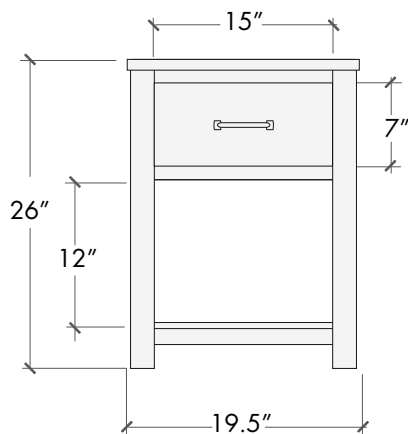


## wood finishes

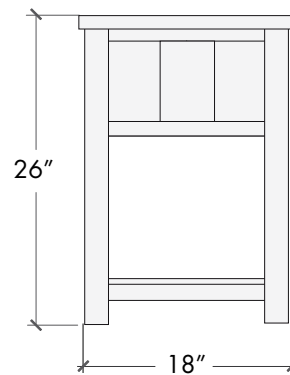


ITEM PART	WIDTH	LENGTH/DEPTH	HEIGHT
Overall Assembled	19.5"	18"	26"
Drawer Interior	13.5"	13"	4.5"

*front*



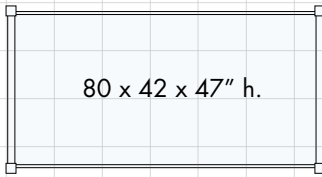
*side*



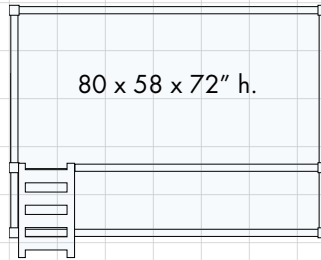
# Measuring for Furniture:

1. Measure your room. (one ft. = 1/4 inch).
2. Take the grid paper supplied on the last page of this download and draw the proportions.  
Remember to include door and windows.
3. Cut out your desired furniture pieces below, trim close to furniture edge.
4. Play with different room arrangements.

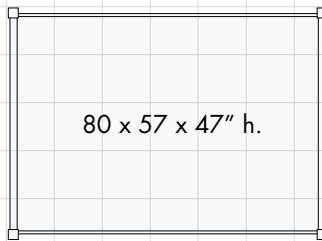
*camp twin bed*



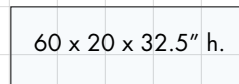
*camp twin-over-full bunk*



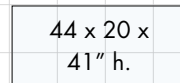
*camp full bed*



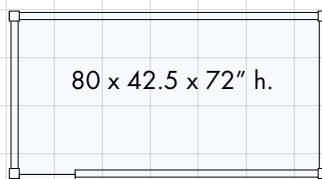
*camp extra-wide dresser*



*camp dresser*



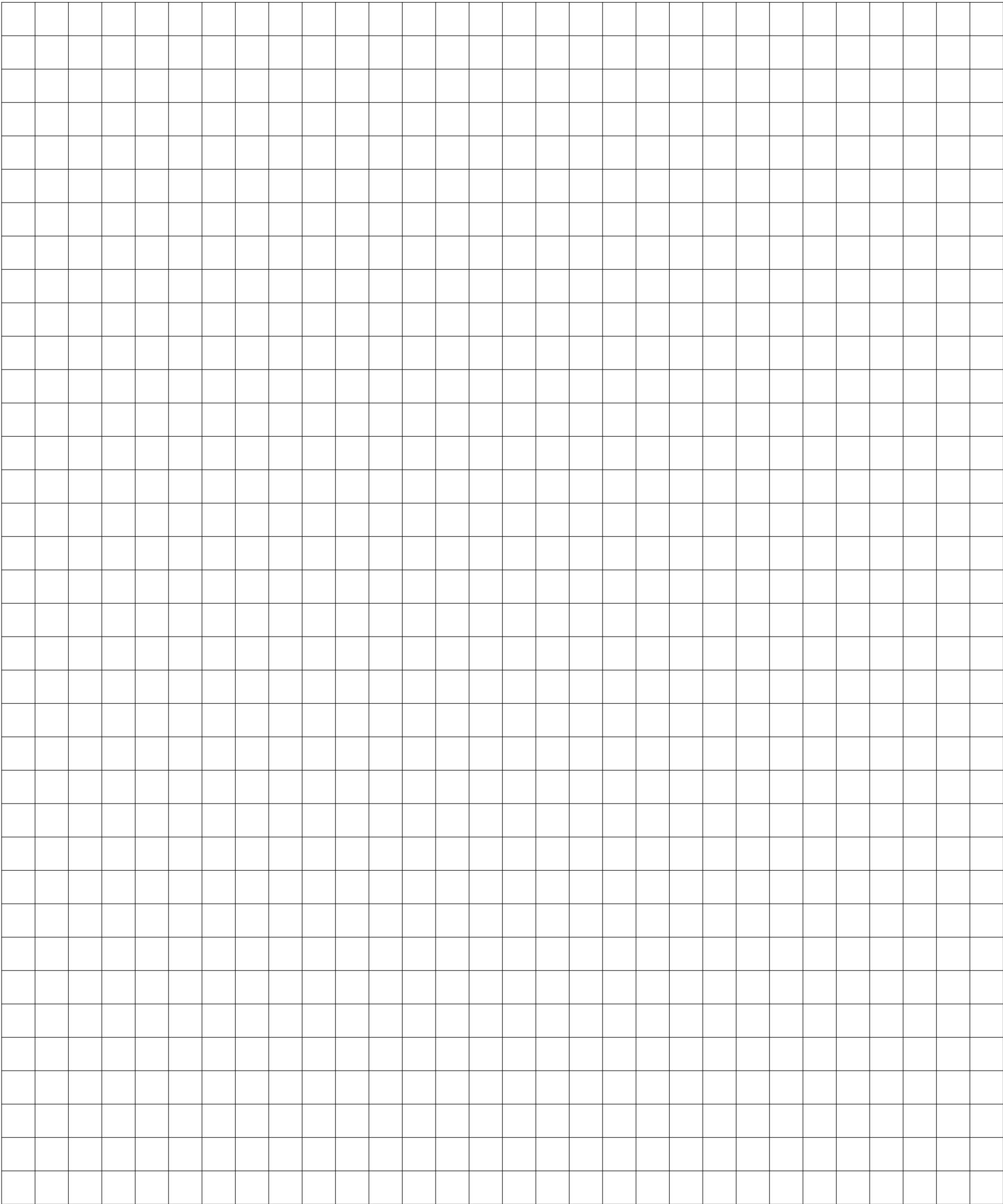
*camp bunk bed*



*camp nightstand*







one ft. = 1/4 inch