

Pottery barn kids

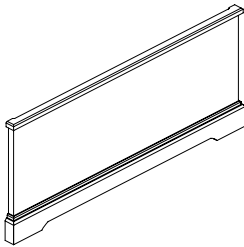
OPEN TOY BOX

PRE-ASSEMBLY:

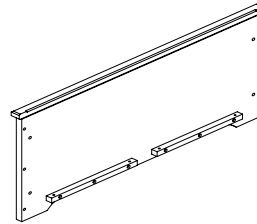
- Remove all parts and hardware from the box and lay out on a clean carpeted or scratch-free work surface (The shipping box provides an ideal work surface). This will avoid damaging any parts during assembly. Do not dispose of any contents until assembly is completed to avoid accidentally discarding small parts or hardware.
- Two people are recommended for ease of assembly.
- Use the parts and hardware lists to identify and separate each of the pieces included prior to starting assembly.
- The illustrations provided allow for easier assembly when used in conjunction with the assembly instructions.
- If using power tools to aid in assembly please use caution. Power tools can damage hardware or split wood.

PARTS INCLUDED:

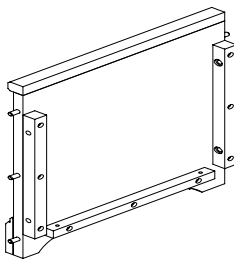
A – Front panel (x1)



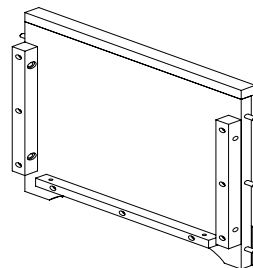
B – Back panel (x1)



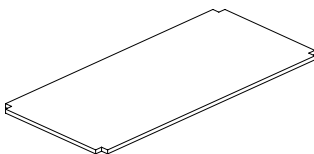
C – Left side panel (x1)



D – Right side panel(x1)

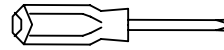


E – Bottom Panel (x1)



TOOLS REQUIRED:

Phillips head screwdriver (not included)



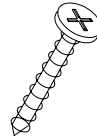
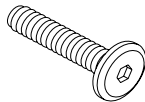
H - Allen Key (included)



HARDWARE:

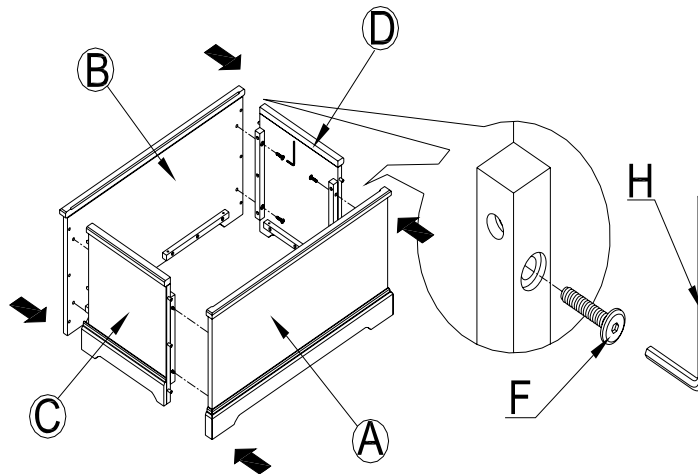
F –Allen Bolts 1/4"x 28 x15mm (x8)

G–Phillips head screws 8x25mm (x12)

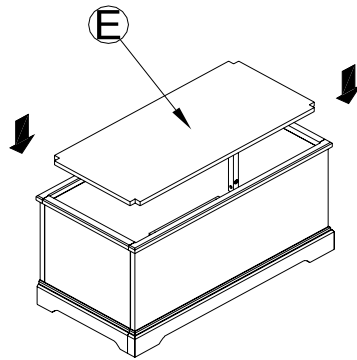


ASSEMBLY:

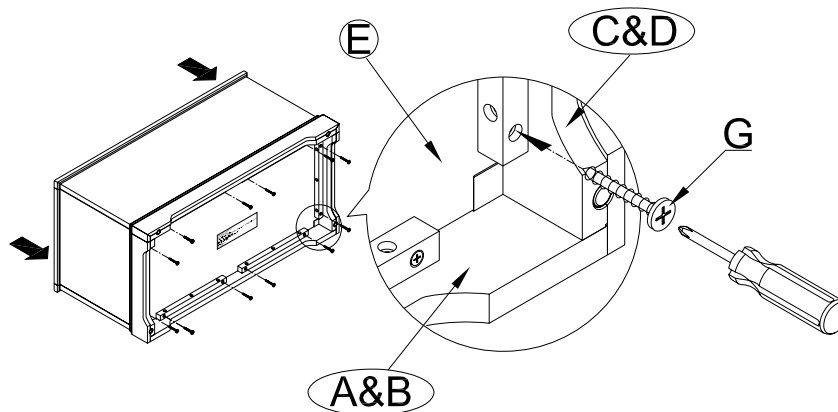
1. On a soft, scratch-free surface such as carpet or rug, lay the Front panel (A) , Back panel (B) , left side panel (C) and Right side panel (D) as shown , attach them using 8pcs Allen Bolts 1/4"x 28 x15mm (F) and Allen Key (H). See illustration.



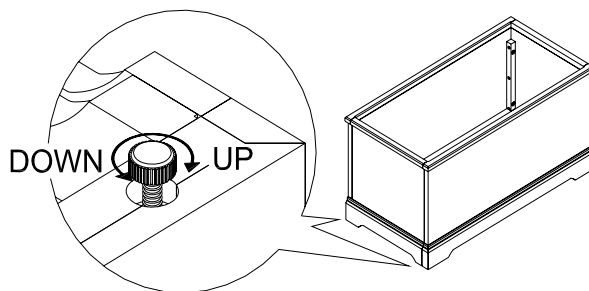
2. Put the Bottom panel (E) into the open toy box as shown carefully.



3. Carefully lay the Toy Box on a soft, scratch-free surface as shown in illustration. This position will make assembly easier. **Make sure the warning label apply to the bottom of Toy Box inside raised area.** And fix the Bottom panel (E) to the Front panel (A) , Back panel (B) , left side panel (C) and Right side panel (D) using 12pcs Phillips head screws 8x25mm (G).



Caution: adjust levelers on the bottom of the unit in or cut to ensure that it stand secure and does not rock.



Thank you for your purchase

stores | catalog | www.potterybarnkids.com