

pottery barn kids

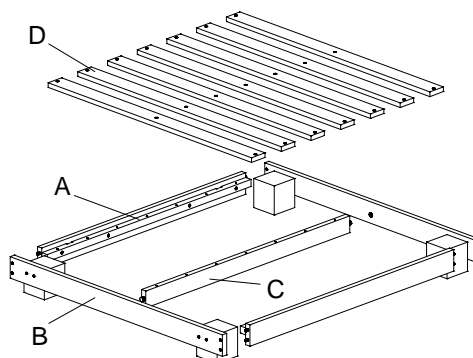
CHESAPEAKE SQUARE LOUNGE FRAME

PRE-ASSEMBLY:

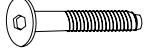

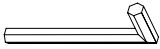
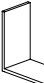
- Read all instructions before beginning assembly. The illustrations provided allow for easier assembly when used in conjunction with the assembly instructions.
- For your safety and ease, assembly by two adults is recommended.
- Remove all part and hardware from the box and lay out on a clean, carpeted, or scratch- free work surface. Use care as some parts or hardware may have sharp points or edges.
- Do not dispose of any contents until assembly is completed to avoid accidentally discarding small parts and hardware.
- Use the parts and hardware lists to identify and separate each of the pieces included.
- Note: Do not fully tighten all bolts until all parts are in place. Failure to follow these instructions may cause the bolts misalign during assembly.
- The use of power tools for assembly is not recommended. Power tools can damage hardware or split wood.

PARTS INCLUDED:

- | | |
|------------------------|-----|
| (A) Side Rails | (2) |
| (B) Front / Back Rails | (2) |
| (C) Center rail | (2) |
| (D) Slats | (7) |

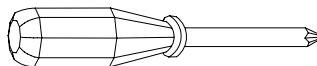


HARDWARE INCLUDED:

- | | | |
|------------------------------|------|---|
| (E) Bolt 40mm | (8) |  |
| (F) Screws ø8 x 31.75mm | (23) |  |
| (G) 4mm Allen Key | (1) |  |
| (H) U-Shaped Metal connector | (2) |  |

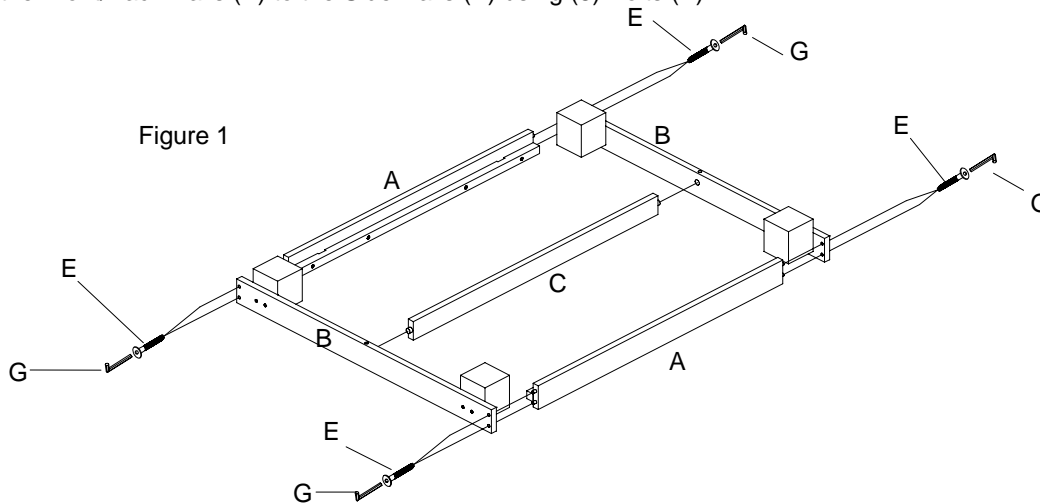
TOOLS REQUIRED:

Phillips head screwdriver (not included)



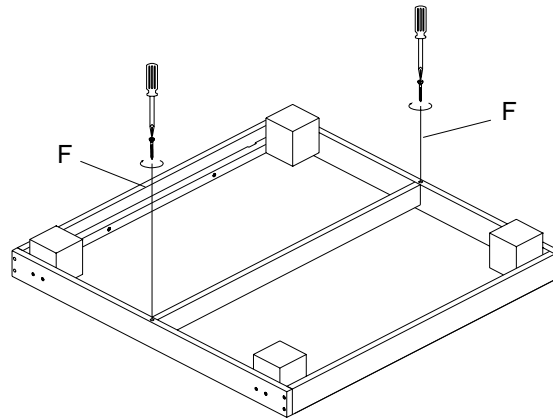
ASSEMBLY INSTRUCTIONS:

1. Place Front/Back Rails (B), Side Rails (A), and Center Rail (C) upside down, as shown in Fig. 1. Secure the Front/Back Rails (B) to the Side Rails (A) using (8) Bolts (E).



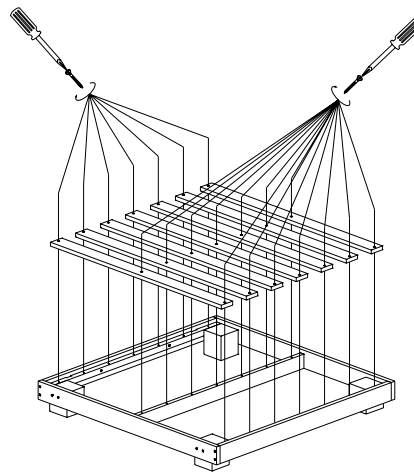
- Secure the Center Rail (C) to the Front/Back Rails (A) with Screws (F), using Philips Head Screwdriver as shown in Fig. 2.

Figure 2



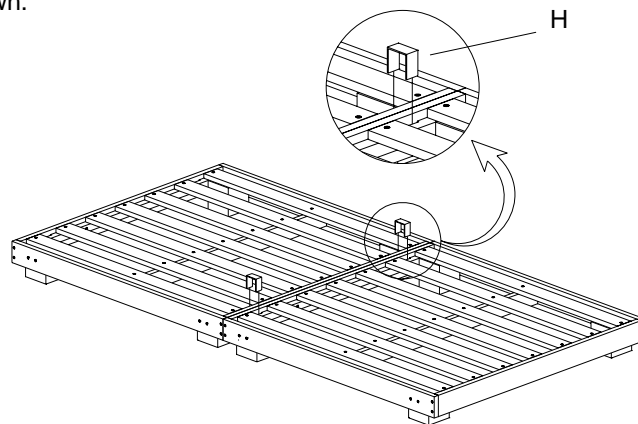
- Turn the lounge frame upright. Secure the Slats (D) to the frame with Screws (F), using Philips Head Screwdriver. Tighten all screws and bolts.

Figure 3



- Two or more Square Lounge Frames can be joined together, if desired, using (2) U-Shaped Metal Connectors (H) as shown.

Figure 4



CARE INSTRUCTIONS:

- For daily care wipe with a soft dry cloth. Blot Spills immediately and wipe with a clean dry cloth.
- Store in a dry, covered area when not in use.
- We do not recommend the use of chemical cleansers, abrasives, or furniture polish.
- Over time, the product may begin to gray. To nourish the wood, wash with soap and water. When dry, apply a coating of teak oil with a clean cloth. Remove excess oil by blotting with a soft, clean cloth.

Thank you for your purchase
Stores | catalog | www.potterybarnkids.com
USA 1.800.290.8181