

# pottery barn kids

## ERGO CHAIR

### Parts Included:

- (2) Arm Rest (C)
- (1) Tilt Mechanism (E)
- (1) Star Base (G)
- (5) Caster (H)
- (1) Piston (I)
- (1) Seat (J)

### Hardware Enclosed:

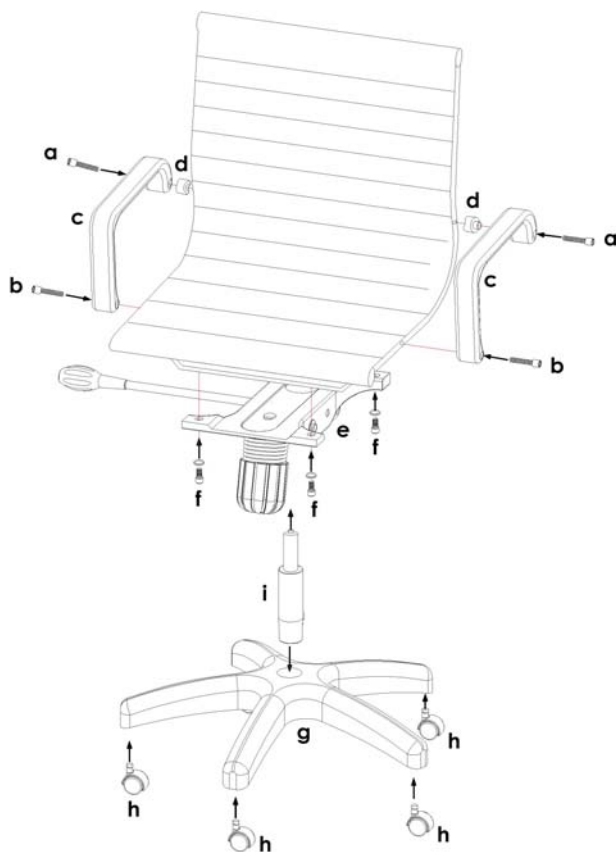
- (2) 8mm x 55mm Long Bolts (A)
- (2) 8mm x 45mm Medium Bolts (B)
- (2) Bushing (D)
- (2) 8mm x 20mm Short Bolts with Washers (F)

### Tools Required for Assembly:

- (1) Allen wrench, included

### PRE-ASSEMBLY:

- Remove all parts and hardware from the box and lay out on a clear carpeted or scratch-free work surface, as this will avoid damaging parts during assembly. The shipping box provides an ideal work surface.
- We recommend adult assembly by two people.
- Use the parts and hardware lists to identify and separate each of the pieces included prior to starting assembly.
- The illustrations provided allow for easier assembly when used in conjunction with the assembly instructions.
- Do not fully tighten all bolts until all parts are in place. Failure to follow these instructions may cause the bolts to misalign during assembly. If using power tools to aid in assembly please use caution. Power tools can damage hardware or split the product.



### Assembly Instructions:

1. Attach arms with Long Bolts (A) and Bushing (D) in the back of the arm and Medium Bolts (B) in the front of the arm. Use the Allen Key (K) to tighten bolts.
2. Attach seat Tilt Mechanism (E) to the underside of the seat with 4 Short Bolts and Washers (F). Be sure that seat controls are facing forward as shown in the drawing.
3. Snap Casters (H) into the Star Base (G).
4. Firmly push Piston (I) into hole on the Star Base. Place completed Seat Mechanism from Step 2 onto the top of the Piston (J).

### Care Instructions:

- Wipe with a soft dry cloth.
- Avoid the use of harsh cleaners and abrasives.

Thank you for your purchase  
Stores | catalog | [www.potterybarnkids.com](http://www.potterybarnkids.com)