

# pottery barn kids

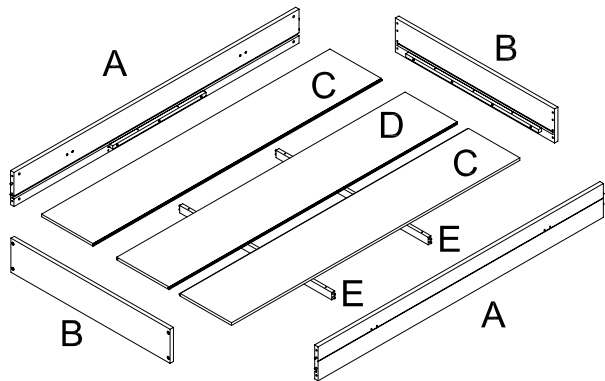
## PIRATE BED TRUNDLE

### PRE-ASSEMBLY:

- Read all instructions before beginning assembly. The illustration provided allow for easier assembly when used in conjunction with the assembly instructions.
- For your safety and ease, assembly by two adults is recommended.
- Remove all parts and hardware may have sharp points or edges.
- Do not dispose of any contents until assembly is completed to avoid accidentally discarding small parts or hardware.
- Use the parts and hardware lists to identify and separate each of the piece included.
- Note: Do not fully tighten all bolts until all parts are in place. Failure to follow these instructions may cause the bolts to misalign during assembly.
- The use of power tools for assembly is not recommended. Power tools can damage hardware or split wood.

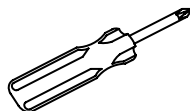
### PARTS INCLUDED:

- A – Long side panel (2)
- B – Short side panel (2)
- C – Left and Right Board (with extra holes) (2)
- D – Center Bottom Board (1)
- E – Cross bar (2)



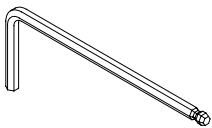
### TOOLS REQUIRED:

Phillips screw driver (not included)

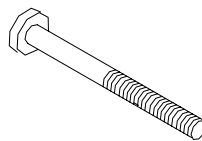


### HARDWARE INCLUDE

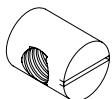
F –Allen Key (1)



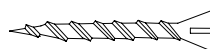
G –Long bolt 1/4 "x2-1/2"x13.5mm (8)



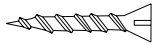
H –Barrel nut 1/4"x15x9.5mm (8)



I –Large Phillips head screw 8x38mm (12)



J – Small Phillips head screw 8x25mm (10)



K – Pan head screw 8x17mm (24)



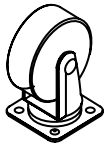
L – Flat head screw 5/32"x16mm (8)



M – Trundle handle 92x40x22mm (4)

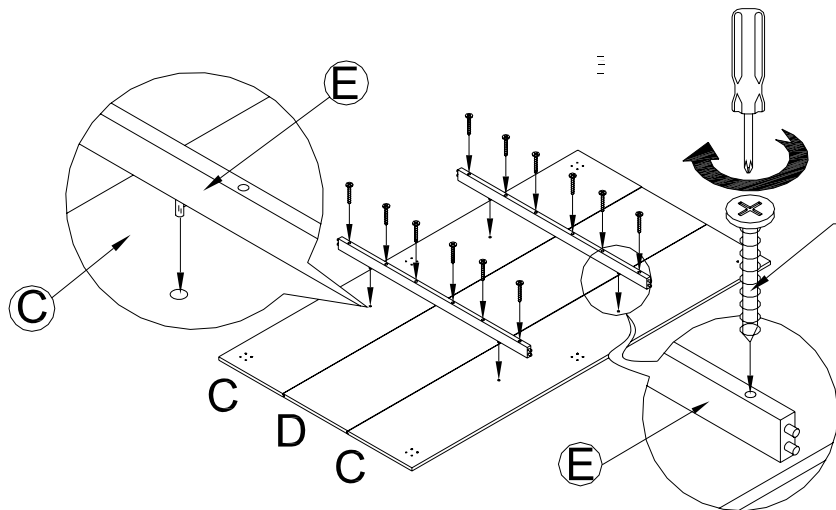


N –Caster 50x50x65mm (6)

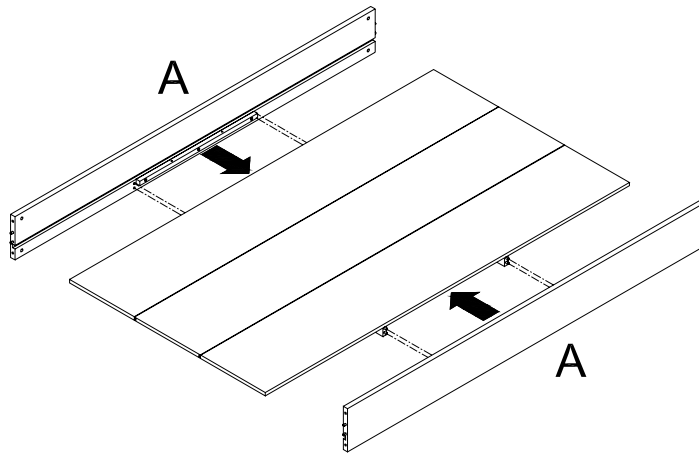


#### ASSEMBLY:

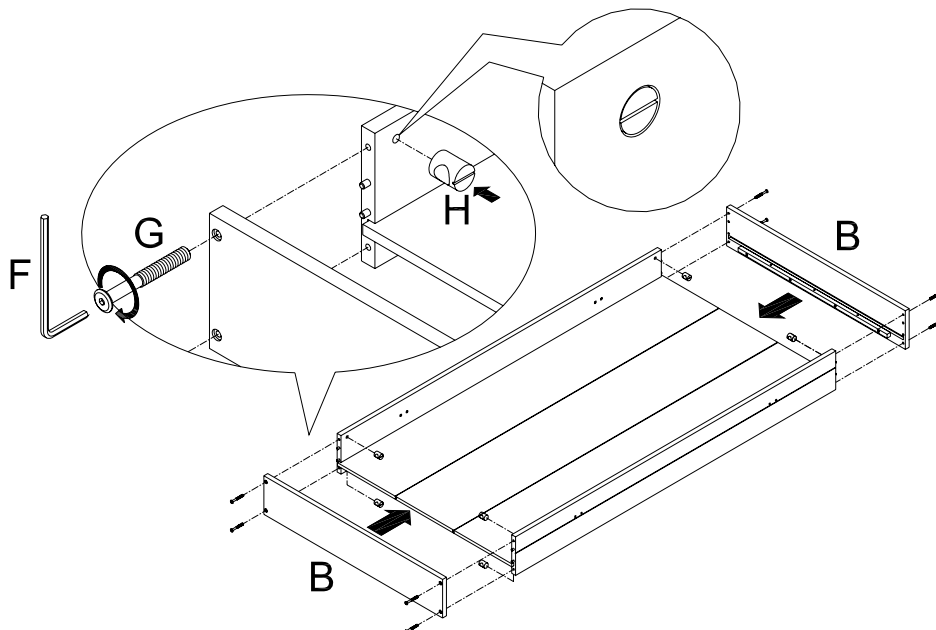
1. Place the left and right bottom panel (C) on either side of the Center bottom board (D) with the pre-drilled holes facing up as shown. Attach Cross bar (E) to the bottom boards by inserting Large Phillips head screw 8x38mm (I) into the pre-drilled holes of each cross bar, tightening with a phillips screwdriver.



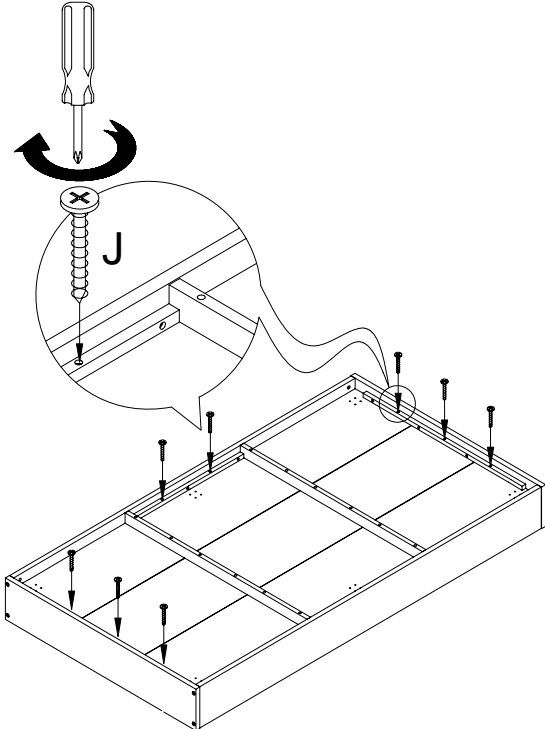
2. Turn assembled base right side up, Insert the wooden dowels on the ends of the Cross bars (E) into the pre- drilled holes on the Long side panel (A) as shown. Press firmly to ensure the left and right Bottom boards (C ) sit in the slots of the Long side panel (A).



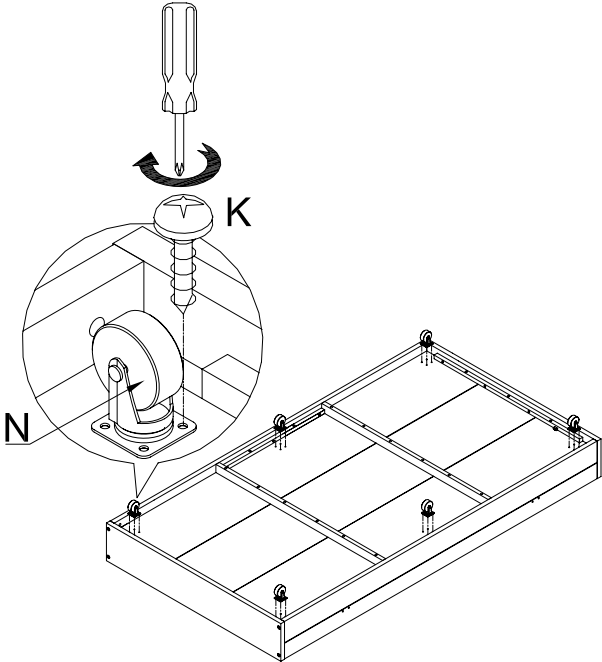
3. Align the pre-drilled holes on the Short side panel (B) to the wooden dowels on ends of the Long side panel (B) . insert the Allen bolts (G) into the pre-drilled hols on the Short side panel (B) . place barrel nut (H) in the corresponding opening on the Long side panel(B) . use Allen key (F) to connect as shown. Repeat with the remaining bolts.



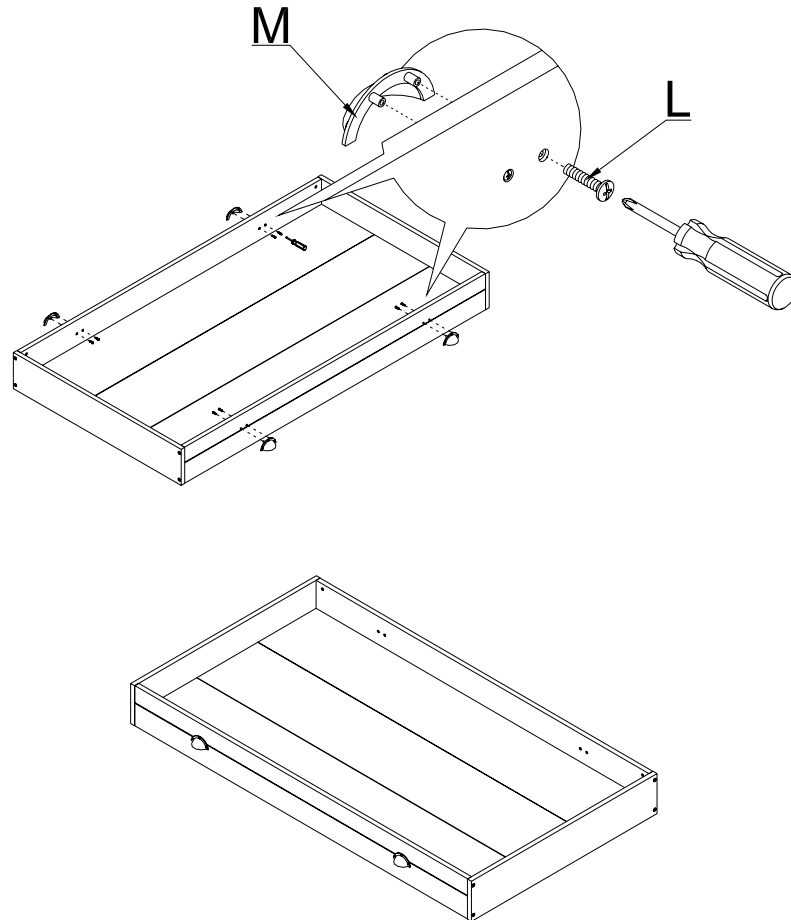
4. Turn trundle upside down. Secure bottom boards with the Long/Short side panel using the Small Phillips head screw 8x25mm (J).



5. Attach the Caster (N) to pre-drilled holes on the Bottom Board using 24pcs Pan head screw 8x17mm (K).



6. Fasten the Trundle Handles (M) to the trundle using Flat Head Screws (L), assembly completed.



**CARE INSTRUCTION:**

- Dust often using a clean, soft, dry lint-free cloth.
- Blot spills immediately, and wipe with a clean, damp, cloth.
- We do not recommend the use of chemical cleansers, abrasives, or furniture polish on our lacquered finish.

Thank you for your purchase

stores | catalog | [www.potterybarnkids.com](http://www.potterybarnkids.com)