

# pottery barn kids

## OLIVIA DRESSER TOWER

### PRE-ASSEMBLY:

- Please read all instructions before beginning assembly. The illustrations provided allow for easier assembly when used in conjunction with the assembly instructions.
- For your safety and ease, assembly by two adults is recommended.
- Remove all parts and hardware from box and lay out on a carpeted or scratch-free work surface, as this will avoid damaging any parts during assembly. The shipping box provides an ideal work surface. Do not dispose of any contents until assembly is completed to avoid accidentally discarding email parts or hardware.
- Use the parts and hardware lists to identify and separate each of the pieces included.
- Note: Do not fully tighten all bolts until all parts are in place. Failure to follow these instructions may cause the bolts to misalign during assembly.
- The use of power tools for assembly is not recommended. Power tools can damage hardware or split wood.

### PARTS INCLUDED:

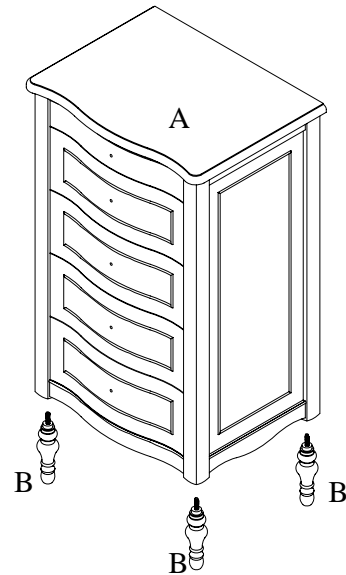
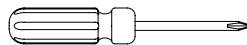
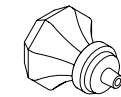
- (A) Dresser Tower - 1pc
- (B) Leg - 4pcs

### HARDWARE ENCLOSED:

- (C) Knob - 5pcs
- (D) #4x15mm Screw - 5pcs
- (E) Flat Washer - 5pcs

### TOOLS REQUIRED:

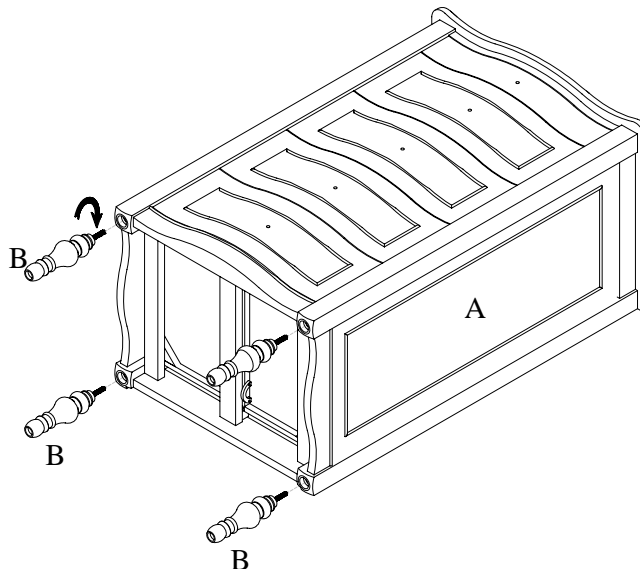
Phillips head screwdriver (not included)



### ASSEMBLY INSTRUCTIONS:

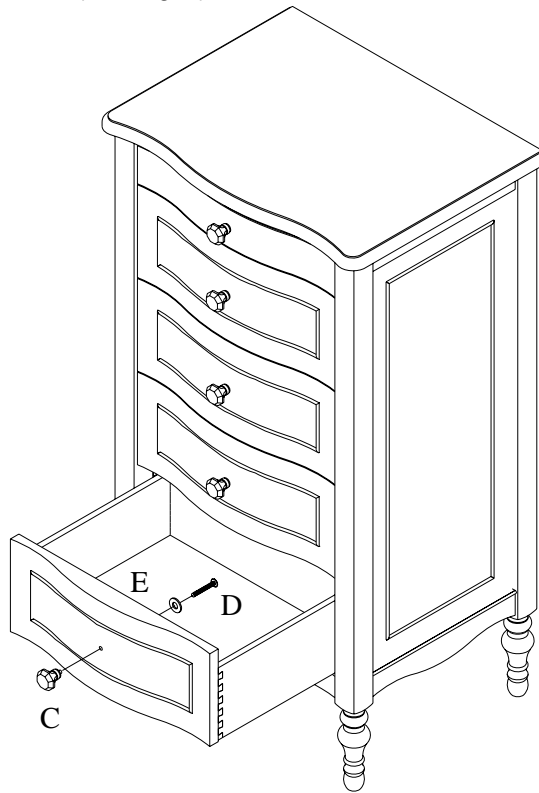
1. Lay Dresser Tower (A) down on a soft surface such as a carpet. Attach the Legs (B) to the Dresser Tower (A) (see Fig.1).

(Fig. 1)



2. Turn the Dresser Tower (A) upright. Fasten Knobs (C) to drawer fronts using Screws (D) and Flat Washers (E) as shown. Tighten with Phillips Head Screwdriver. (See Fig .2)

(Fig 2.)

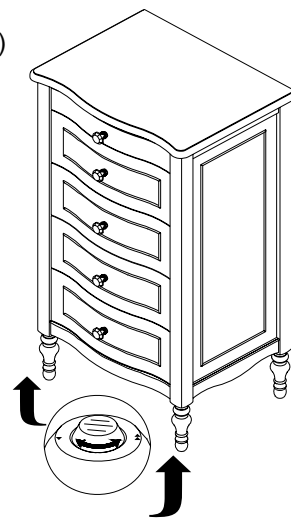


3. As a safety precaution, please follow the instructions enclosed to secure the dresser to the wall using tipping-restraint kit included.

4. If your floor is not perfectly even, the furniture may not sit level. Determine which corner does not touch the ground correctly. With two people follow these steps:

- Carefully elevate the item slightly to provide access to the levelers attached to the bottom.
- Turn the levelers in a counter-clockwise direction.
- Gently set down the piece and check stability.
- Repeat steps until the furniture sits firmly on the ground. (See Fig.3)

(Fig 3)



**CARE INSTRUCTIONS:**

- Dust often using a clean, soft, dry lint-free cloth.
- Blot spills immediately, and wipe with a clean, damp, cloth.
- We do not recommend the use of chemical cleansers, abrasives, or furniture polish on our lacquered finish.

Thank you for your purchase  
stores | catalog | [www.potterybarnkids.com](http://www.potterybarnkids.com)  
USA 1.800.290.8181