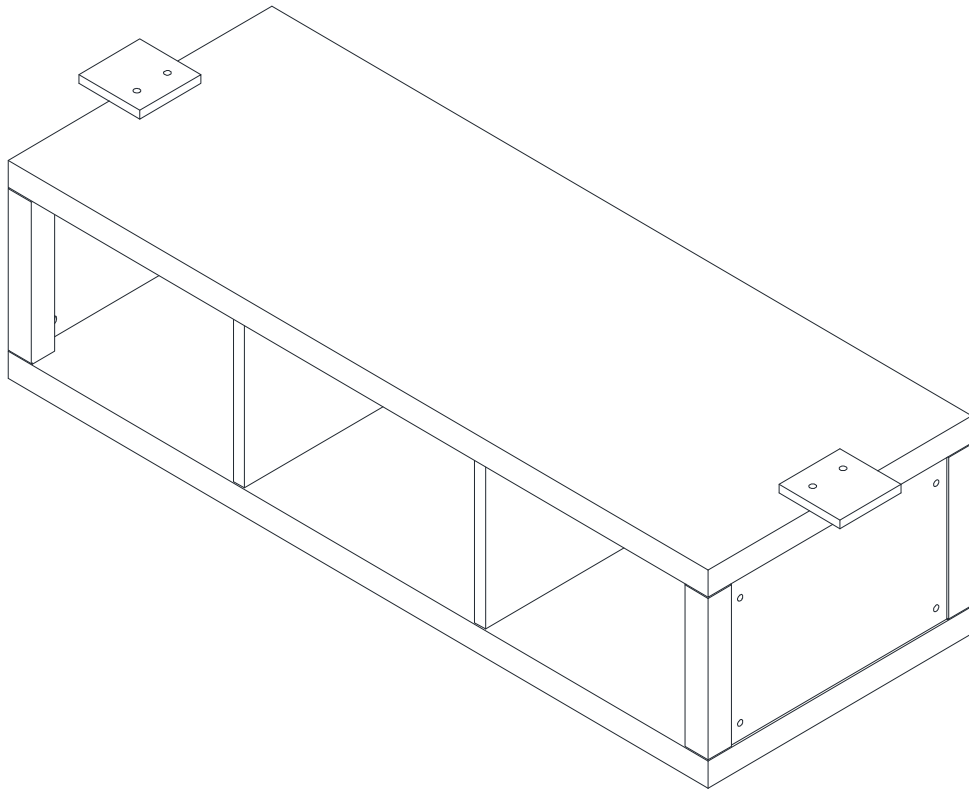


pottery barn kids



**PRESTON MEDIA BRIDGE**

[www.potterybarnkids.com](http://www.potterybarnkids.com)

**Important Safety Instructions:**

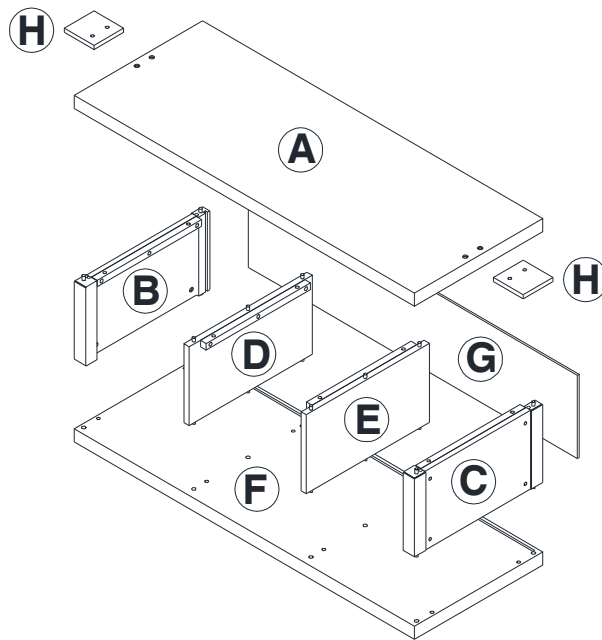
- Please read all instructions carefully before assembling this Wall Bridge.
- For your safety, assembly by two or more adults is strongly recommended.
- Keep these instructions for future use.
- Use only vendor-supplied hardware to assemble this item. Using unauthorized hardware could jeopardize the structural integrity of the item.

**Pre-assembly:**

- Remove all parts and hardware from the box. Place all items on a carpeted or scratch-free work surface, as this will avoid damaging parts during assembly. The shipping box provides an ideal work surface.
- To avoid accidentally discarding small parts or hardware, do not dispose of any packaging or contents of the shipping carton until assembly is complete.
- Use the parts and hardware lists below to identify and separate each of the pieces included.
- The illustrations provided allow for easier assembly when used in conjunction with the assembly instructions.
- The use of power tools to aid in assembly is not recommended. Power tools can damage the hardware and split the wood.

**Parts Included:**







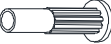
- (A) Top Panel (1x)
- (B) Left Side Panel (1x)
- (C) Right Side Panel (1x)
- (D) Left Divider (1x)
- (E) Right Divider (1x)
- (F) Bottom Panel (1x)
- (G) Back Panel (1x)
- (H) Connecting Pad (2x)





**Parts Required:**

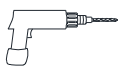
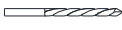
Other Preston Tall Units (Tall Bookcases/Cabinet Hutches/Bookcase Hutches) and/or Media Bases ([sold separately](#))

**Hardware Included:**

 (I) Allen Key – 1x	 (J) Long Bolt (1/4"x45mm) – 8x	 (K) Short Bolt (1/4"x28mm) – 12x
 (L) Spring Washer (1/4") – 20x	 (M) Flat Washer (1/4") – 20x	 (N) Connecting Screw(M4x20mm)– 4x
 (O) Sleeve Nut (M4x28mm) – 4x		

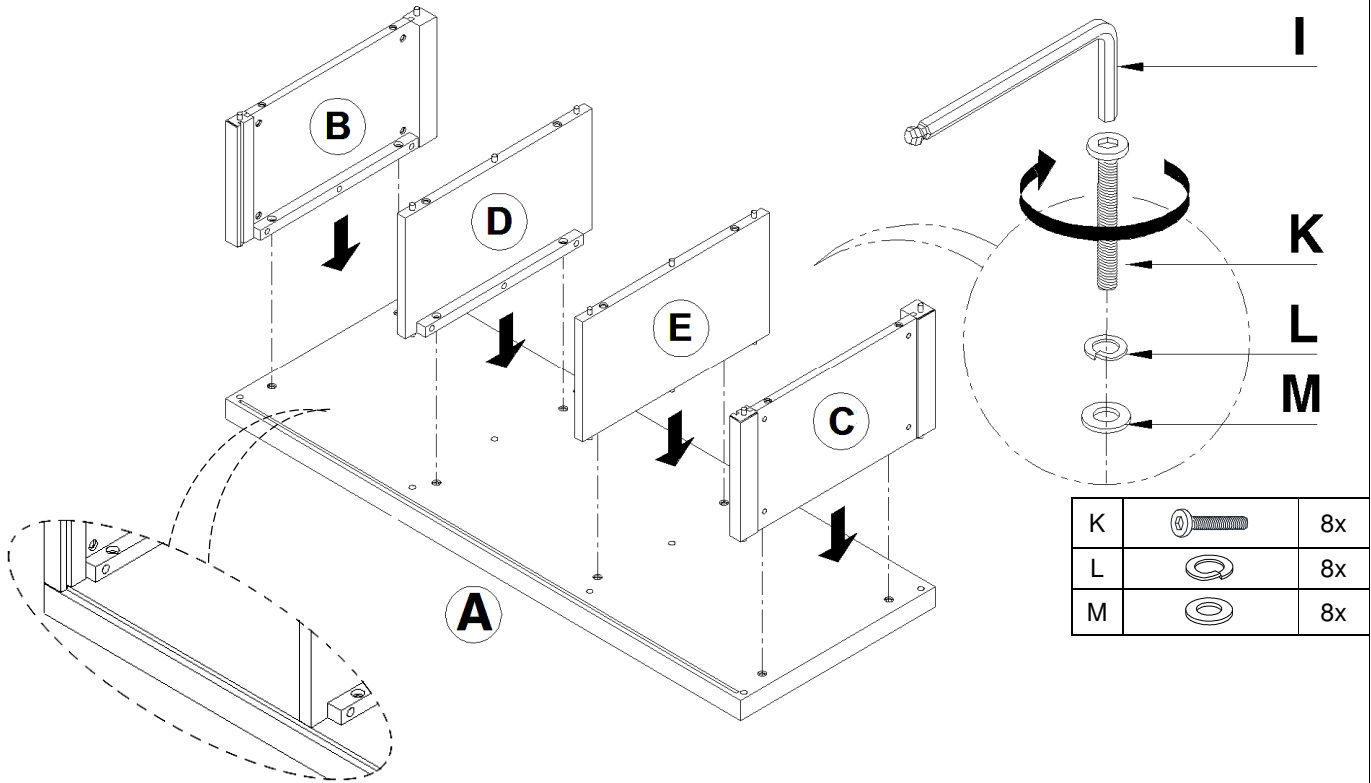
**Tools Required:**

Philips Head Screwdriver (not included)   
 Drill Bit Φ2mm (not included) 

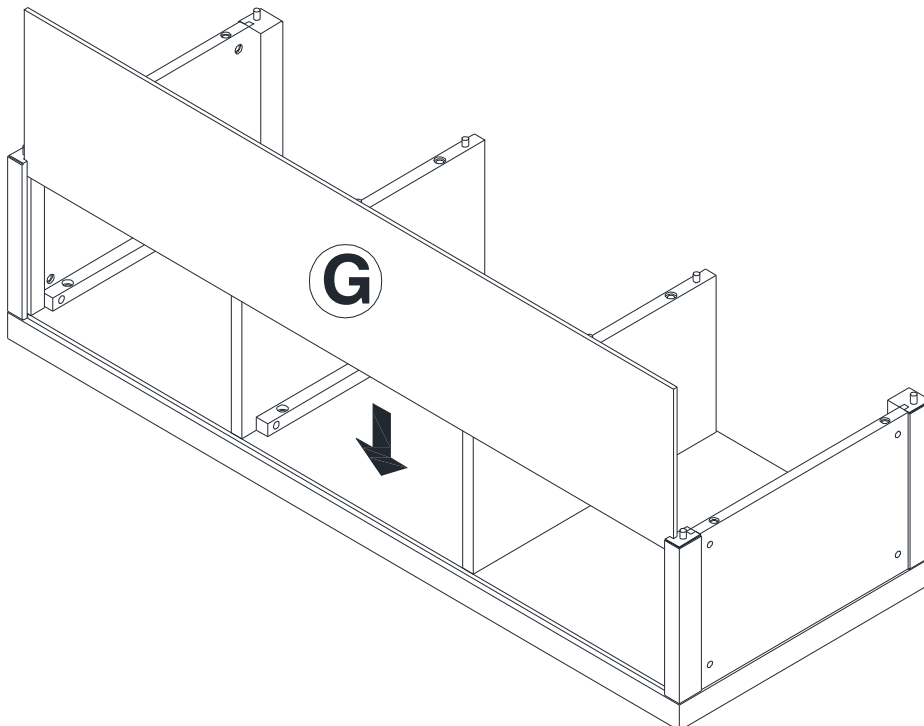
Power Drill (not included)   
 Drill Bit Φ6mm (not included) 

**Assembly Instruction Steps:**

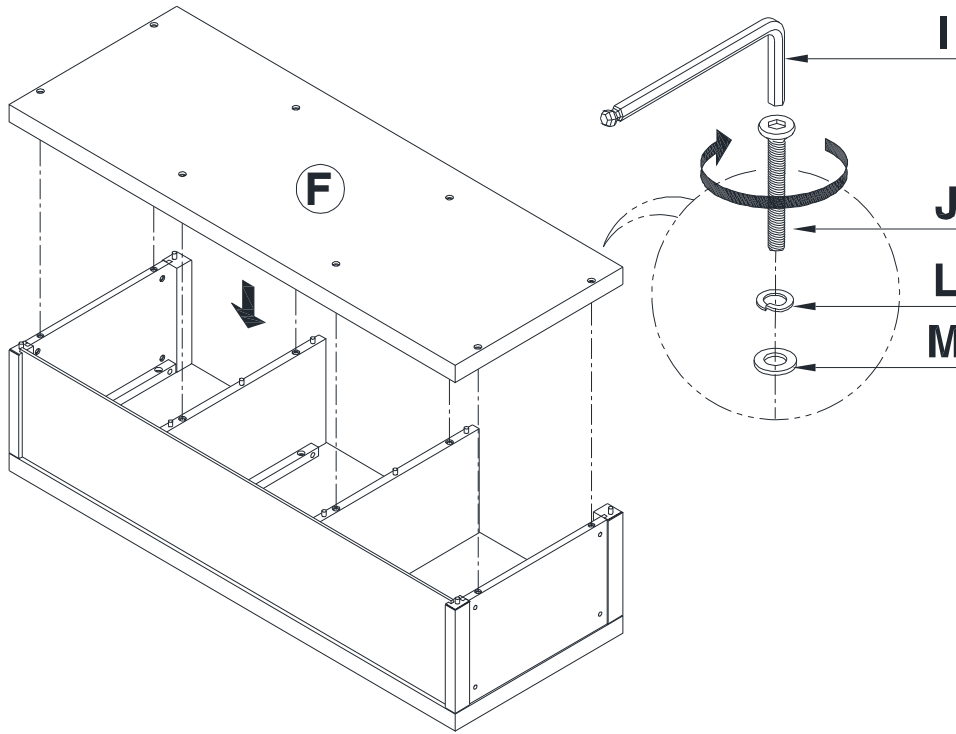
1. Attach the Left Side Panel (B), Left Divider (D), Right Divider (E), and Right Side Panel (C) to the Top Panel (A), with the pre-drilled holes and exposed dowels aligned. Make sure the grooves on the Side Panels and Back edge of the Dividers align with the groove on the rear side of Top Panel (A), as seen in the illustration below.
2. Insert 8 sets of: Short Bolts (K), Spring Washer (L), and Flat Washer (M), as seen in the illustration below.
3. Loosely tighten with Allen Key (I). **Do not over tighten.**






4. Slot Back Panel (G) into the groove of the Side Panels and Top Panel, as seen in the illustration below.

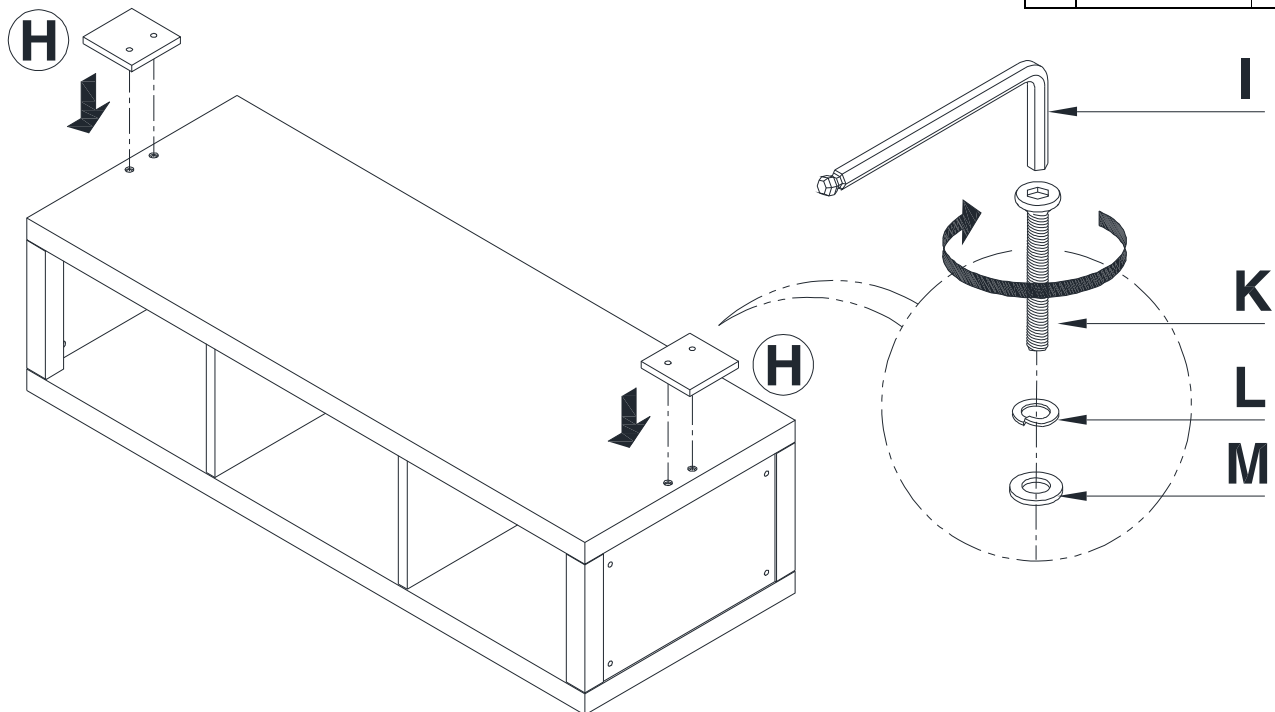




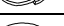
5. Attach the Bottom Panel (F) onto the assembled piece, with the pre-drilled holes and exposed dowels aligned.
6. Insert 8 sets of: Long Bolts (J), Spring Washer (L), Flat Washer (M), as seen in the illustration below.
7. Loosely tighten the Bolts with Allen Key (I).
8. Check alignments before tightening all bolts.



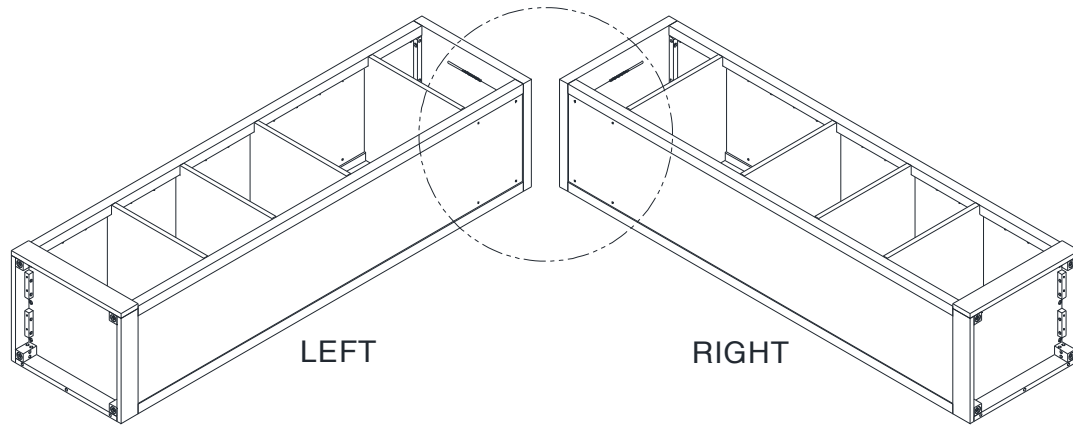
J		8x
L		8x
M		8x

9. Attach 2 Connecting Pads (H) with 4 sets of: Short Bolt (K), Spring Washer (L), and Flat Washer (M), as seen in the illustration below.
10. Tighten with Allen Key (I).

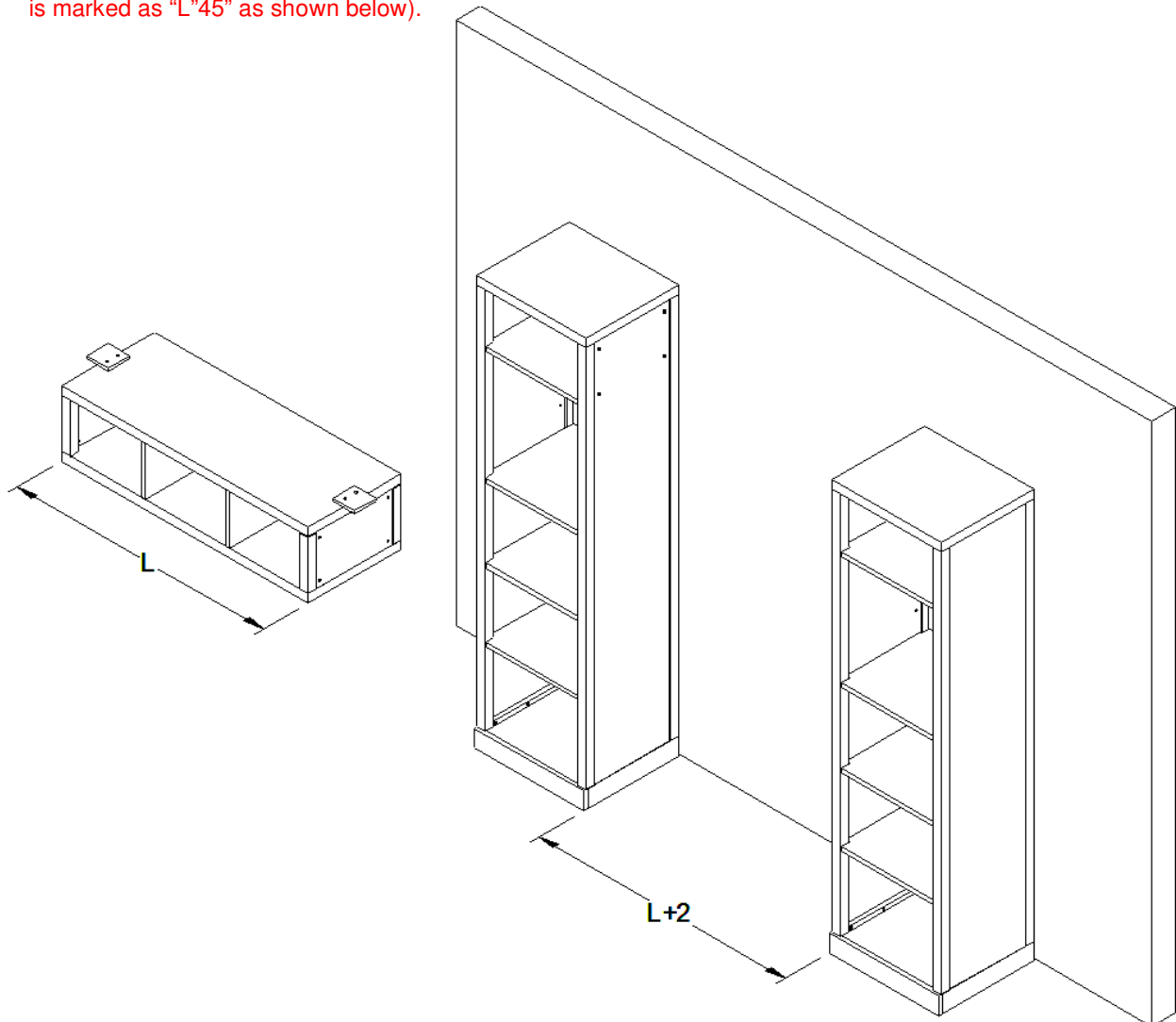


K		4x
L		4x
M		4x

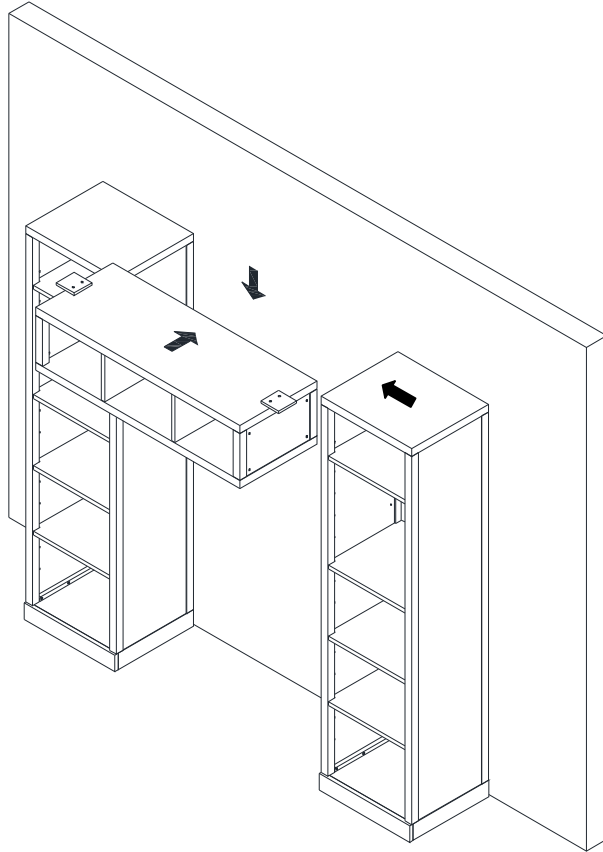
11. Before attaching the Bridge to the 2 Tall Bookcases (**sold separately**), make sure the upper 4 holes on the Side Panel of each Bookcase are drilled through. Follow separate assembly instructions of the Tall Bookcase.



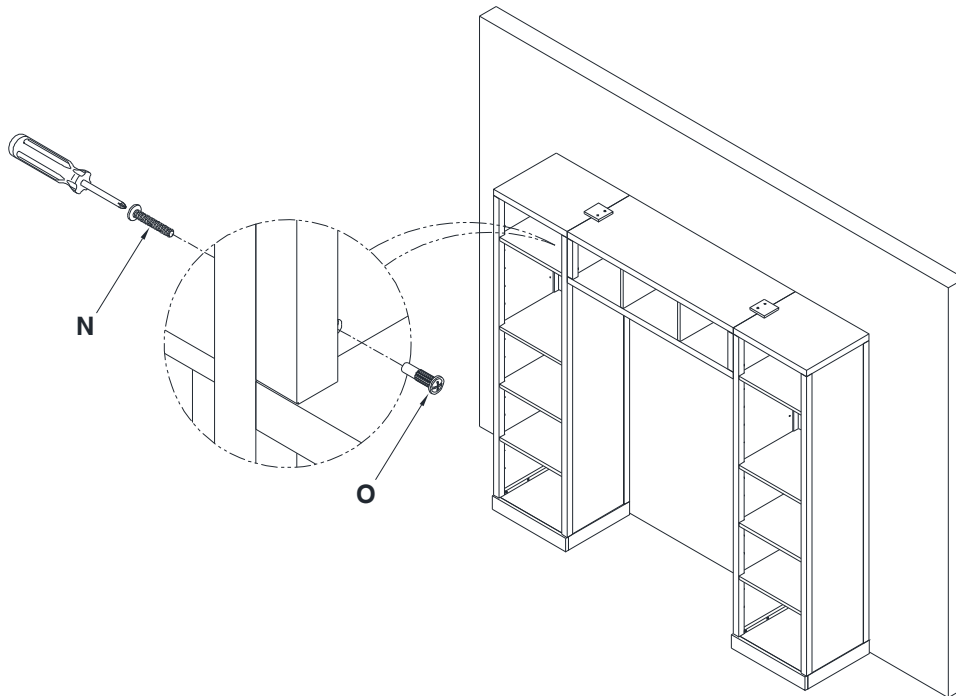
12. Stand the Tall Bookcases upright and place the Tall Bookcases against the wall.  
13. Determine the desired location of the Bridge.  
14. With the help of another person, adjust the levelers located on the bottom of the Bookcases to keep the units level.  
15. **NOTE: Installation of the Anti Tip Kit is REQUIRED.** Please follow the separate instructions to secure one Tall Bookcase to the wall using tipping-restraint kit included.  
16. Place the second bookcase approximately 47" from the first bookcase as shown below (The width of the Bridge is marked as "L"45" as shown below).



- 17. Place the Bridge on top of the Bookcases, as seen below.
- 18. Slowly slide the Bridge and unmounted bookcase toward the mounted bookcase, until all 3 units are touching.

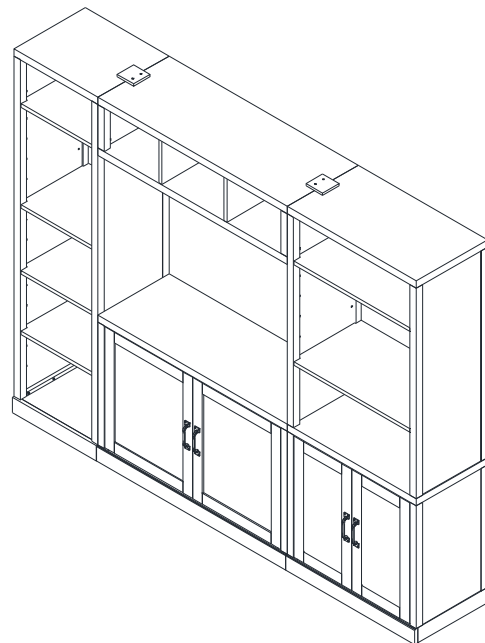
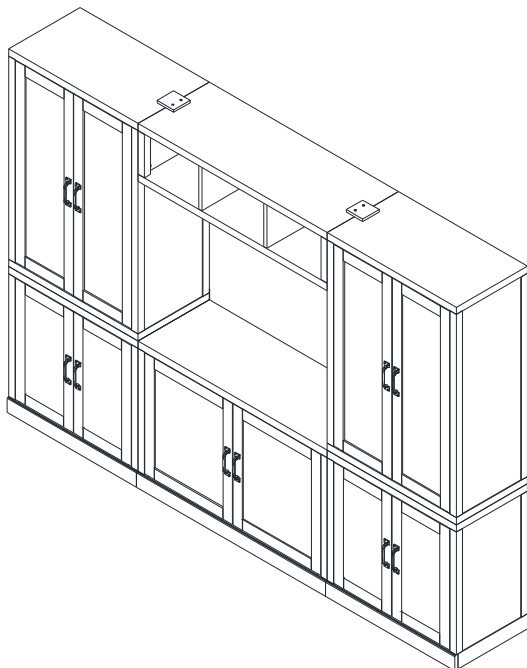
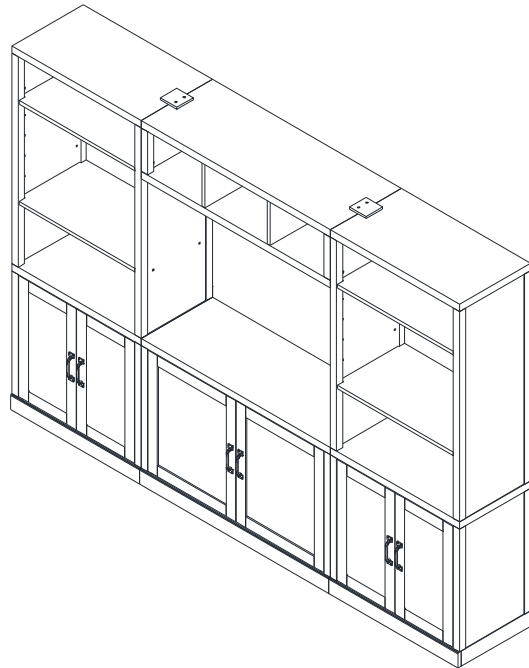
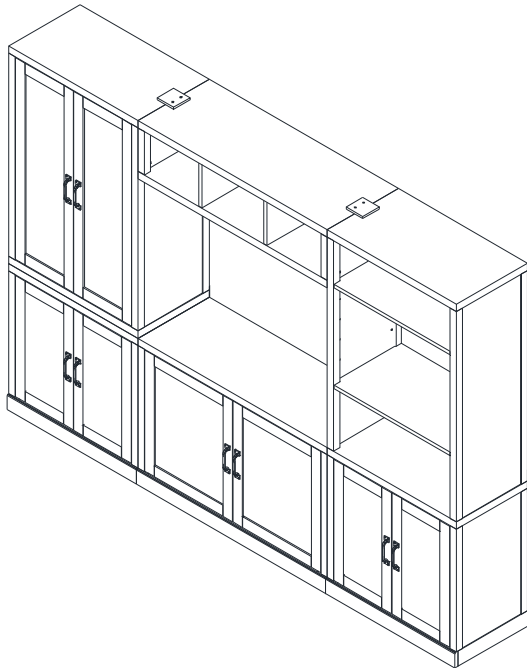


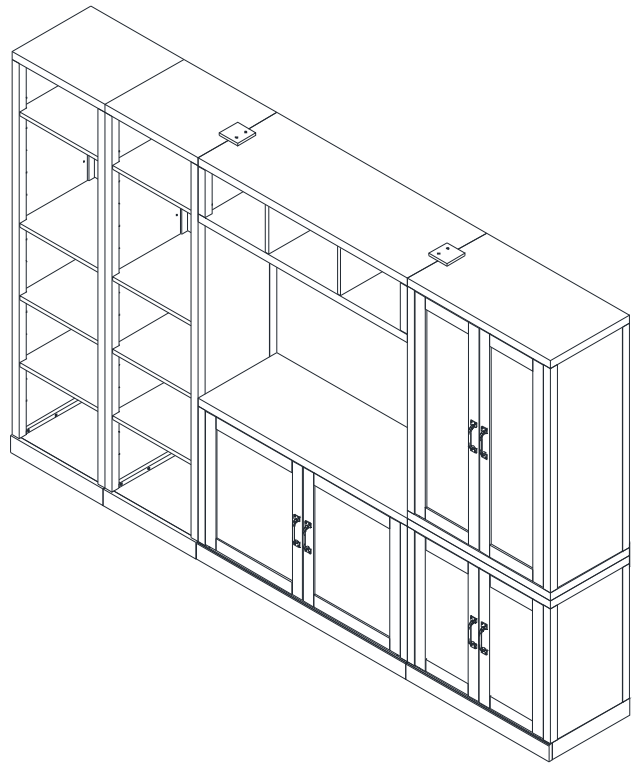
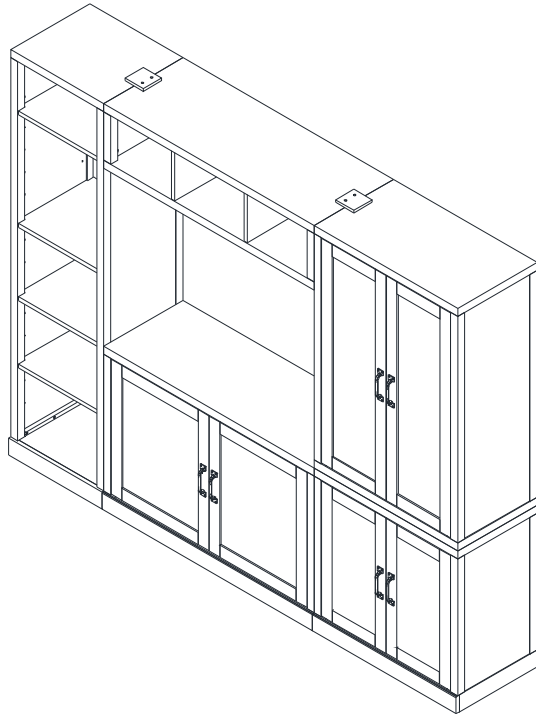
- 19. Attach the Bridge to the Bookcases using 8 sets of Connecting Bolts (N) and Sleeve Nuts (O), as seen in the illustration below. (4 sets are included with Bridge and the other 4 sets belong to the Bookcases).
- 20. Do not fully tighten the Connecting Bolts until all Connecting Bolts (N) & Sleeve Nuts (O) are in place.
- 21. Tighten with a Phillips Head Screwdriver (not included). Do not over tighten.



N		8x
O		8x

22. **NOTE: Installation of the Anti Tip Kit is REQUIRED. Please follow the separate instructions to secure the second Tall Bookcase to the wall using tipping-restraint kit included**
23. Assembly is now complete.
24. Keep all the assembly instructions for future reference just in case there is a need to rearrange the Preston system units.
25. The arrangement of the Preston system units includes, but is not limited to the following combinations:





**Care Instructions:**

- Dust often using a clean, soft, dry, and lint-free cloth.
- Blot spills immediately and wipe with a clean, damp cloth.
- We do not recommend the use of chemical cleansers, abrasives, or furniture polish on our lacquered finish.
- Hardware may loosen over time. Periodically check to make sure all connections are tight. Re-tighten if necessary.

Thank you for your purchase  
Stores | catalog | [www.potterybarnkids.com](http://www.potterybarnkids.com)  
USA 1.800.290.8181