

pottery barn kids

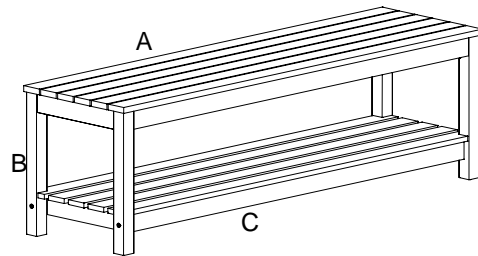
BENNETT BENCH

PRE-ASSEMBLY:

- Read all instructions before beginning assembly. The illustrations provided allow for easier assembly when used in conjunction with the assembly instructions.
- For your safety and ease, assembly by two adults is recommended.
- Remove all part and hardware from the box and lay out on a clean, carpeted, or scratch-free work surface. Use care as some parts or hardware may have sharp points or edges.
- Do not dispose of any contents until assembly is completed to avoid accidentally discarding small parts and hardware.
- Use the parts and hardware lists to identify and separate each of the pieces included.
- Note: Do not fully tighten all bolts until all parts are in place. Failure to follow these instructions may cause the bolts misalign during assembly.
- The use of power tools for assembly is not recommended. Power tools can damage hardware or split wood.

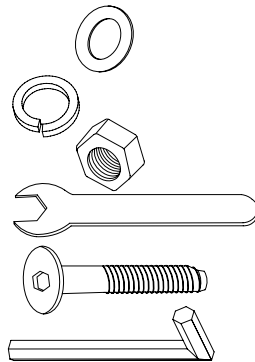
PARTS INCLUDED:

- (A) Top (1)
- (B) Leg (4)
- (C) Bottom Tray (1)



HARDWARE INCLUDED:

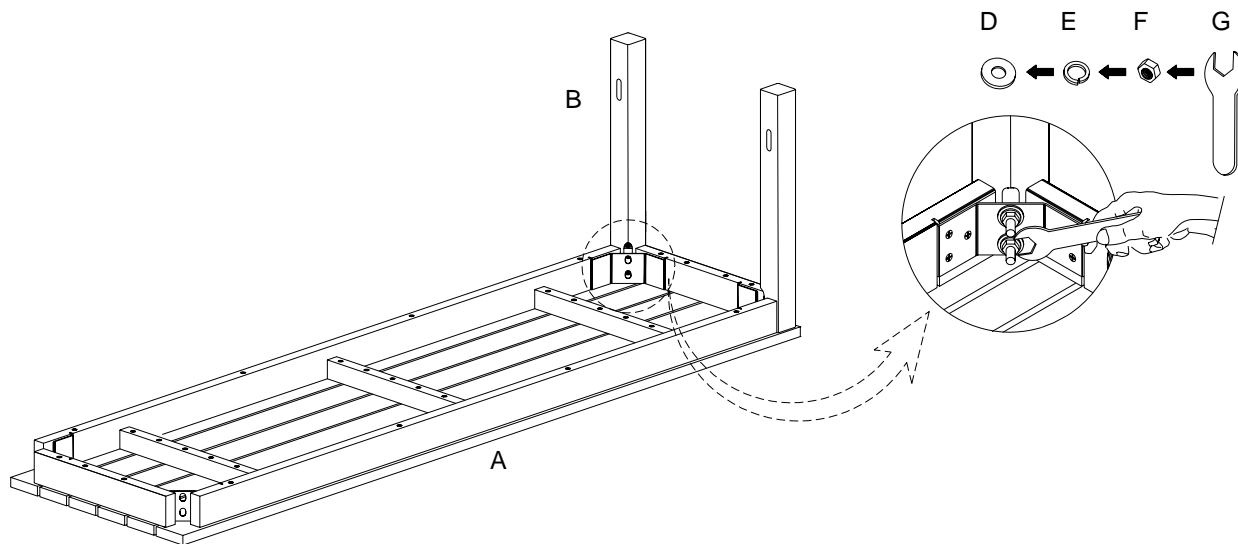
- (D) Flat Washer (8)
- (E) Spring Washer (8)
- (F) Nut (8)
- (G) Wrench (1)
- (H) Bolt 60mm (4)
- (I) 4mm Allen Key (1)



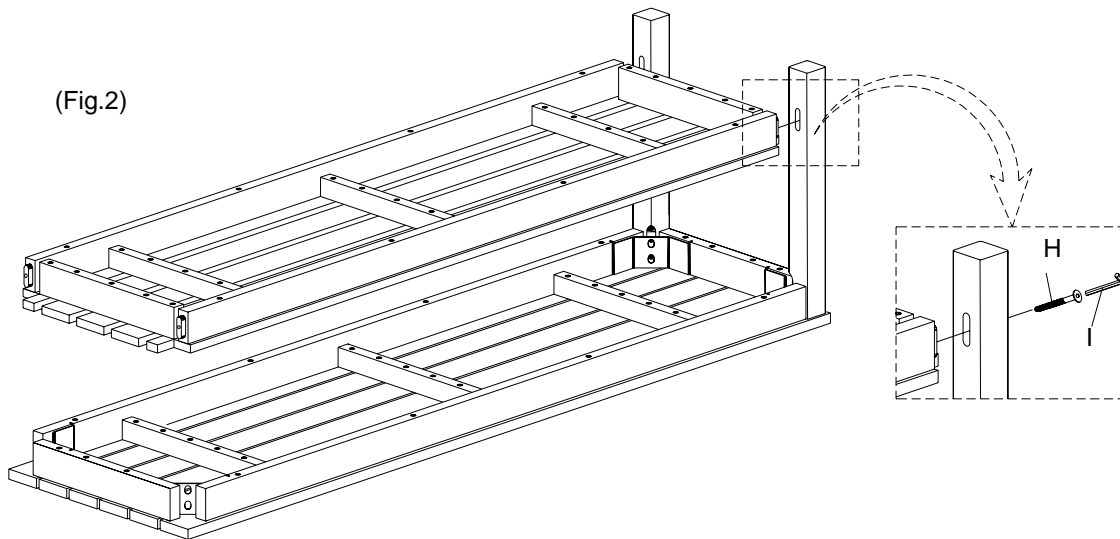
ASSEMBLY INSTRUCTIONS:

1. Place the Table Top (A) upside down in the flat surface. Secure the first (2) legs (B) with (2) washer (E), (2) spring washer (F), and (2) nut (G) for each leg. Do not tighten the nuts yet.

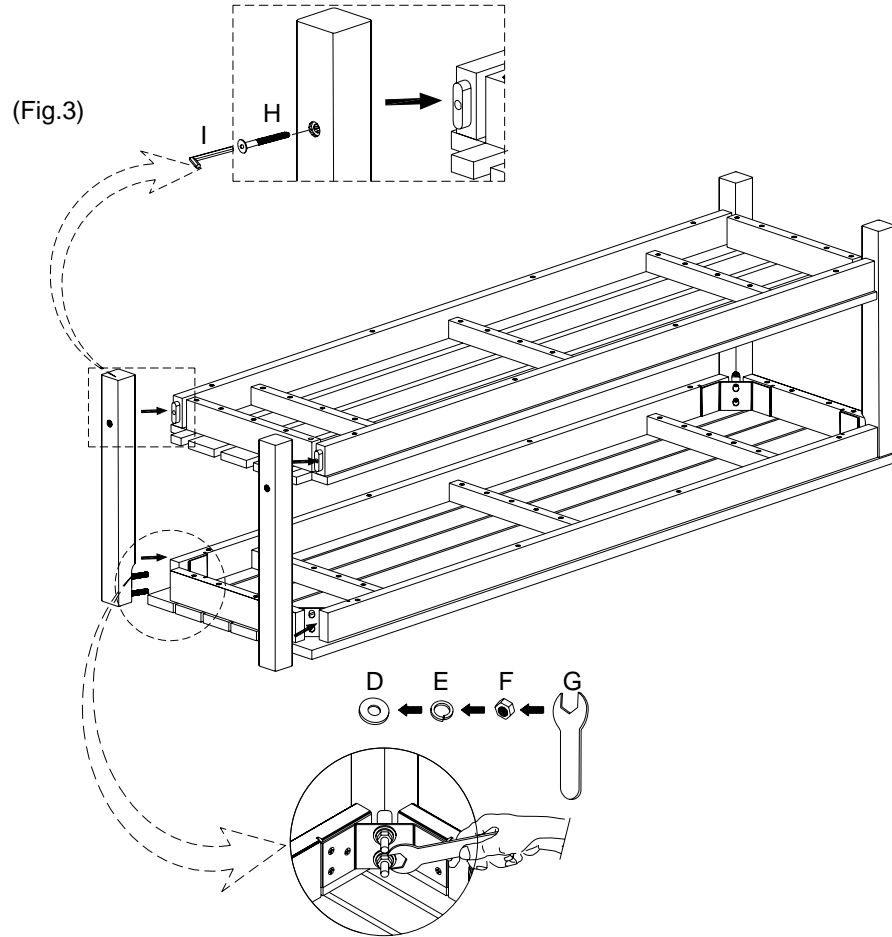
(Fig.1)



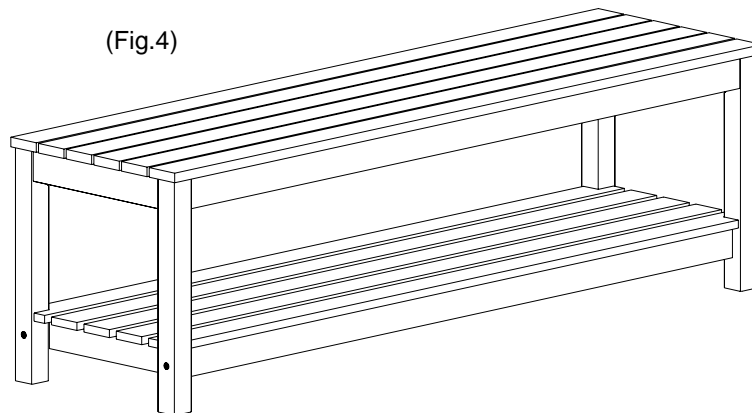
2. Attach the bottom tray (C) to the legs and secure with 2 bolts (H) using allen key (I). Do not fully tighten.



3. Repeat steps 1 and 2 to connect the remaining (2) Legs (B) to the Table Top (A) and Shelf (C). Once all bolts and nuts are assembled, check alignment and tighten all connections.



4. Turn the table upright. Assembly is complete.



CARE INSTRUCTIONS:

- Dust often using a clean, soft, dry lint-free cloth.
- Blot spills immediately, and wipe with a clean, damp, cloth.
- We do not recommend the use of chemical cleansers, abrasives, or furniture polish.

Thank you for your purchase
Stores | catalog | www.potterybarnkids.com
USA 1.800.290.8181