

# pottery barn kids

## FARMHOUSE ACTIVITY CART



**WARNING:** FALL HAZARD – To prevent death or serious injury from falls, always

keep child within arm's reach. NEVER LEAVE CHILD UNATTENDED and always use restraining system.

This changing table is intended for use with children weighing up to 50 pounds.

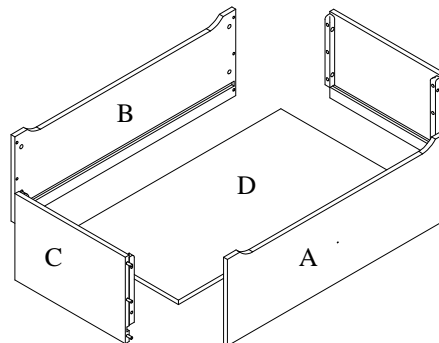
Do not use the changing table if it is damaged or broken.

### PRE-ASSEMBLY:

- Please read all instruction before beginning assembly. The illustrations provided allow for easier assembly when used in conjunction with the assembly instructions.
- Remove all parts and hardware from box and lay out on a carpeted or scratch-free work surface, as this will avoid damaging any parts during assembly. The shipping box provides an ideal work surface. Do not dispose of any contents until assembly is completed to avoid accidentally discarding small parts or hardware.
- For your safety and ease, adult assembly by two people is recommended.
- Save all packing materials until assembly is complete to avoid accidentally discarding smaller parts or hardware.
- Use the parts and hardware lists to identify and separate each of the pieces included prior to starting assembly.
- Note: Do not fully tighten all bolts until all parts are in place. Failure to follow these instructions may cause the bolts to misalign during assembly.
- If using power tools to aid in assembly please use caution. Power tools can damage hardware or split wood.

### PARTS INCLUDED:

- (A) Front panel - 1pc
- (B) Back panel - 1pc
- (C) Left & Right panel - 2pcs
- (D) Bottom panel - 2pc



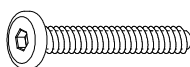
### TOOLS REQUIRED:

Phillips head screwdriver (not included)

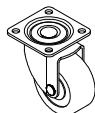


### HARDWARE ENCLOSED:

(E) 1/4x25mm Bolts - 8pcs



(F) Caster - 4pcs



(G) 3.5x15mm Screws – 16pcs



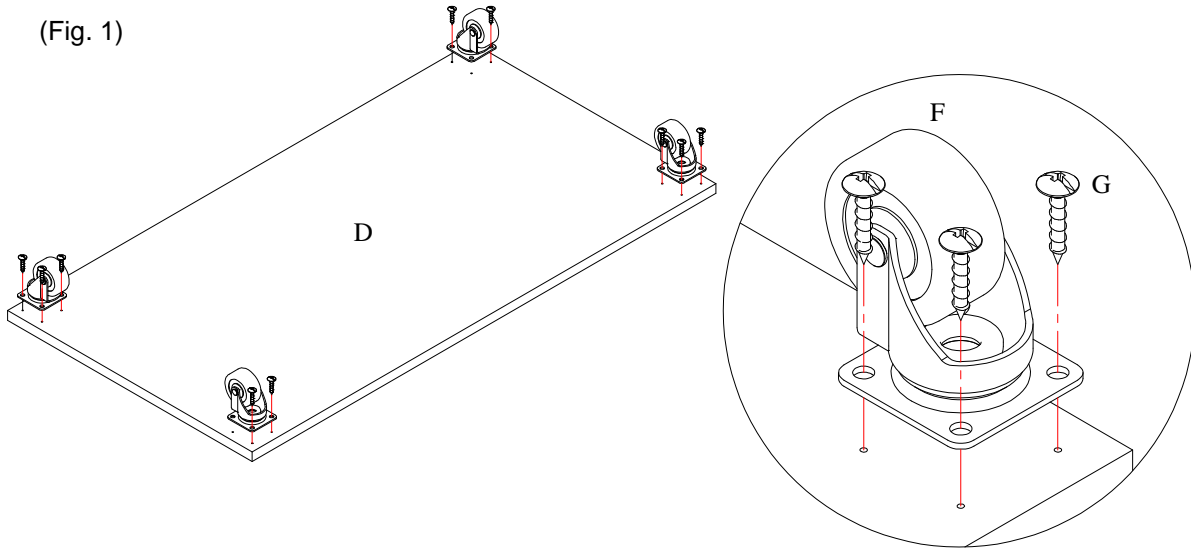
(H) 4mm Allen key – 1pc



**ASSEMBLY INSTRUCTIONS:**

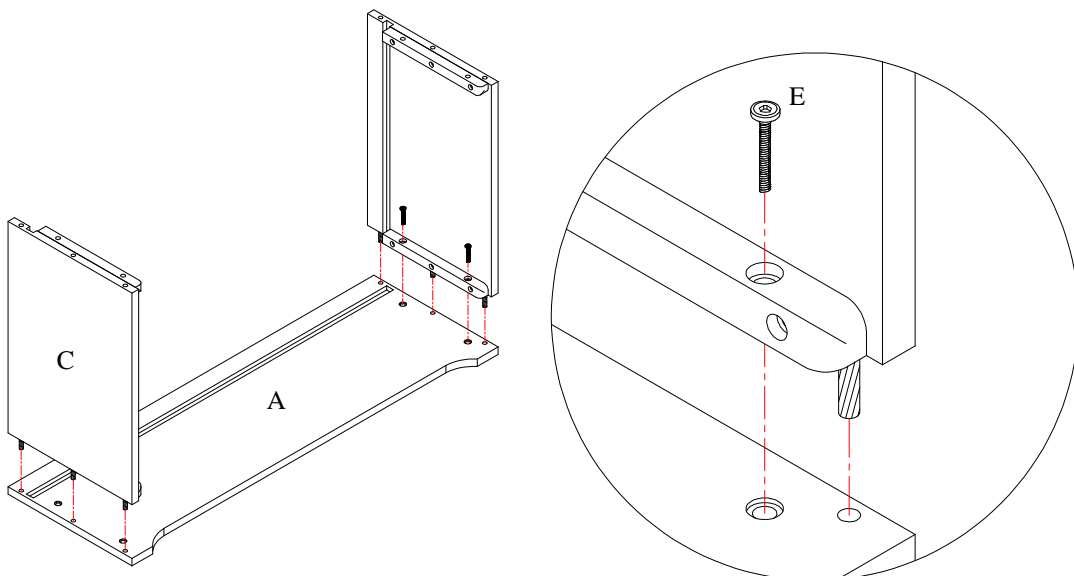
1. Lay the Bottom panel (D) on your work surface with the side of the pre-drilled holes facing up. Insert the Caster (F) into the pre-drilled holes on the Bottom panel by using #3.5 x 15mm screw (G). (Fig. 1)

(Fig. 1)



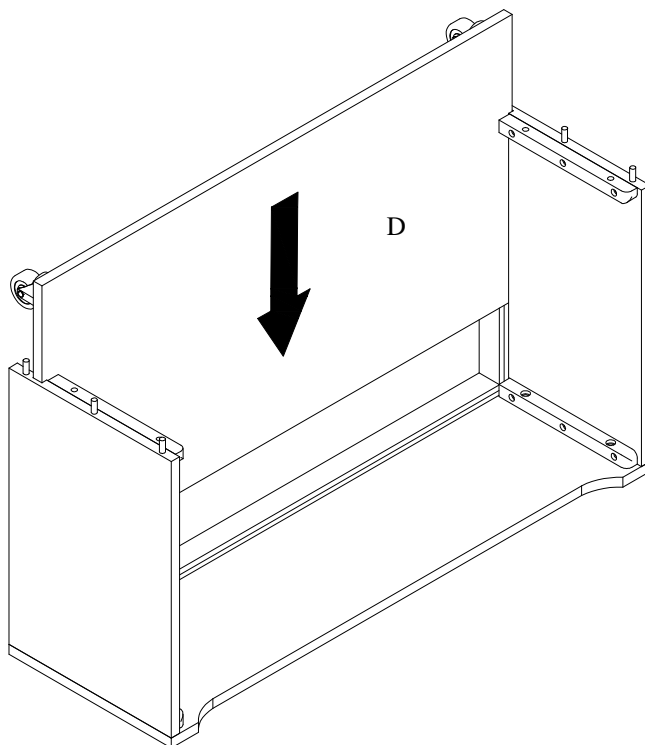
2. Position the Front panel (A), exactly as shown in illustration below. Attach the Side panels (C) by inserting the 1/4x25mm Bolts (E) into pre-drilled holes located in the Front panel, tightening with Philips screwdriver. Repeat the same process for the other side panel.

(Fig. 2)



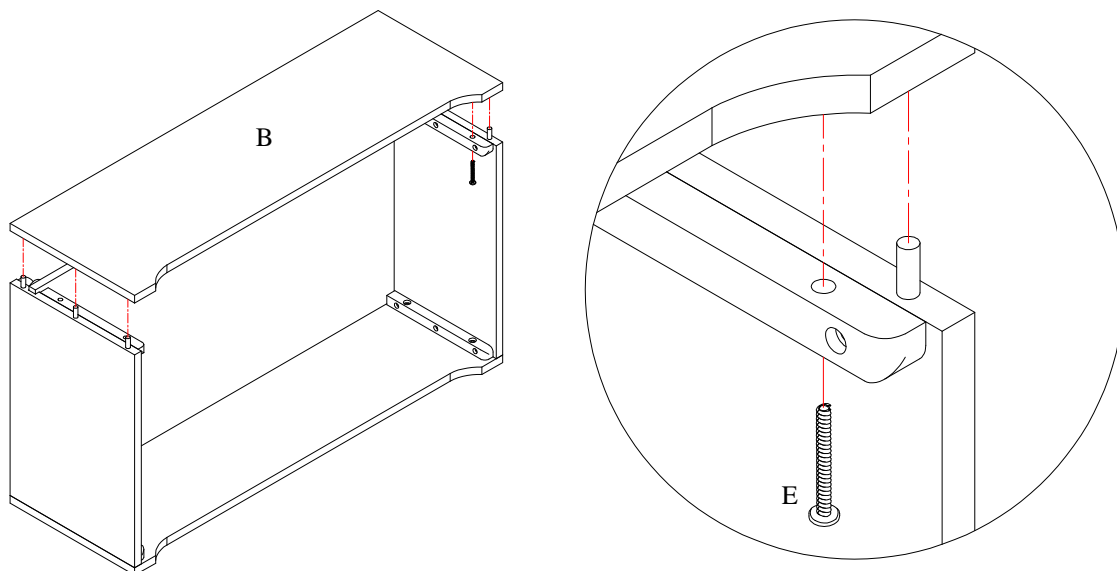
3. Fit the bottom panel (D) to side panels the slotting it into the grooves as shown.

(Fig. 3)

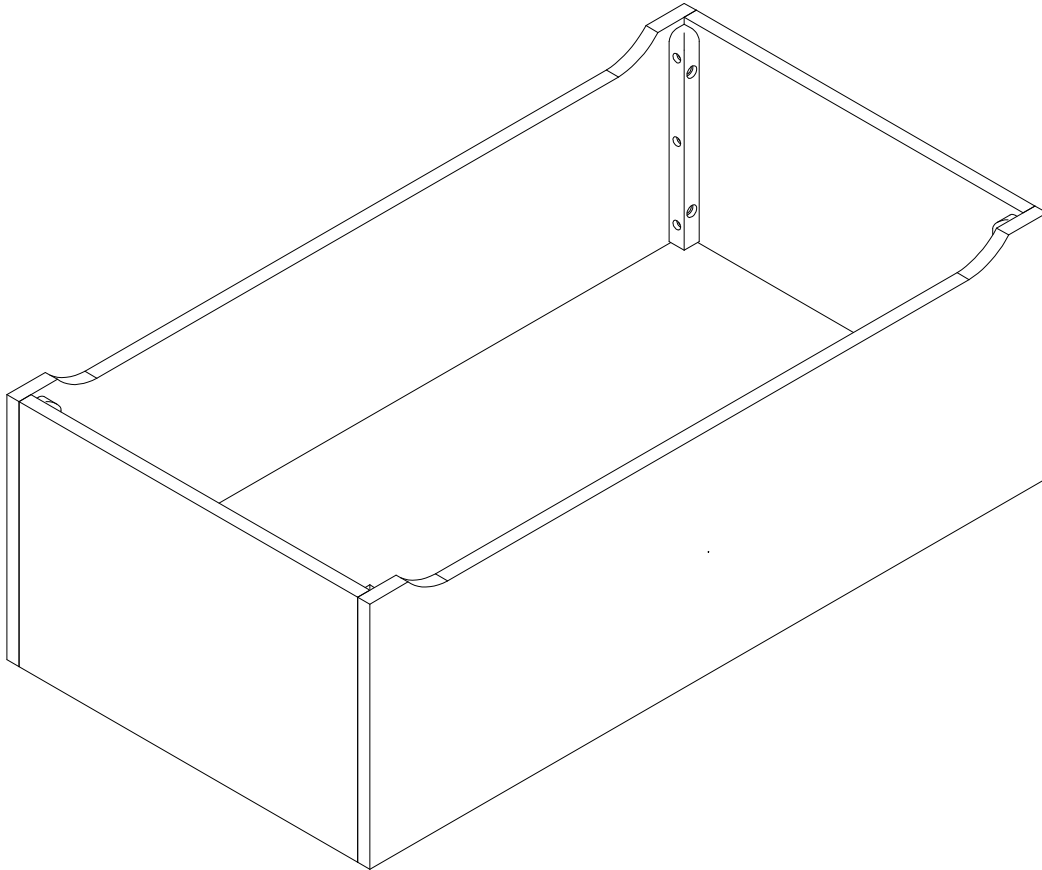


4. Position the Back panel (B), exactly as shown in illustration below with the wood dowels of the side panels (C ) into the pre-drilled holes of the Back panel (B), Insert the 1/4x25mm Bolts (E) into the pre-drilled holes located in the support rail of the Side rail (C ), tightening with Philips screwdriver. (Fig.4)

(Fig. 4)



5. (Fig. 5)



CARE INSTRUCTIONS:

- Dust often using a clean, soft, dry lint-free cloth.
- Blot spills immediately, and wipe with a clean, damp, cloth.
- We do not recommend the use of chemical cleansers, abrasives, or furniture polish on our lacquered finish.

Thank you for your purchase  
stores | catalog | [www.potterybarnkids.com](http://www.potterybarnkids.com)