

pottery barn kids

FARMHOUSE ACTIVITY TABLE



WARNING: FALL HAZARD – To prevent death or serious injury from falls, always

keep child within arm's reach. NEVER LEAVE CHILD UNATTENDED and always use restraining system.

This changing table is intended for use with children weighing up to 50 pounds.

Do not use the changing table if it is damaged or broken.

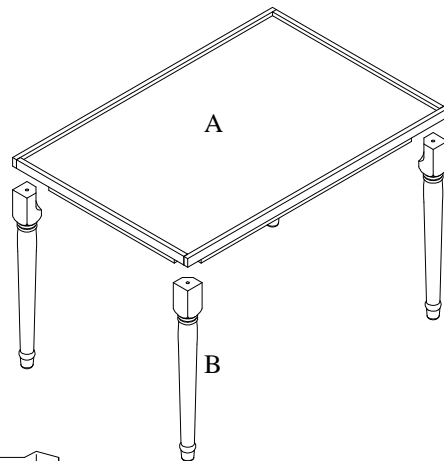
PRE-ASSEMBLY:

- Please read all instruction before beginning assembly. The illustrations provided allow for easier assembly when used in conjunction with the assembly instructions.
- Remove all parts and hardware from box and lay out on a carpeted or scratch-free work surface, as this will avoid damaging any parts during assembly. The shipping box provides an ideal work surface. Do not dispose of any contents until assembly is completed to avoid accidentally discarding small parts or hardware.
- For your safety and ease, adult assembly by two people is recommended.
- Save all packing materials until assembly is complete to avoid accidentally discarding smaller parts or hardware.
- Use the parts and hardware lists to identify and separate each of the pieces included prior to starting assembly.
- Note: Do not fully tighten all bolts until all parts are in place. Failure to follow these instructions may cause the bolts to misalign during assembly.
- If using power tools to aid in assembly please use caution. Power tools can damage hardware or split wood.

PARTS INCLUDED:

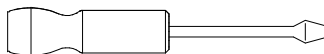
(A) Table Top - 1pc

(B) Legs - 4pcs



TOOLS REQUIRED:

Phillips head screwdriver (not included)



HARDWARE ENCLOSED:

(C) Ø10x48mm Nuts - 4pcs



(D) 1/4x76mm Bolts - 8pcs



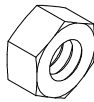
(E) Washer 1/4mm – 8pcs



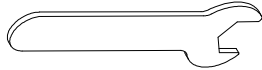
(F) Spring washer 1/4mm – 8pcs



(G) Nuts 1/4mm – 8pcs



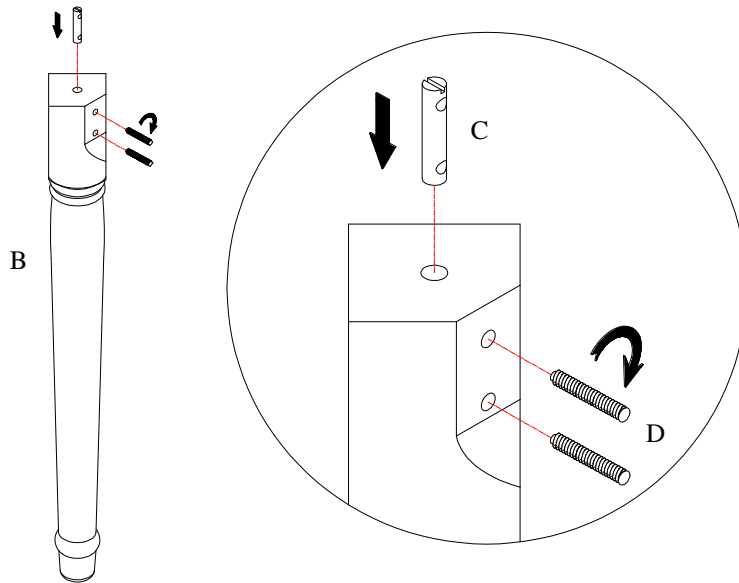
(H) Spanner – 1pc



ASSEMBLY INSTRUCTIONS:

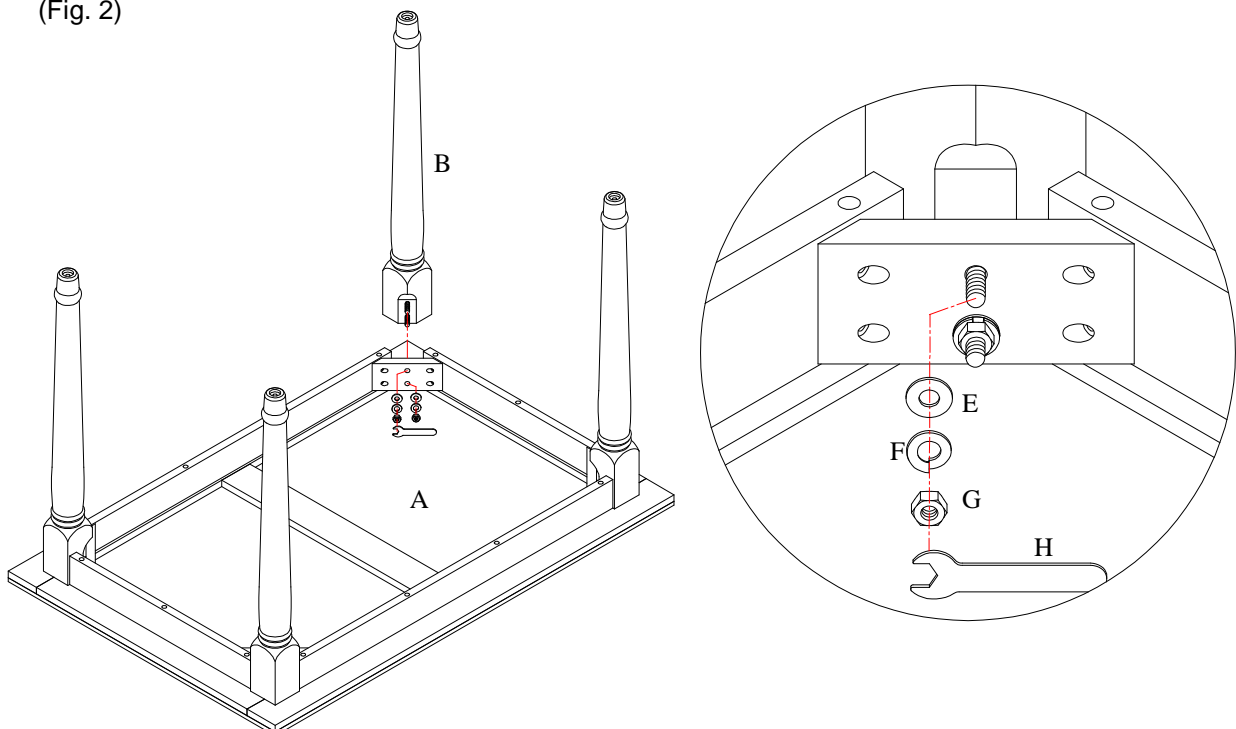
1. Insert the Bolts (D) into the pre-drilled holes on Leg (B) as shown. Insert the Bolts (D) into the pre-drilled holes on the top of the leg (B) to receive the Nut (C). Tighten with a screwdriver, but do not over tight. Repeat same process for the other 3 Legs. (Fig. 1) .

(Fig. 1)



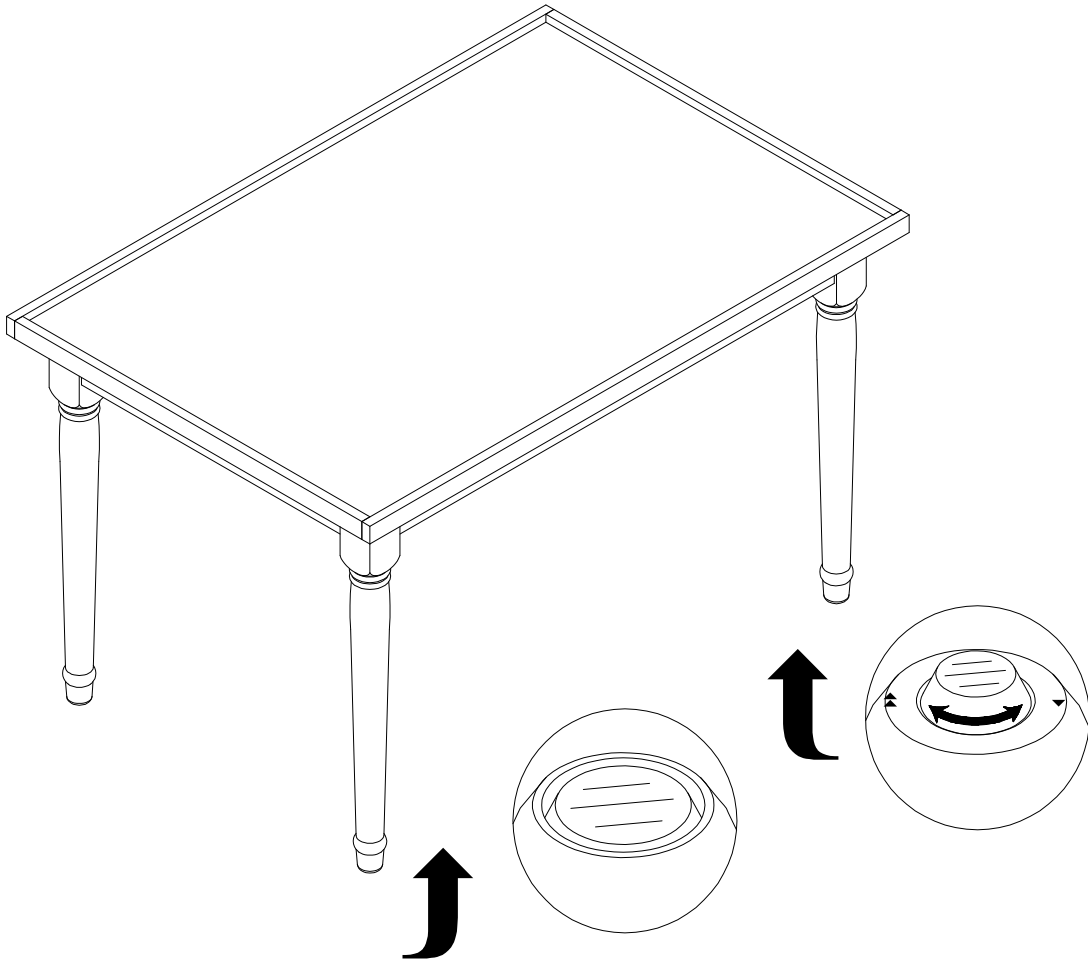
2. Lay tabletop (A) face down on your work surface and position one of the Desk legs (B) exactly as shown in illustration below. Align the pre-drilled holes in each leg with the pre-drilled holes in the corner braces of the table top.. Insert 1 Flat washer (E) and 1 Spring washer (F) and 1 Nut (F) per leg as shown. Fully tighten with the enclosed spanner (H). Repeat same process for the other 3 legs. (Fig. 2)

(Fig. 2)



3. Adjust the Adjustable Levelers on the bottom of the Legs by loosening or tightening them so the Table sits evenly on floor (Fig.3).

(Fig. 3)



CARE INSTRUCTIONS:

- Dust often using a clean, soft, dry lint-free cloth.
- Blot spills immediately, and wipe with a clean, damp, cloth.
- We do not recommend the use of chemical cleansers, abrasives, or furniture polish on our lacquered finish.

Thank you for your purchase
stores | catalog | www.potterybarnkids.com

