

# pottery barn kids

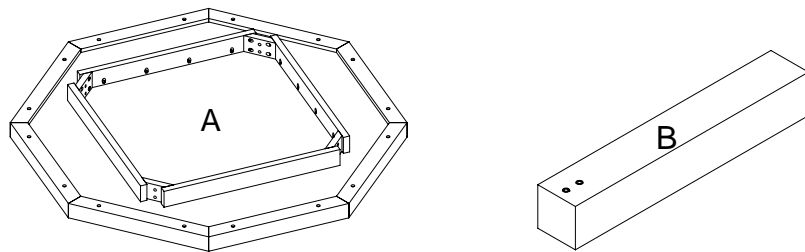
## OCTAGONAL PLAY TABLE

### PRE-ASSEMBLY:

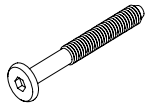
- Read all instructions before beginning assembly. The illustrations provided allow for easier assembly when used in conjunction with the assembly instructions.
- For your safety and ease, assembly by two adults is recommended.
- Remove all part and hardware from the box and lay out on a clean, carpeted, or scratch-free work surface. Use care as some parts or hardware may have sharp points or edges.
- Do not dispose of any contents until assembly is completed to avoid accidentally discarding small parts and hardware.
- Use the parts and hardware lists to identify and separate each of the pieces included.
- Note: Do not fully tighten all bolts until all parts are in place. Failure to follow these instructions may cause the bolts misalign during assembly.
- The use of power tools for assembly is not recommended. Power tools can damage hardware or split wood.

### PARTS INCLUDED:

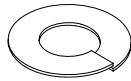
- A. Tabletop - 1
- B. Legs - 4



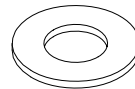
### HARDWARE INCLUDED:



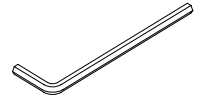
(C) 8 Allen Bolts



(D) 8 Lock Washers



(E) 8 Flat Washers

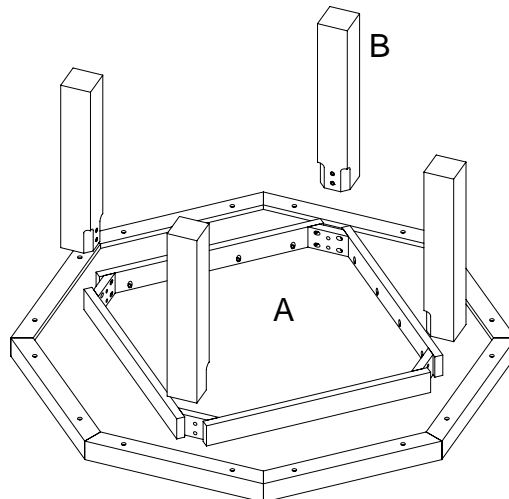


(F) Allen Key

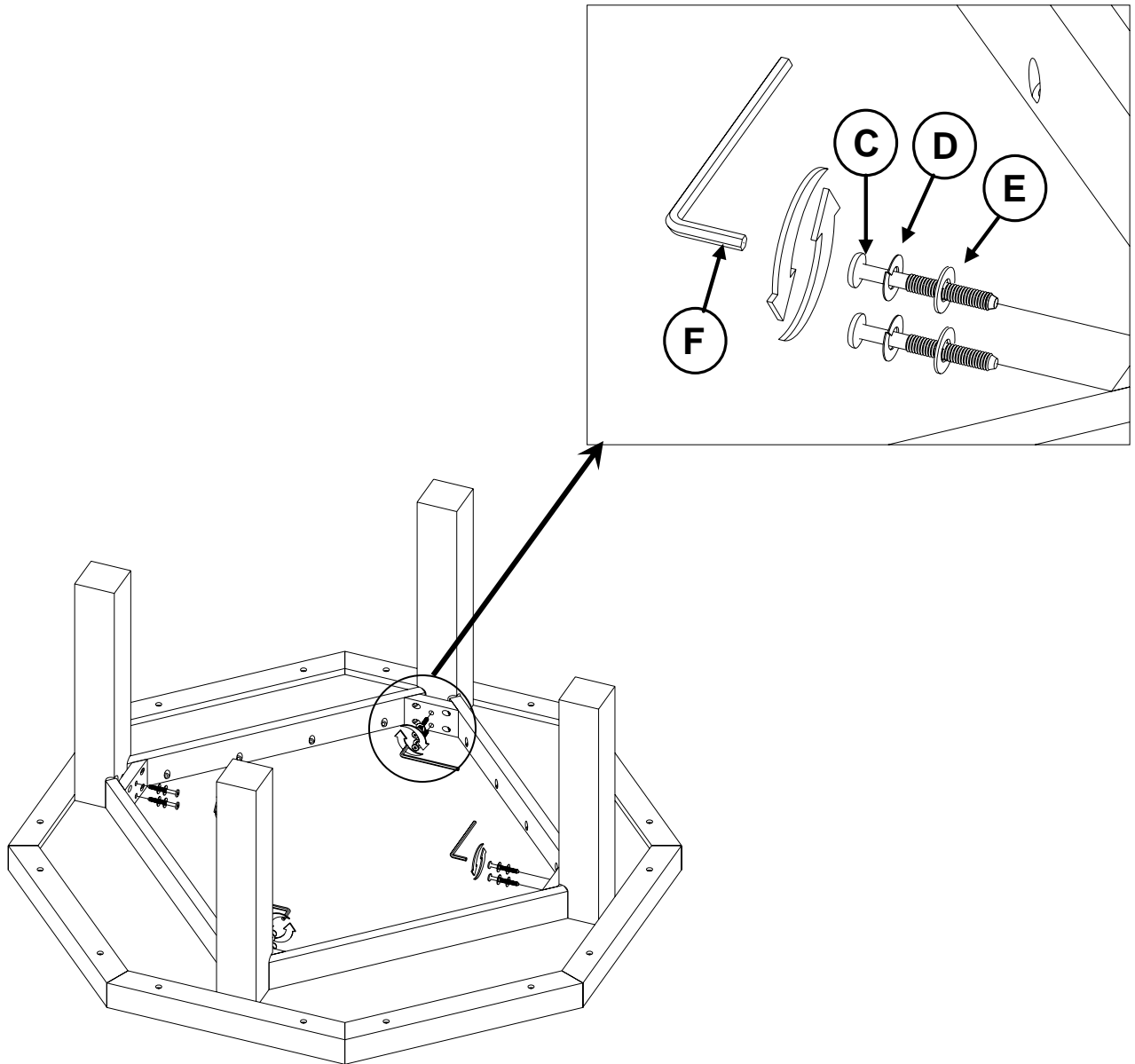
### ASSEMBLY INSTRUCTIONS:

1. Lay the Tabletop (A) upside down on a soft work surface. Insert the Legs (B) into the Tabletop (A) as shown in Figure 1.

Figure 1



2. Insert (1) Lock Washer (D) and (1) Flat Washer (E) into each Allen Bolt (C). Then, insert the Bolts (C) into the predrilled holes of the Tabletop (A) and into the Legs (B), as shown in Figure 2. Tighten clockwise using the Allen Key (F).



**CARE INSTRUCTIONS:**

- Dust often using a clean, soft, dry lint-free cloth.
- Blot spills immediately, and wipe with a clean, damp, cloth.
- We do not recommend the use of chemical cleansers, abrasives, or furniture polish on our lacquered finish.

Thank you for your purchase.  
stores | catalog | [www.potterybarnkids.com](http://www.potterybarnkids.com)  
USA 1.800.290.8181