

pottery barn kids

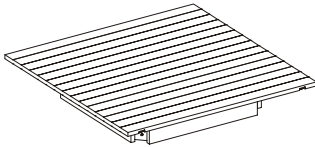
WEATHERED NANTUCKET PLAY TABLE

PRE-ASSEMBLY:

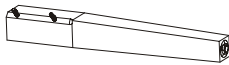
- Read all instructions before beginning assembly. The illustrations provided allow for easier assembly when used in conjunction with the assembly instructions.
- For your safety and ease, assembly by two adults is recommended.
- Remove all parts and hardware from the box and lay out on a clean, carpeted, or scratch-free work surface. Use care as some parts or hardware may have sharp points or edges.
- Do not dispose of any contents until assembly is completed to avoid accidentally discarding small parts or hardware.
- Use the parts and hardware lists to identify and separate each of the pieces included.
- Note: Do not fully tighten all bolts until all parts are in place. Failure to follow these instructions may cause the bolts to misalign during assembly.
- The use of power tools for assembly is not recommended. Power tools can damage hardware or split wood.

PARTS INCLUDED:

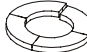
(A) Table Top (1)

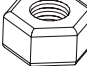



(B) Legs (4)



HARDWARE ENCLOSED:

(C) Spring Washer (8) 

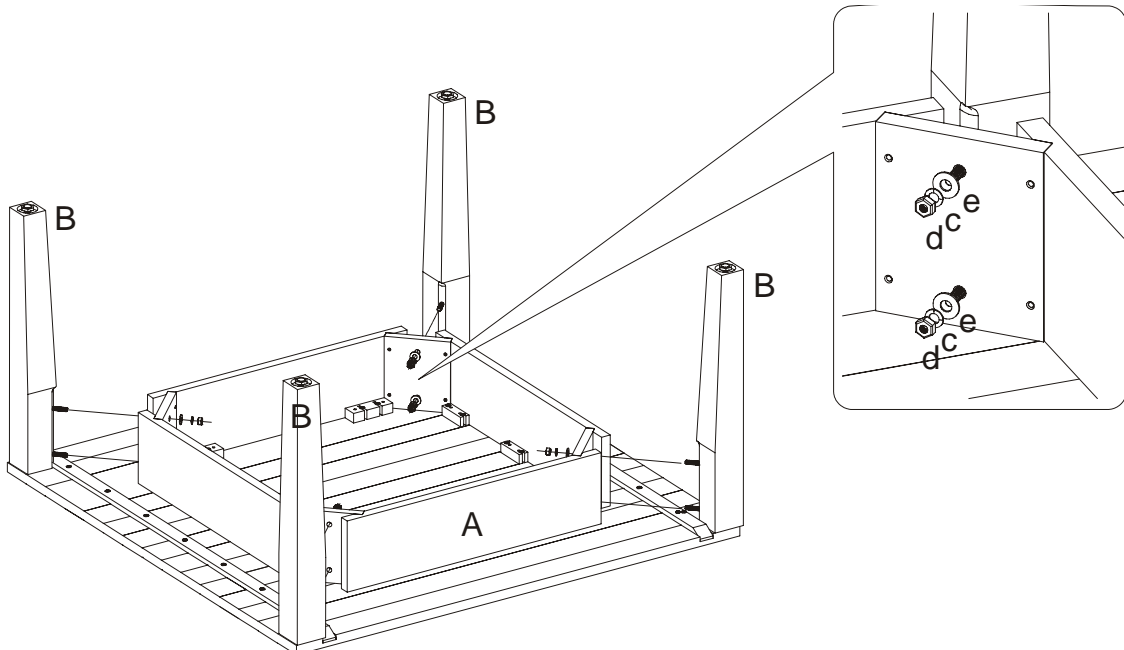
(D) Hexagonal Nut (8) 

(E) Flat Washer (8) 

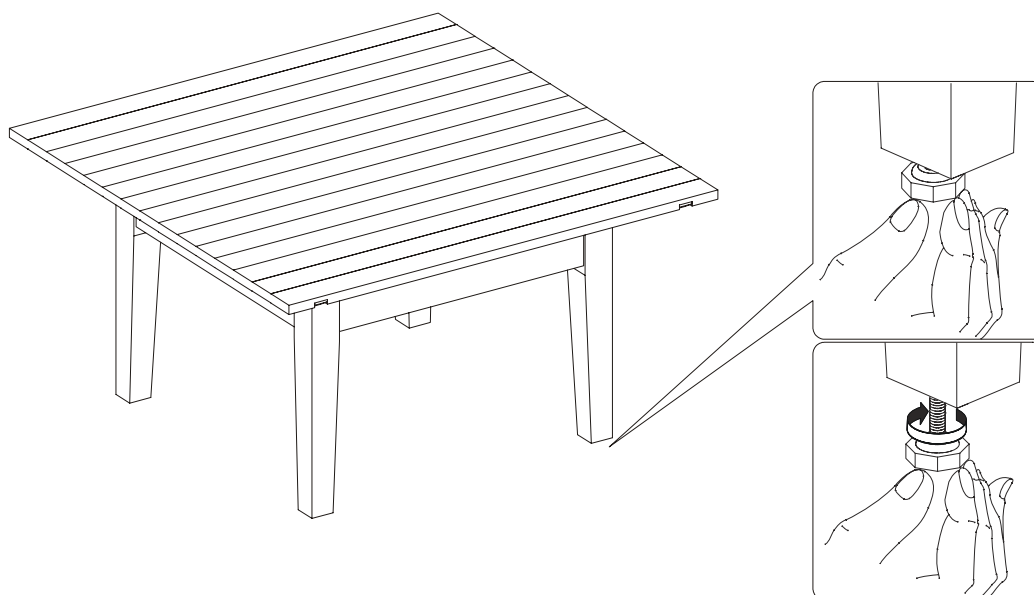
TOOLS REQUIRED FOR ASSEMBLY:
Pliers (not included)

ASSEMBLY INSTRUCTIONS:

1. Gently Lay the table top (A) face down on your work surface. Insert one Leg (B) into each corner of the table top apron. Secure the legs in place using the Flat Washer (E), Spring Washer (C) and Nut (D), as shown. Tighten with pliers, taking care not to overtighten the bolts.



2. Turn table right side up. If the table does not sit level, loosen or tighten the adjustable levelers on the bottom of each leg if needed.



CARE INSTRUCTIONS:

- Dust often using a clean, soft, dry, lint-free cloth.
- Blot spills immediately, and wipe with a clean, damp, cloth.
- We do not recommend the use of chemical cleansers, abrasives, or furniture polish on our lacquered finish.
- To prevent warping, periodically loosen the bolts overtime, as necessary. This will allow the wood to expand naturally.

Thank you for your purchase.
stores | catalog | www.potterybarnkids.com
USA 1.800.290.8181