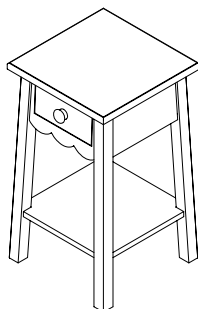


pottery barn kids

SCALLOP SIDE TABLE

IMPORTANT SAFETY INSTRUCTIONS:






Please read all instructions carefully before assembling.
For your safety, assembly by two people is recommended.



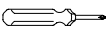
PARTS INCLUDED:

- (A) Table Top and Drawer – 1pc
- (B) Shelf – 1pc
- (C) Leg Panel – 2pcs

HARDWARE ENCLOSED:

- (D) Allen Key  – 1pc
- (E) Bolt 1/4" x 25mm  – 8pcs
- (F) Spring Washer 1/4"  – 8pcs
- (G) Flat Washer 1/4"  – 8pcs
- (H) Wood Screw 4 x 30mm  – 4pcs

TOOLS REQUIRED:

- Phillips Screwdriver  (Not included)

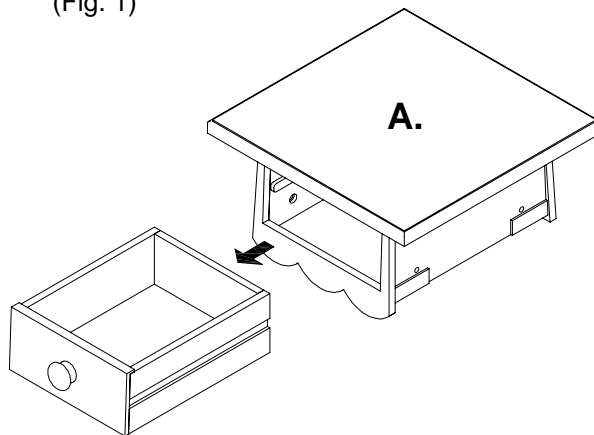
PRE-ASSEMBLY:

- Remove all parts and hardware from the box and lay out on a clean, carpeted, or scratch-free work surface, as this will avoid damaging any parts during assembly. The shipping box provides an ideal work surface. Do not dispose of any contents until assembly is completed to avoid accidentally discarding small parts or hardware.
- Use the parts and hardware lists above to identify and separate each of the pieces included.
- The illustrations provided allow for easier assembly when used in conjunction with the assembly instructions.
- Note: Do not fully tighten all bolts until all parts are in place. Failure to follow these instructions may cause the bolts to misalign during assembly.
- If using power tools to aid in assembly please use caution. Power tools can damage hardware or split wood.

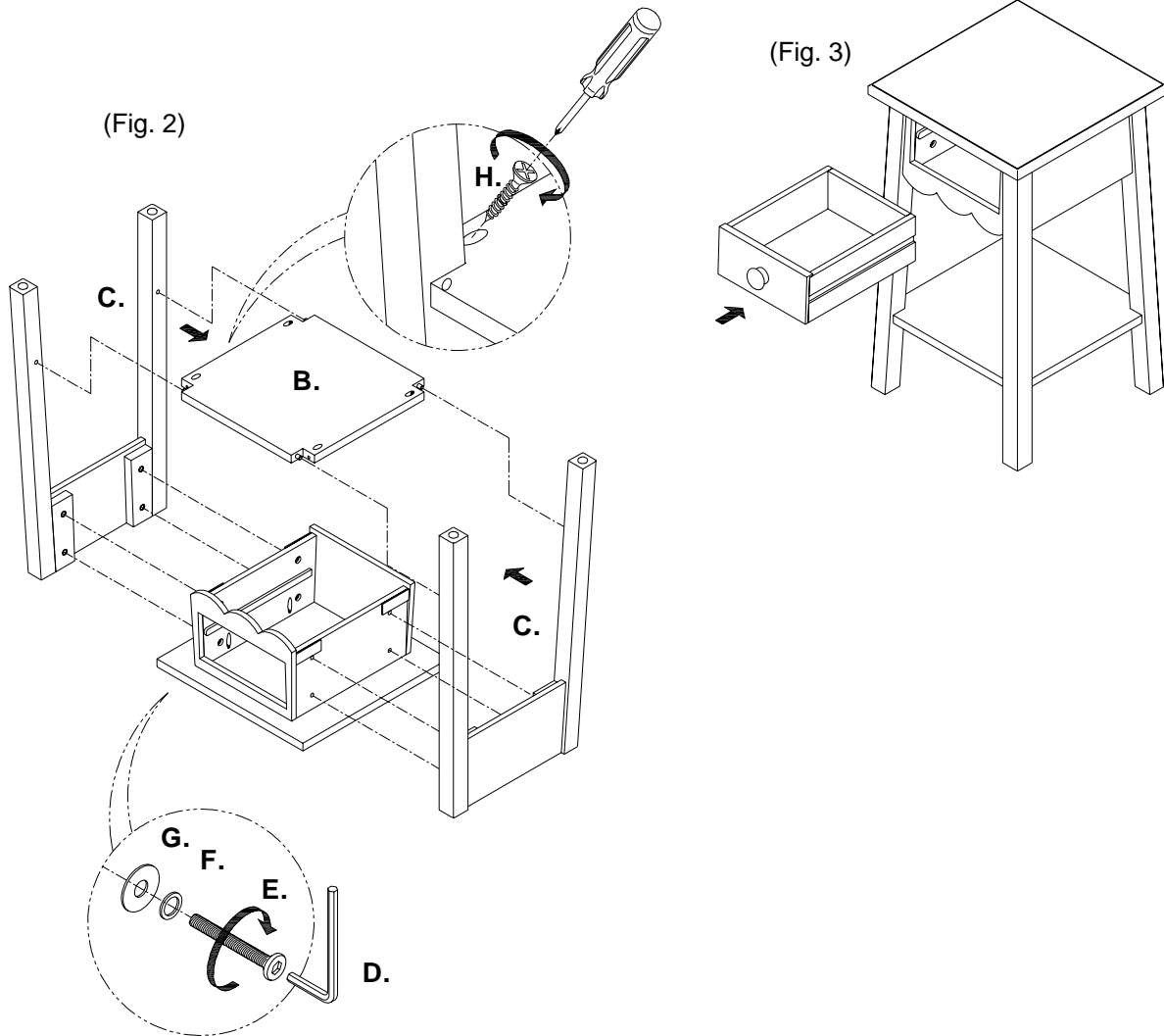
ASSEMBLY INSTRUCTIONS:

1. Carefully place the Table Top (A) on your work surface. Press the drawer stopper and pull the drawer out. (Fig. 1)

(Fig. 1)



- Turn the Table Top (A) upside down. Align each of the (2) Leg Panels (C) with the pre-drilled holes on the Table Top piece, attaching with (8) Bolts (E), (8) Spring Washer (F) and (8) Flat Washer (G). Tighten the bolts using the included Allen key (D). Use (4) Wood Screws (H) to attach the Shelf (B) to the Leg Panels. (Fig. 2) Note: Check the alignment before completely fastening all the bolts and wood screws.
- Place the assembled table upright and push the drawer in. (Fig. 3)



CARE INSTRUCTIONS:

- Dust often using a clean, soft, dry lint-free cloth.
- Blot spills immediately, and wipe with a clean, damp, cloth.
- We do not recommend the use of chemical cleansers, abrasives, or furniture polish on our lacquered finish.
- Do not sit or stand on the top of the table.

Thank you for your purchase
 stores | catalog | www.potterybarnkids.com
 USA 1.800.290.8181