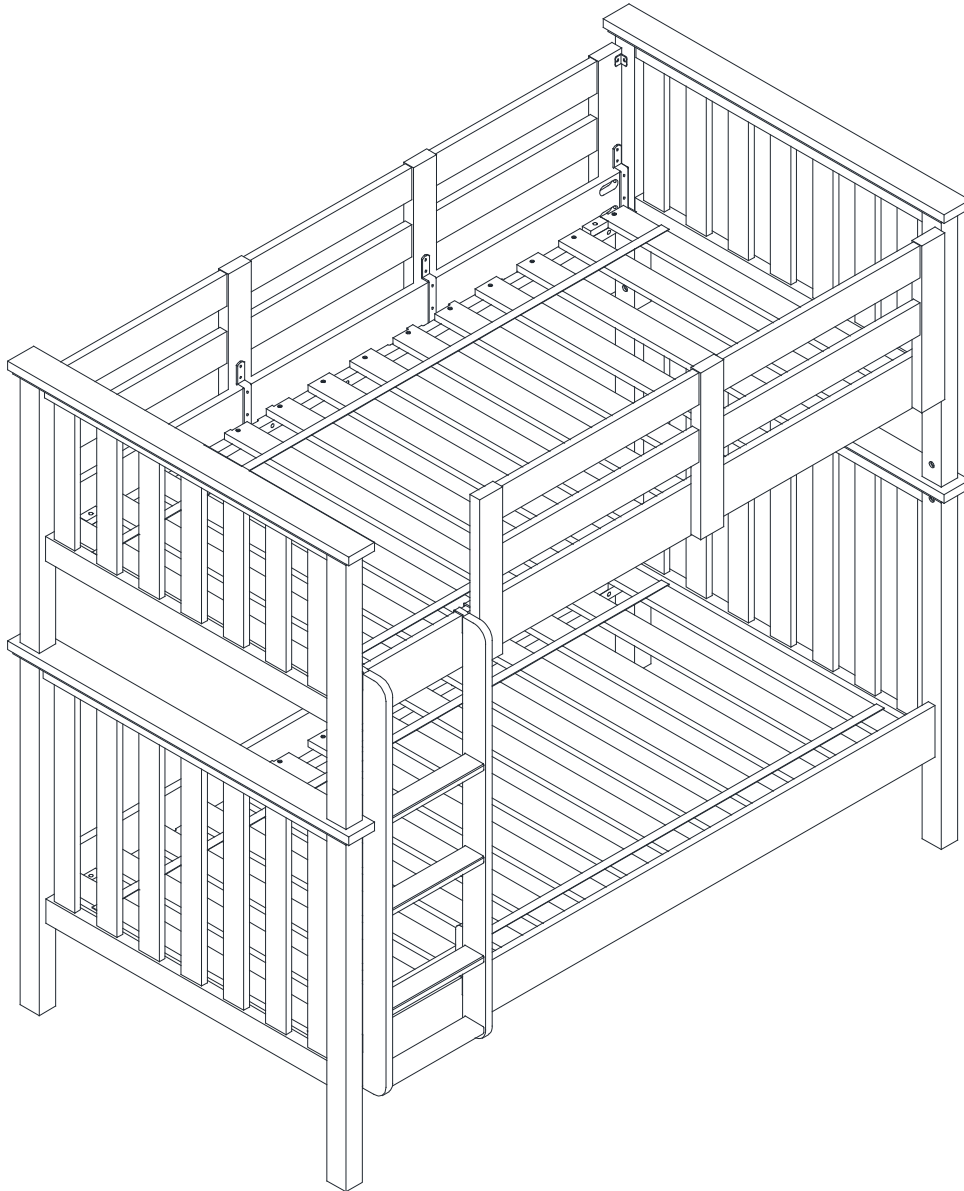


pottery barn kids



ELLIOT BUNK BED TWIN OVER TWIN

www.potterybarnkids.com



WARNING: Failure to follow these warnings and assembly instructions could result in serious injury or death. To help prevent serious or fatal injuries from entrapment or falls:

- Read all instructions before assembling bunk bed.
- Before each usage or assembly, inspect bunk bed for damaged hardware, loose joints, missing parts or sharp edges. DO NOT use bunk bed if any parts are missing or broken.
- DO NOT use substitute parts. Contact pottery barn kids for replacement parts and and instructional literature if needed.
- Follow the information on the warnings appearing on the upper bunk end structure and on the carton. DO NOT REMOVE WARNING LABEL FROM BED.
- Always use the recommended size mattress or mattress support, or both, to help prevent the likelihood of entrapment or falls.
- Ensure thickness of mattress on upper bunk does not exceed 9 inches and the surface of mattress must be at least 5 inches (127 mm) below the upper edge of guardrails.
- Only use the 9" thickness mattress on the lower bunk.
- Ensure both upper and lower bunk are assembled to the highest position when using the product as a bunk bed.
- Use only mattress which is 74"-75" long and 37.5"-38.5" wide on upper and lower bunk.
- Do not allow children under 6 years of age to use the upper bunk.
- Periodically check and ensure that the guardrail, ladder, and other components are in their proper position, free from damage, and that all connectors are tight.
- Do not allow horseplay on or under the bed and prohibit jumping on the bed.
- Prohibit more than one person on the upper bunk.
- Always use the ladder for entering and leaving the upper bunk.
- Use of a night light may provide added safety precaution for a child using the upper bunk.
- Always use guardrails on both long sides of the upper bunk. If the bunk bed will be placed next to the wall, the guardrail that runs the full length of the bed should be placed against the wall to prevent entrapment between the bed and wall.
- The use of water or sleep flotation mattresses is prohibited.
- If refinishing, use a non-toxic finish specified for children's products.

STRANGULATION HAZARD - Never attach or hang items to any part of the bunk bed that are not designed for use with the bed; for example, but not limited to, hooks, belts and jump ropes

- This bunk bed meets the requirements of ASTM F1427-13
- KEEP THESE INSTRUCTIONS FOR FUTURE REFERENCE

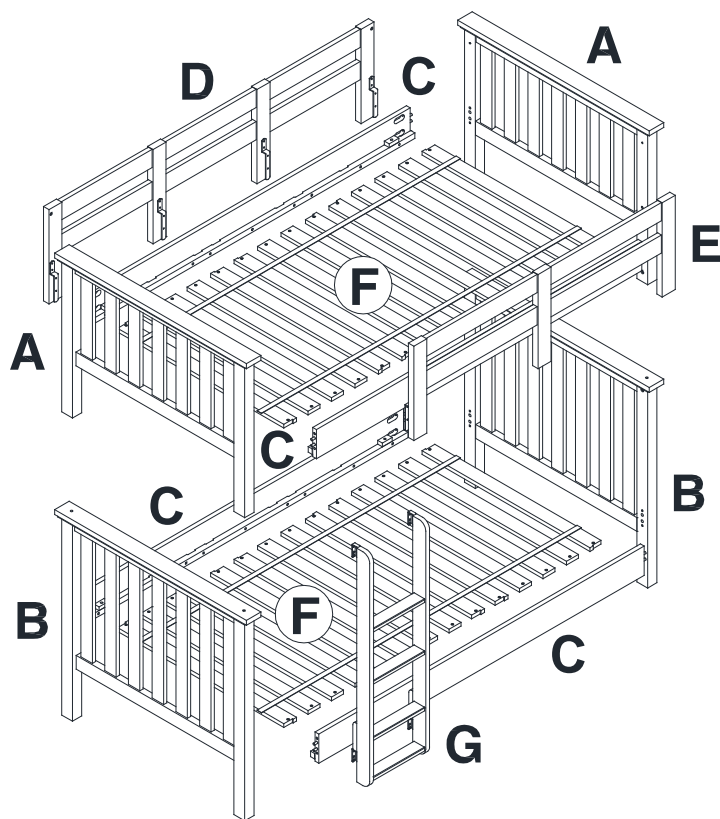
04-000044-7

Important Safety Instructions:

- Please read all instructions carefully before assembling.
- For your safety, assembly by two or more adults is strongly recommended.
- Keep instructions for future use.
- Use only vendor supplied hardware to assemble. Using unauthorized hardware could jeopardize the structural integrity of the item.

Pre-assembly:

- Remove all parts and hardware from the box and lay out on a clear carpeted or scratch-free work surface, as this will avoid damaging parts during assembly. The shipping box provides an ideal work surface.
- Do not dispose of any packaging or contents of the shipping carton until assembly is completed to avoid accidentally discarding small parts or hardware.
- Use the parts and hardware lists below to identify and separate each of the pieces included.
- The illustrations provided allow for easier assembly when used in conjunction with the assembly instructions.
- The use of power tools to aid in assembly is not recommended. Power tools can damage hardware and split wood.
- Note: Do not fully tighten all the bolts until all parts are in place. Failure to follow these instructions may cause the bolts to misalign during assembly.



PARTS INCLUDED:	
(A). Short End Board	2x
(B). Tall End Board	2x
(C). Side Rail	4x
(D). Long Guardrail	1x
(E). Short Guardrail	1x
(F). Slat Roll	2x
(G). Ladder	1x

Tools Required:


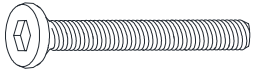

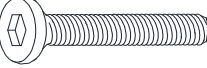





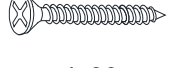
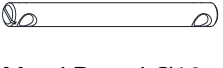

Philips Screwdriver (Not included)



Flat Head Screwdriver (Not included)

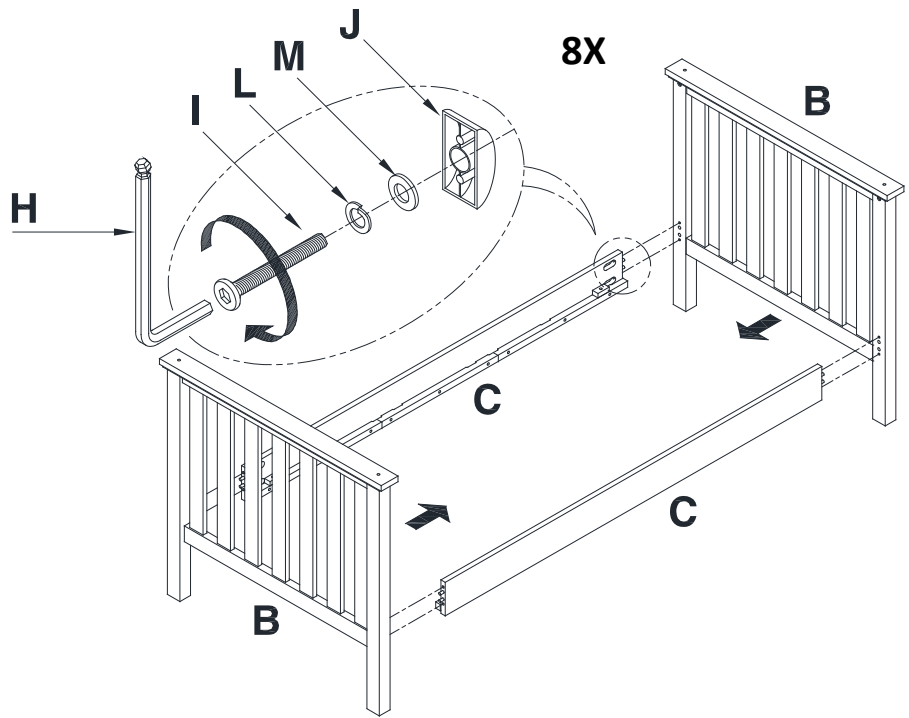
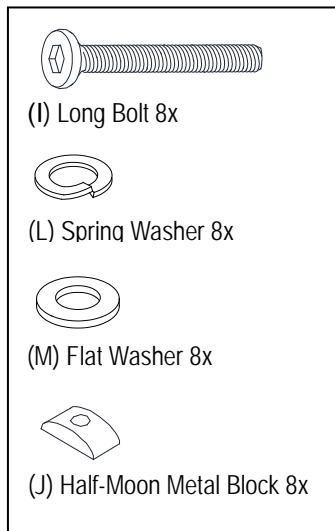


HARDWARE INCLUDED:

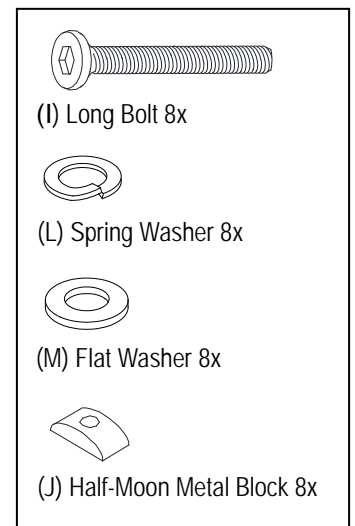
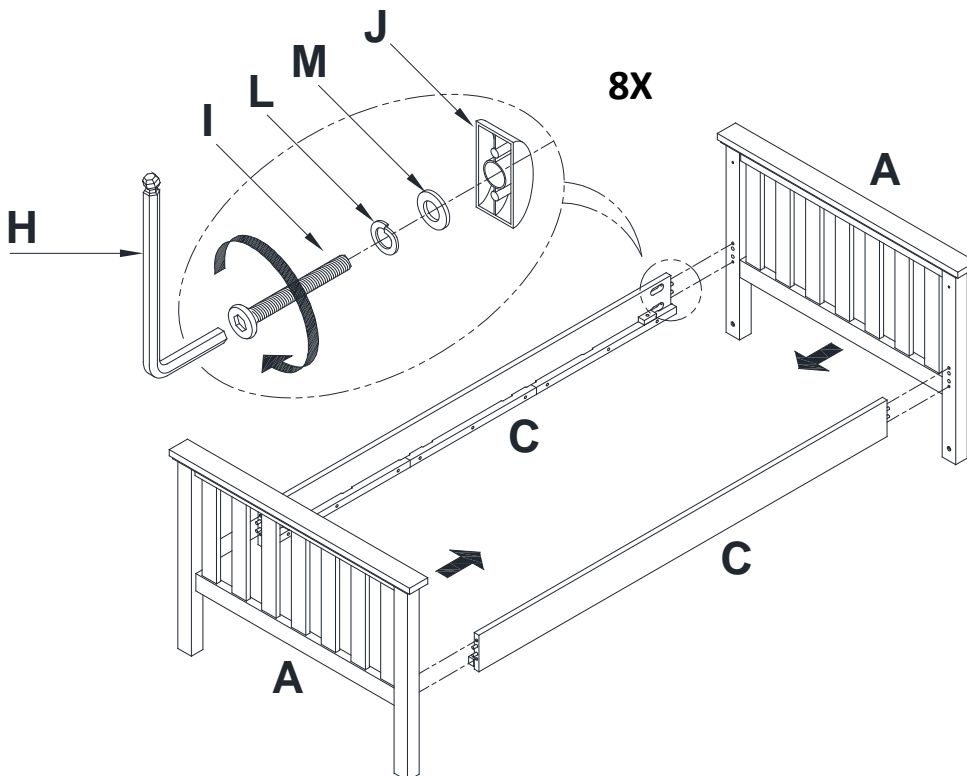
 (H) Allen Key – 1x	 (I) Long Bolt M6x55mm – 16x	 (J) Half-Moon Metal Block – 16x
 (K) Medium Bolt M8x32mm – 8x	 (L) Spring Washer M6 – 16x	 (M). Flat Washer M6 – 16x
 (N) Corner Bracket – 3x	 (O) Machine Screw 3/16"x15mm – 6x	 (P). Short Screw 4x19mm – 25x
 (Q) Long Screw 4x30mm – 56x	 (R) Long Metal Dowel Ø10 x 114mm – 4x	 (S). Short Metal Dowel Ø10 x 57mm – 4x

Assembly Instruction Steps:

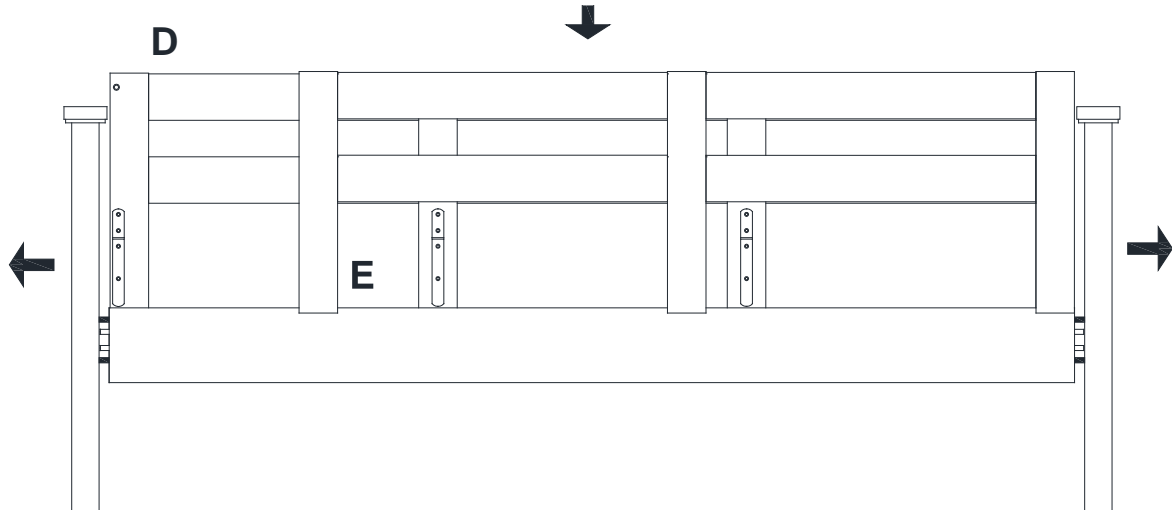
1. Assemble (2x) Tall End Board (B) (Headboard & Footboard of Lower Bed) to (2x) Side Rail (C) by aligning wooden dowels on the side rails to pre-drilled holes on the tall end boards. Slide a Spring Washer (L), a Flat Washer (M) and a Half-Moon Metal Block (J) onto each Long Bolt (I) and place (8x) long bolts with washers onto cut-outs on the 2 side rails to secure the 2 end boards using Allen Key (H), as shown in the illustration below.



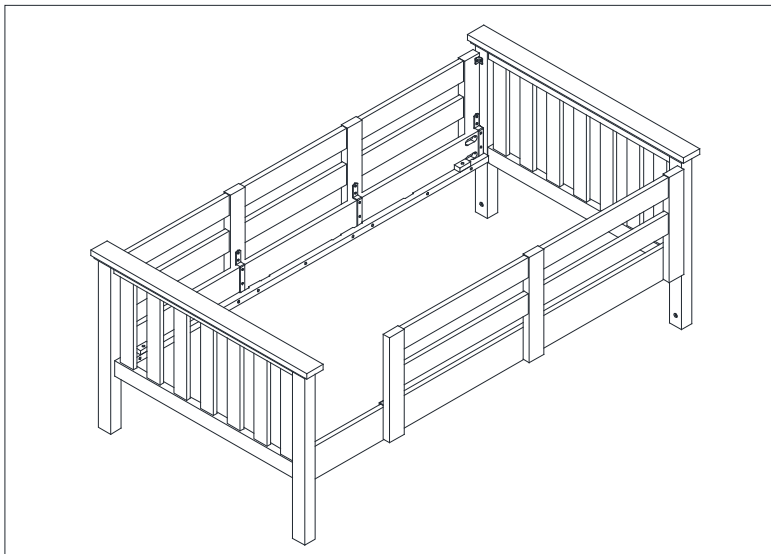
2. Assemble (2x) Short End Board (A) (Headboard & Footboard of Upper Bed) to (2x) Side Rail (C) by aligning wooden dowels on the side rails to pre-drilled holes on the short end boards. Slide a Spring Washer (L), a Flat Washer (M) and a Half-Moon Metal Block (J) onto each Long Bolt (I) and place (8x) long bolts with washers onto cut-outs on the 2 side rails to secure the 2 end boards using Allen Key (H), as shown in the illustration below. **Do not fully tighten at this point.**



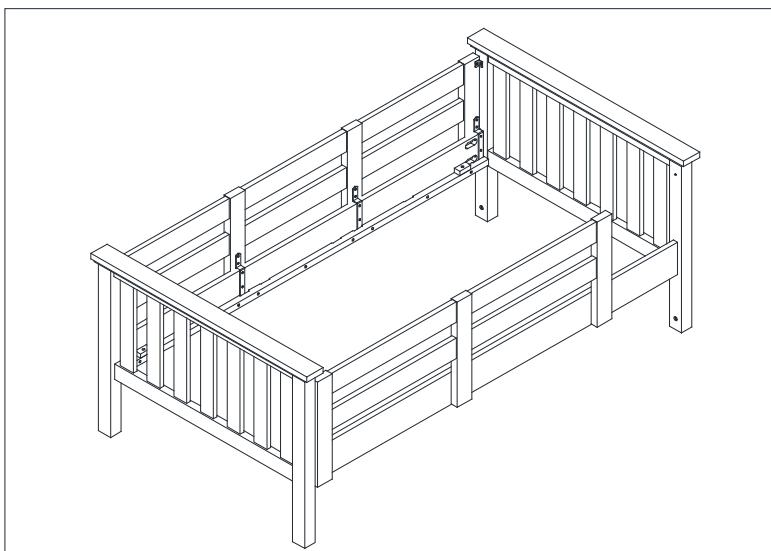
3. Insert the Long Guardrail (D) by spreading ends from side rail as shown. The guardrail slats go to outside of bed rail and the Brackets go to inside of back bed rail into cut-outs on the bed slat support cleat.



4. Determine the desired location of the ladder opening (see options below). Then install the Short Guardrail (E) on the front side rail with brackets facing inward and the guardrail slats out. Tighten the bolts (I) (installed in step 2) through the side rails into the end boards after the guardrails have been placed. The short guardrail should be in contact with the end opposite the entry opening.

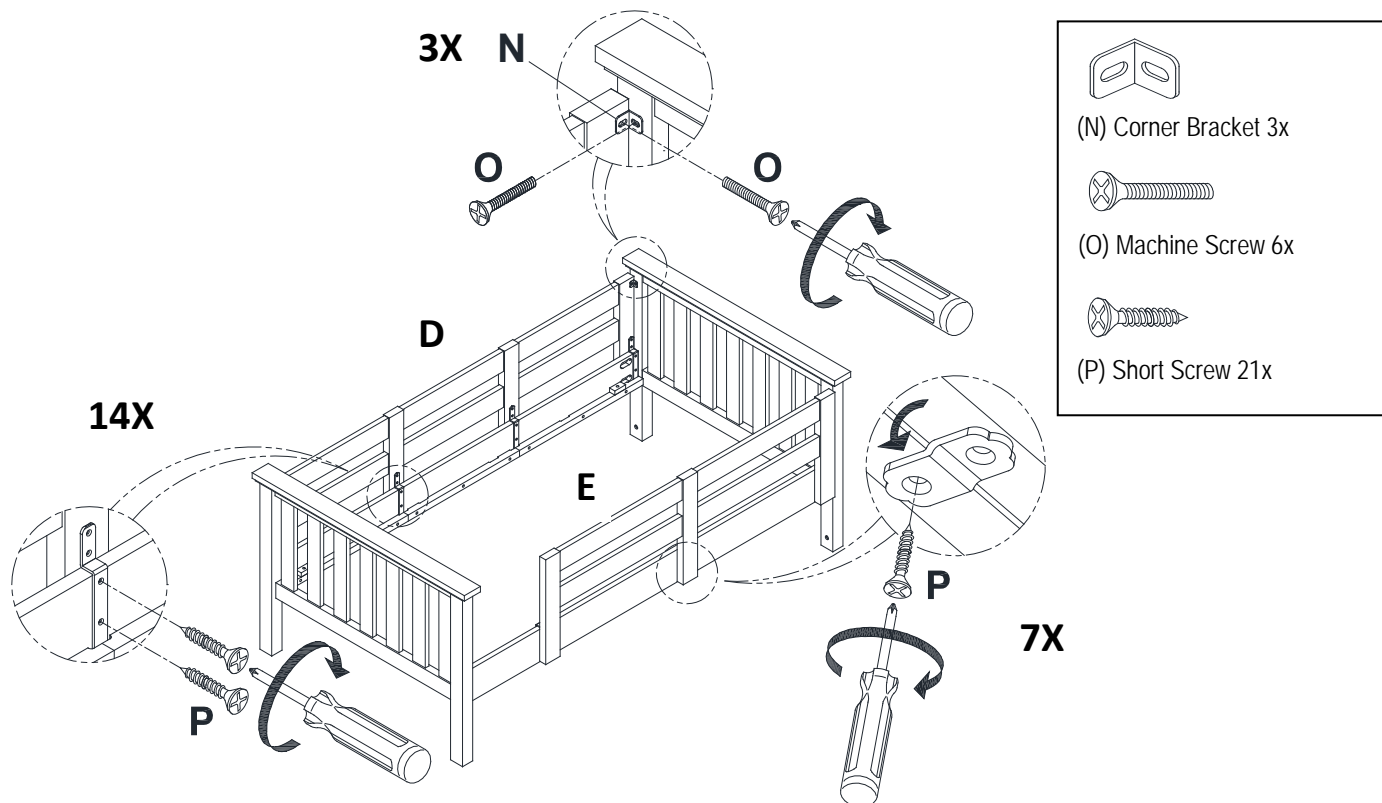


Option 1

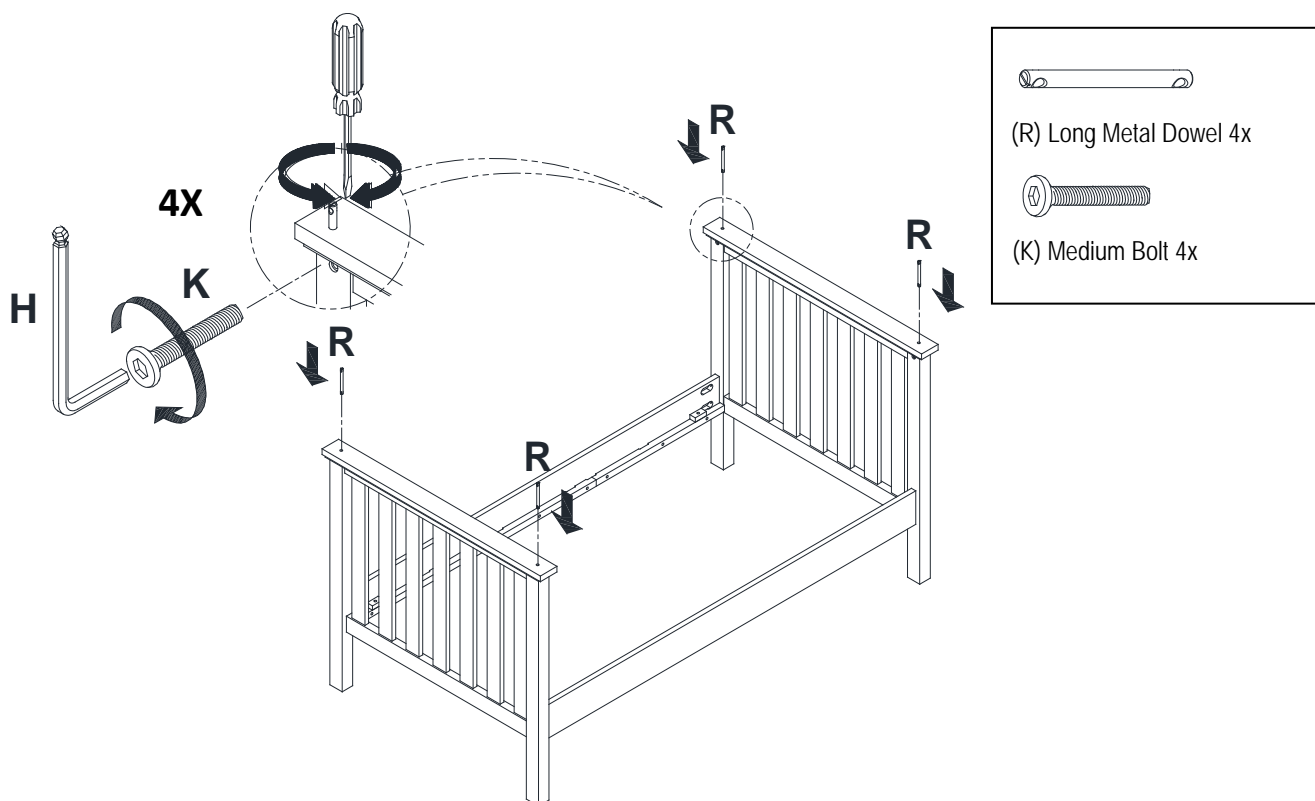


Option 2

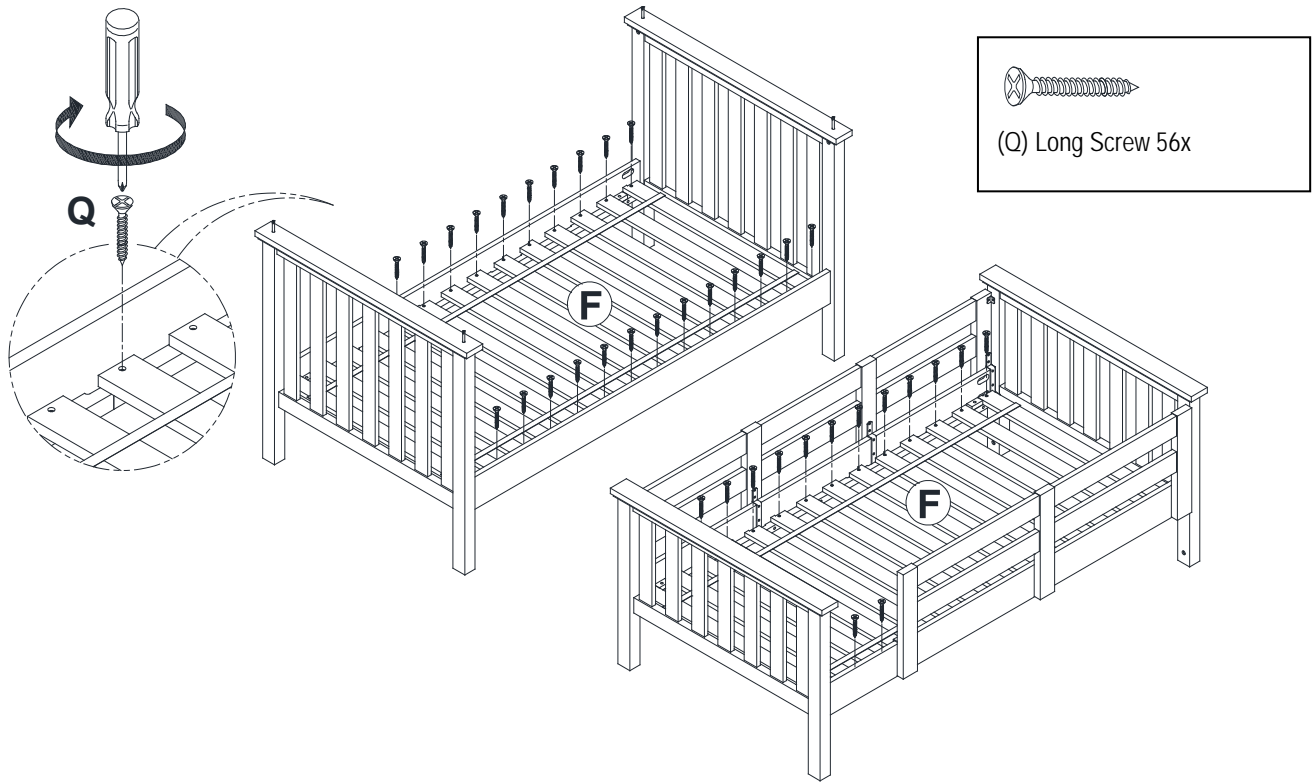
5. Fasten Guardrails (D) and (E) to the Side Rails (C) of the upper bunk using (14x) Short Wood Screws (P). Connect the two ends of Long Guardrail (D) and one end of Short Guardrail (E) to both Short End Boards (A) by using (6x) Machine Screw (O) to secure (3x) Corner Bracket (N). For the Short Guardrail (E), make sure there is no gap in between the guardrail end and the bed end structure (A) opposite the desired entry point before you start screwing the parts. Turn brackets on bottom of Guardrails and secure with (7x) Short Wood Screws (P) to underside of bed rails as shown.



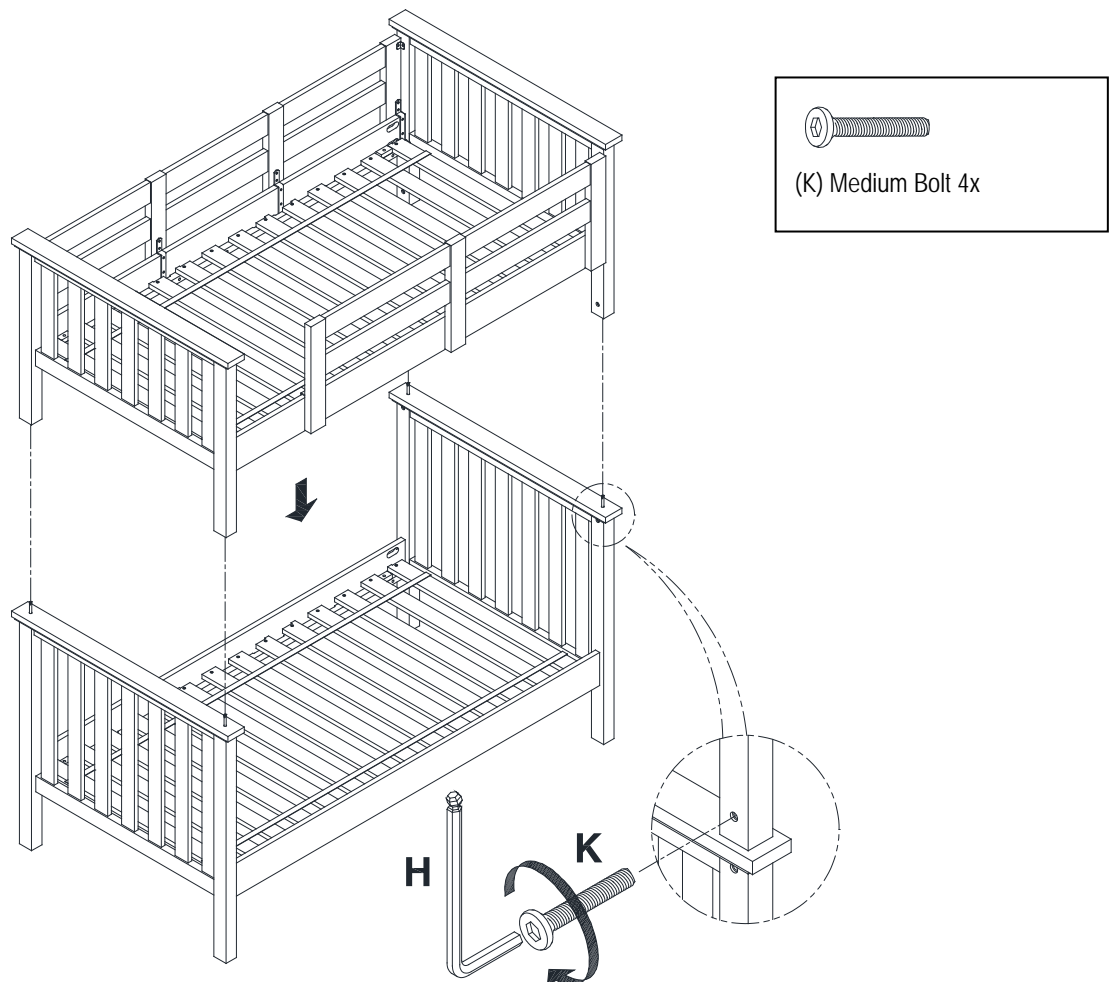
6. Insert (4x) Smooth Metal Dowel (R) into top of posts of lower bed assembly. Make sure the lower hole of each Metal Dowel (R) aligned with the hole on side of the post inserted. Secure the four metal dowels using (4x) Medium Bolt (K). Tighten each Medium Bolt (K) with Allen Key (H) while fixing the corresponding Metal Dowel (R) from the top with a Flat Head Screwdriver, as shown below.



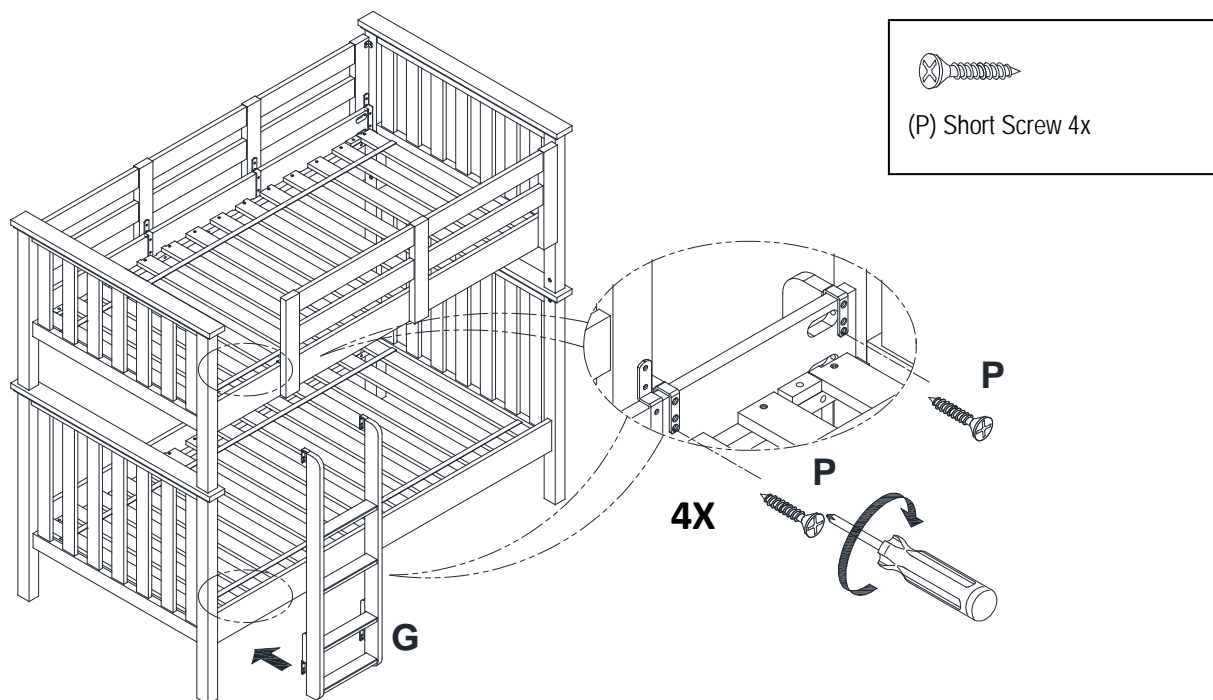
7. Assemble Slat Rolls (F) to bed frames using Long Wood Screws (Q) as shown.



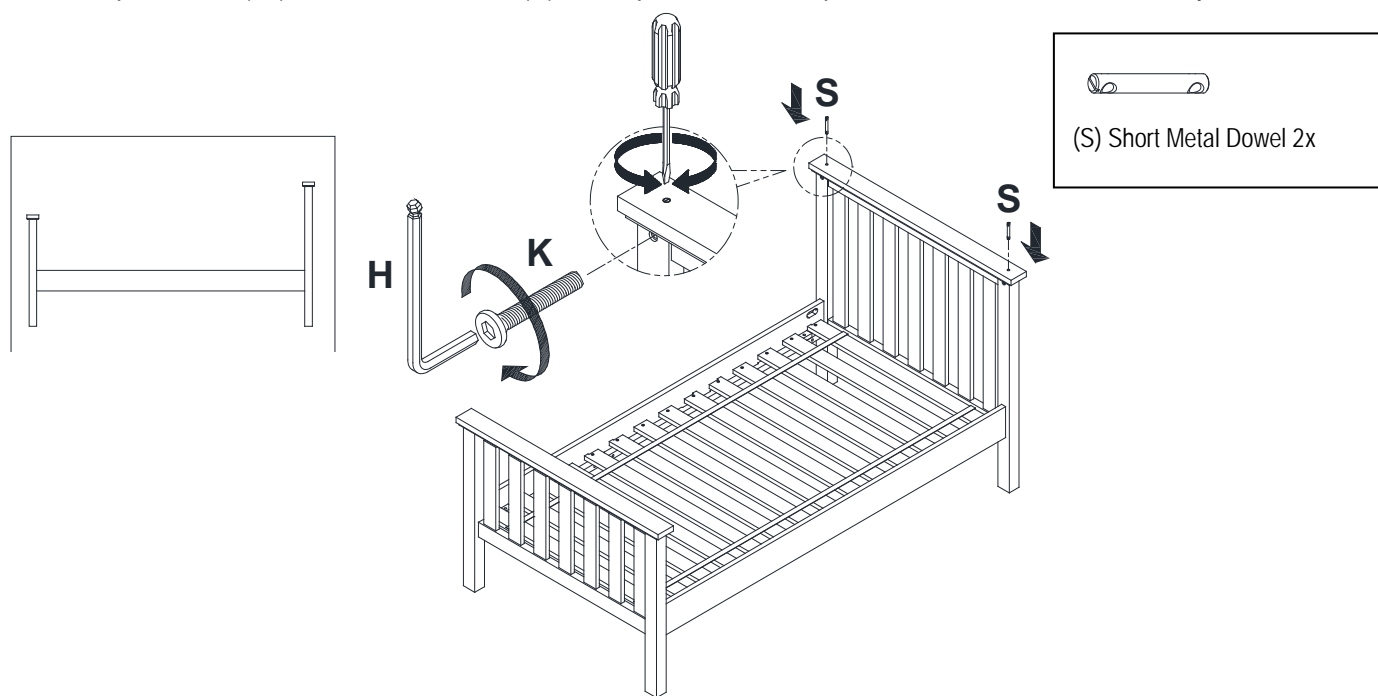
8. Lift upper bed over bottom bed and make sure Long Metal Dowels (R) are well inserted in bottoms of upper bed posts. Secure the joints using (4x) Medium Bolt (K). Tighten each Medium Bolt (K) into the upper hole of the corresponding Metal Dowel (R) with Allen Key (H), as shown below.



9. Hang Ladder (G) on the front Side Rails (C). Fasten the ladder to the side rails using (4x) Short Wood Screw (P) with a Philips Screwdriver as shown.



10. To convert the bunk bed into two twin beds, use Tall End Boards (B) as head boards and Short End Boards (A) as foot boards. Assemble beds following instructions in step 1 and 2. Assemble slats following instructions in step 7. Insert (2x) Short Metal Dowel (S) into top of headboard posts of each twin bed assembly.



Care Instructions:

- Dust often using a clean, soft, dry and lint-free cloth.
- Blot spills immediately and wipe with a clean, damp, cloth.
- We do not recommend the use of chemical cleansers, abrasives or furniture polish on our lacquered finish.
- Hardware may loosen over time. Periodically check to make sure all connections are tight. Re-tighten if necessary.

Thank you for your purchase
 Stores | catalog | www.potterybarnkids.com
 USA 1.800.290.8181