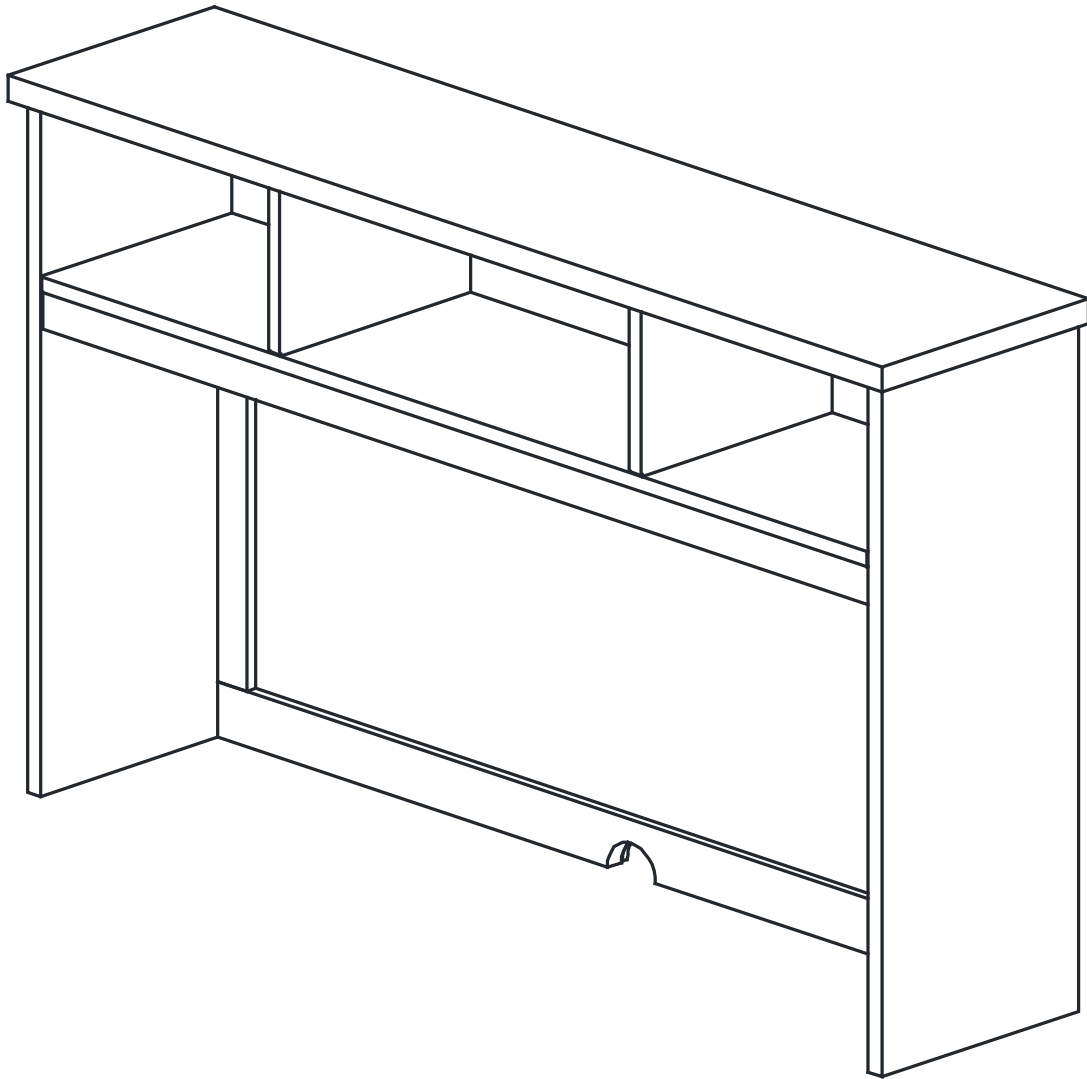


pottery barn kids



ELLIOT HUTCH

www.potterybarnkids.com

Important Safety Instructions:

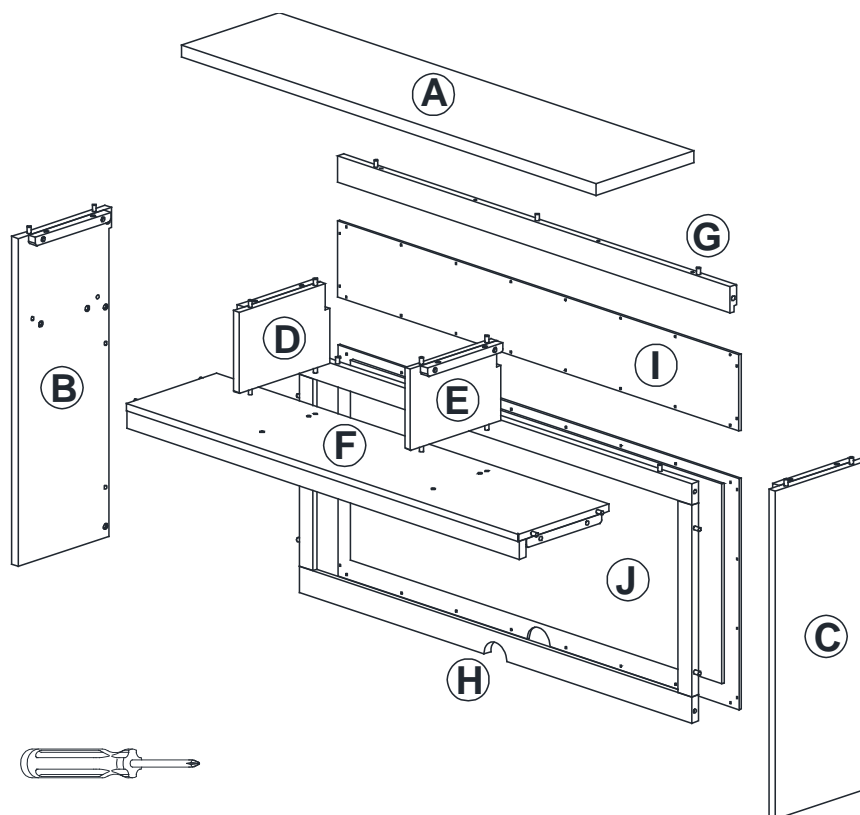
- Please read all instructions carefully before assembling this Hutch.
- For your safety, assembly by two or more adults is strongly recommended.
- Keep these instructions for future use.
- Use only vendor-supplied hardware to assemble this item. Using unauthorized hardware could jeopardize the structural integrity of the hutch.

Pre-assembly:

- Remove all parts and hardware from the box. Place all items on a carpeted or scratch-free work surface, as this will avoid damaging parts during assembly. The shipping box provides an ideal work surface.
- To avoid accidentally discarding small parts or hardware, do not dispose of any packaging or contents of the shipping carton until assembly is complete.
- Use the parts and hardware lists below to identify and separate each of the pieces included.
- The illustrations provided allow for easier assembly when used in conjunction with the assembly instructions.
- The use of power tools to aid in assembly is not recommended. Power tools can damage the hardware and split the wood.

Parts Included:

- (A) Top Panel (1x)
- (B) Left Side Panel (1x)
- (C) Right Side Panel (1x)
- (D) Left Divider (1x)
- (E) Right Divider (1x)
- (F) Shelf (1x)
- (G) Top Stretcher (1x)
- (H) Corkboard Frame (1x)
- (I) Upper Back Panel (1x)
- (J) Corkboard Panel (1x)



Parts Required:



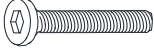




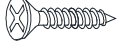
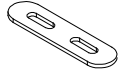

Elliot Desk (sold separately)

Tools Required:

Phillips Head Screwdriver (not included)






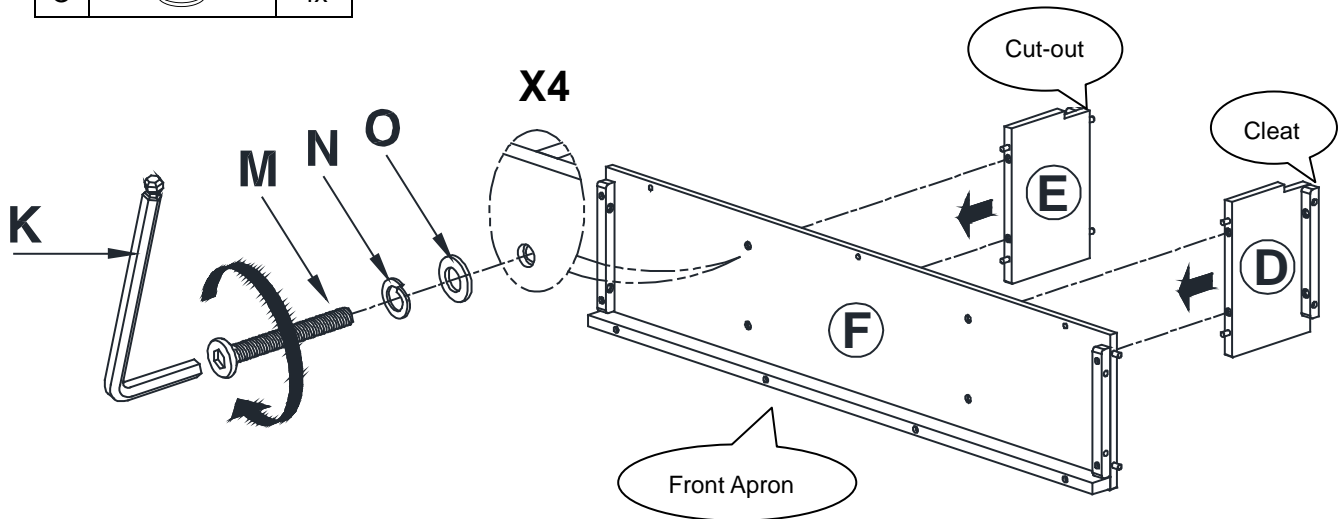
Hardware Included:

 (K) Allen Key – 1x	 (L) Long Bolt (1/4"x46mm) – 6x	 (M) Short Bolt (1/4"x25mm) – 16x
 (N) Spring Washer (1/4") – 22x	 (O) Flat Washer (1/4") – 22x	 (P) Half-Moon Washer – 6x
 (Q) Pan Head Wood Screw 4x25mm – 4x	 (R) Flat Head Wood Screw 3.5x15mm – 44x	 (S) Mending Plate – 2x
 (T) Machine Screw 5/32"x20mm – 4x		

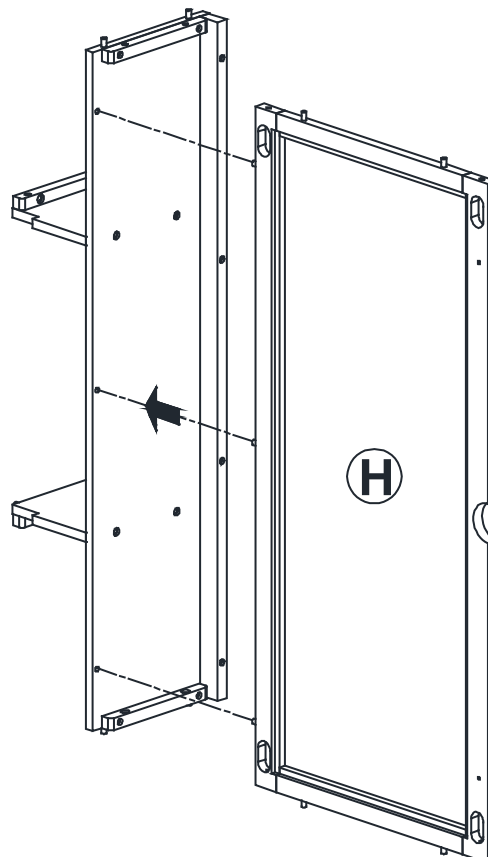
Assembly Instruction Steps:

1. Attach the Left & Right Dividers (D&E) to the Shelf (F), as shown below. Make sure the cut-outs on the dividers face to the REAR side of the shelf and the wooden cleats on the dividers face outwards, as seen below.
2. Insert 4 sets of: Short Bolt (M), Spring Washer (N), and Flat Washer (O) through the pre-drilled holes on the shelf and into the insert nuts pre-installed on the Left & Right Dividers, as seen below.
3. Secure with the supplied Allen Key (K). **Do not fully tighten.**



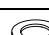
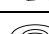
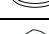
M		4x
N		4x
O		4x

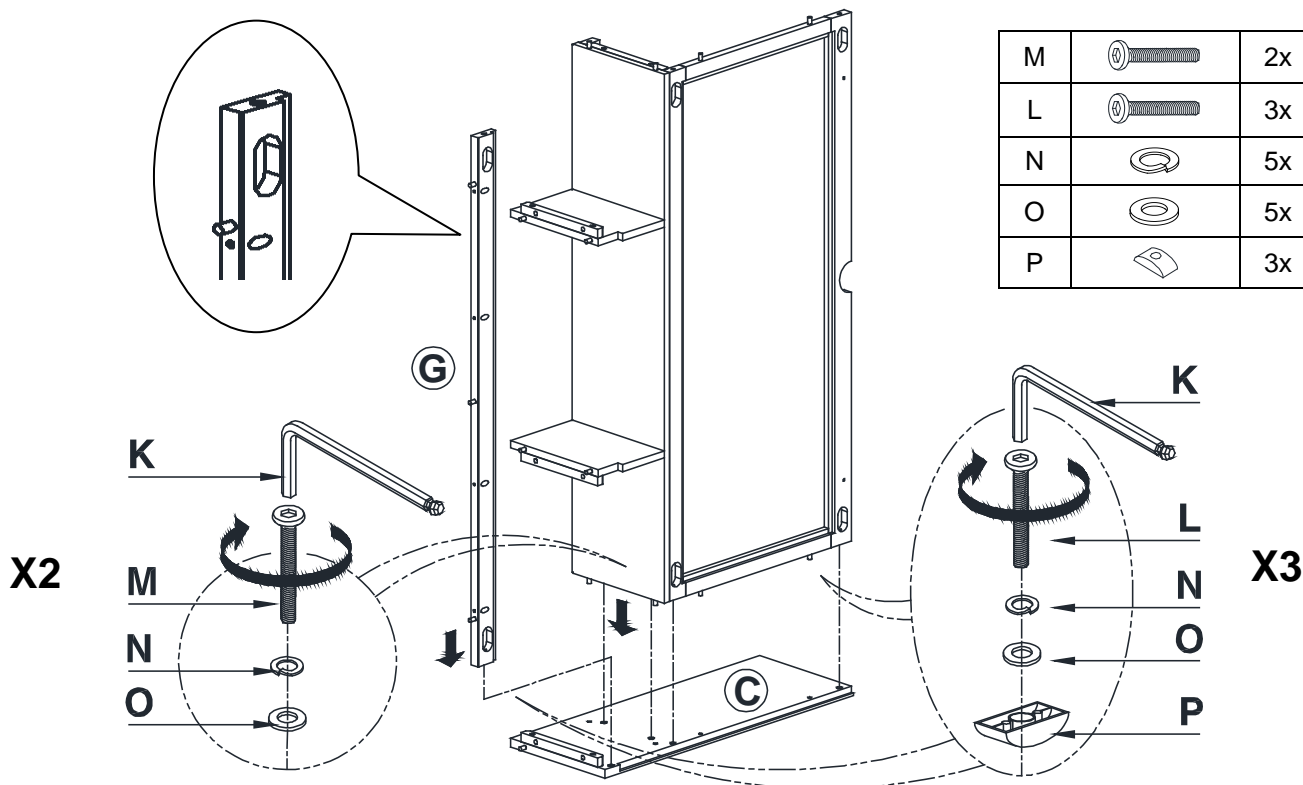


4. Attach the Corkboard Frame (H) to the bottom of Shelf (F), with the wooden dowels and pre-drilled holes aligned, as seen below. Make sure the oval cut-outs on the Corkboard Frame (H) face to the REAR side of the Shelf (F).

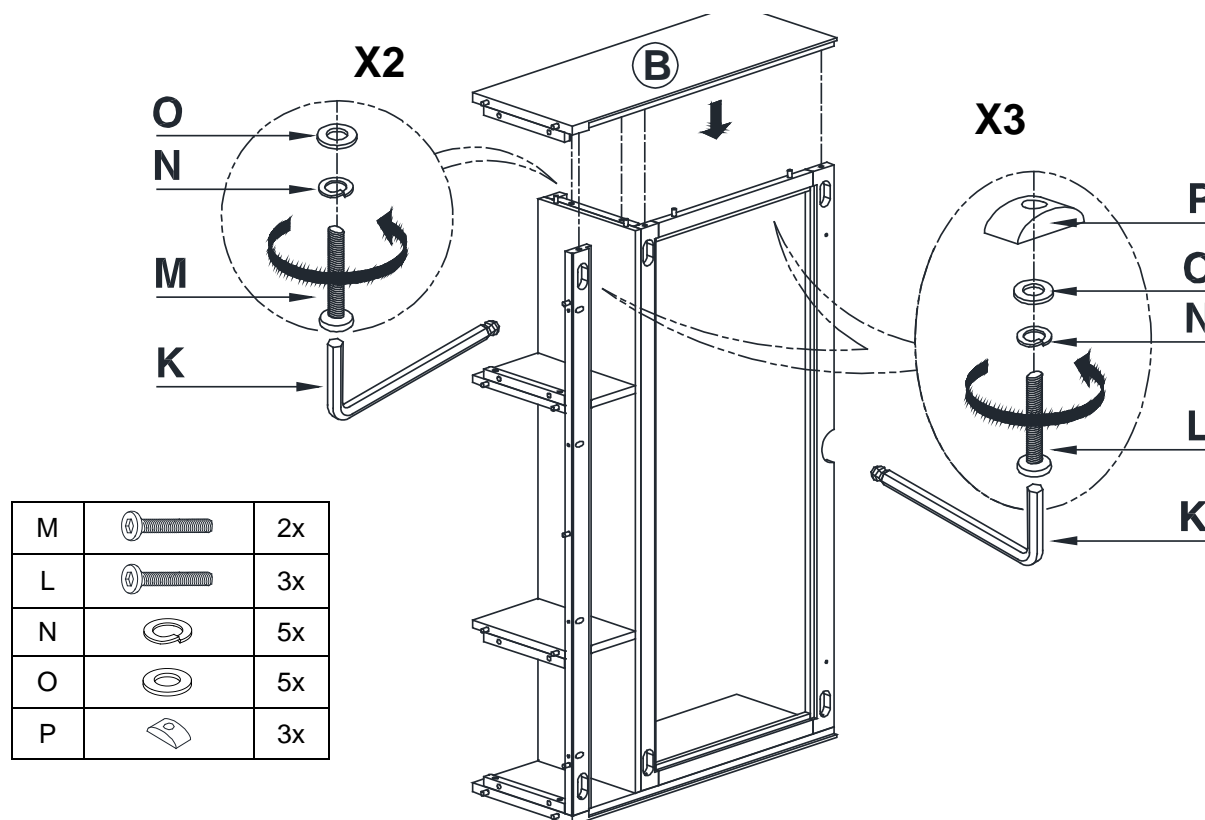





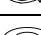

- Attached the assembled piece (D/E/F/H) and Top Stretcher (G) to the Right Side Panel (C), with the wooden dowels and pre-drilled holes aligned, as shown below. Make sure all cut-outs on the Top Stretcher (G) and Corkboard Frame (F) face to the REAR side, as shown below
- Insert 3 sets of: Long Bolt (L), Spring Washer (N), Flat Washer (O), and Half-Moon Washer (P) from the oval cut-outs on the back of the Corkboard Frame and Top Stretcher, and into the Right Side Panel (C). **Do not fully tighten.**
- Insert 2 sets of: Short Bolt (M), Spring Washer (N), and Flat Washer (O) from the pre-drilled holes on the wooden cleat under Shelf (F), and into the Right Side Panel (C), as seen below.
- Secure with Allen Key (K). **Do not fully tighten.**

M		2x
L		3x
N		5x
O		5x
P		3x

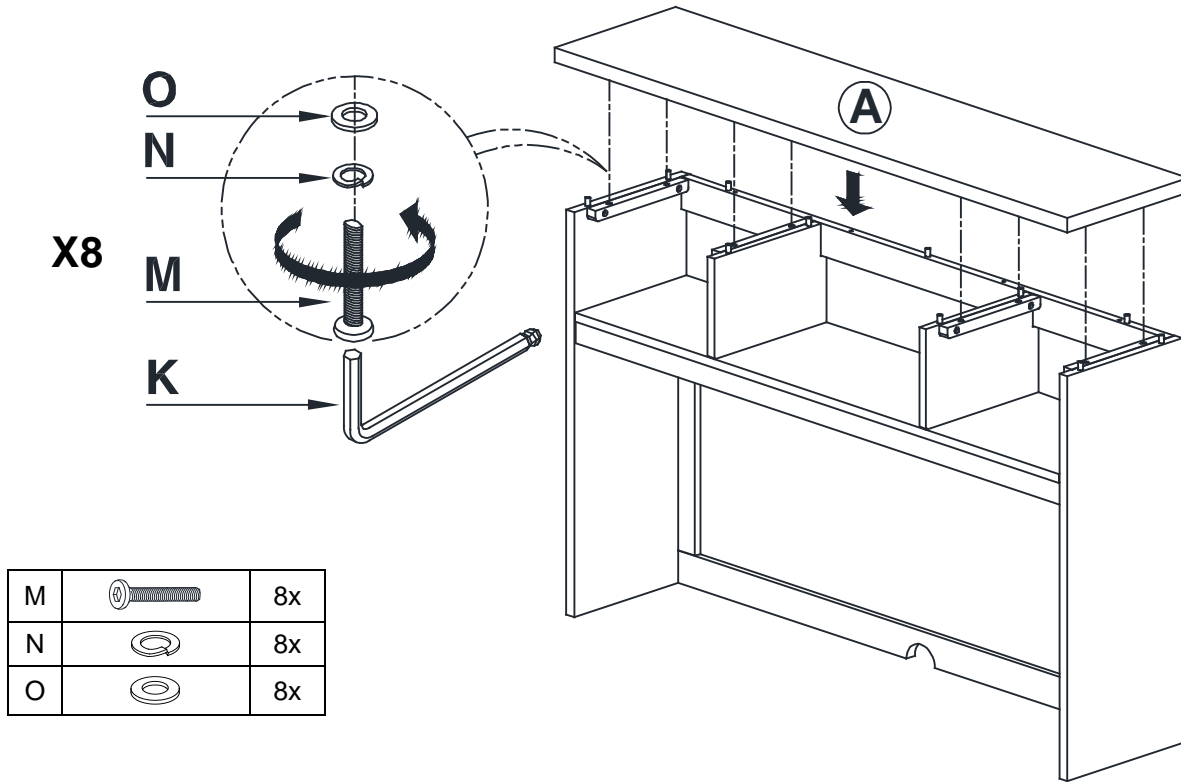


- Repeat steps #5 – 8 to assemble the Left Side Panel (B) to the assembled piece, as seen in the illustration below.

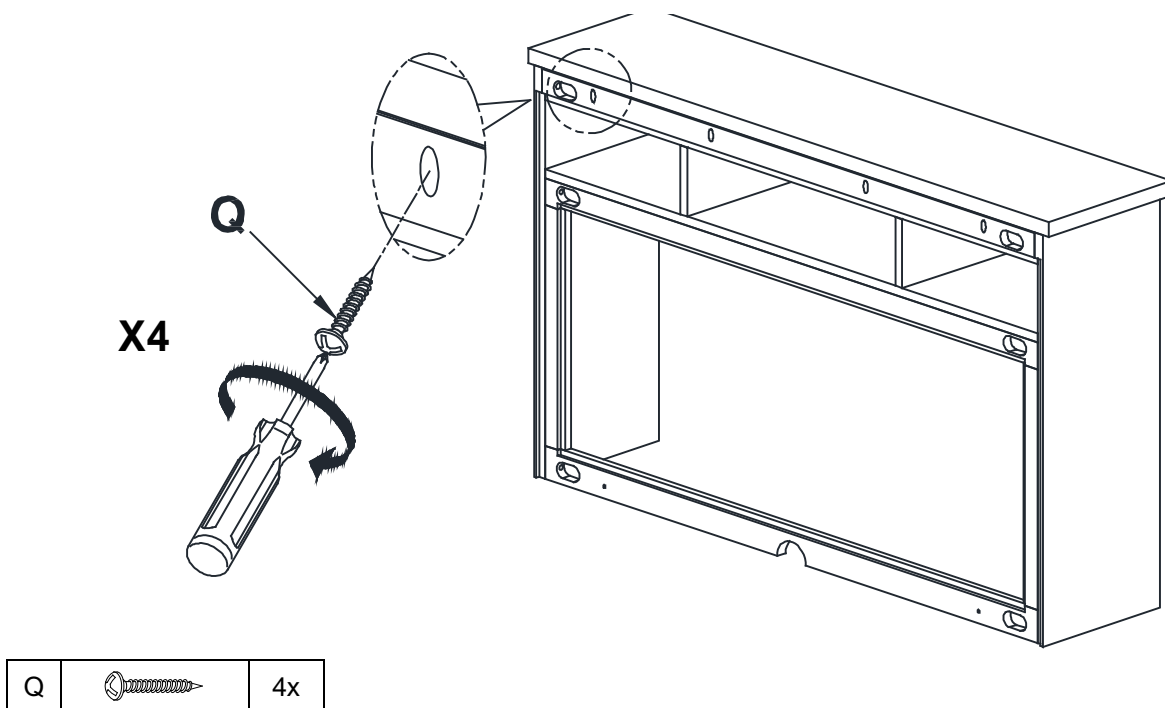


M		2x
L		3x
N		5x
O		5x
P		3x

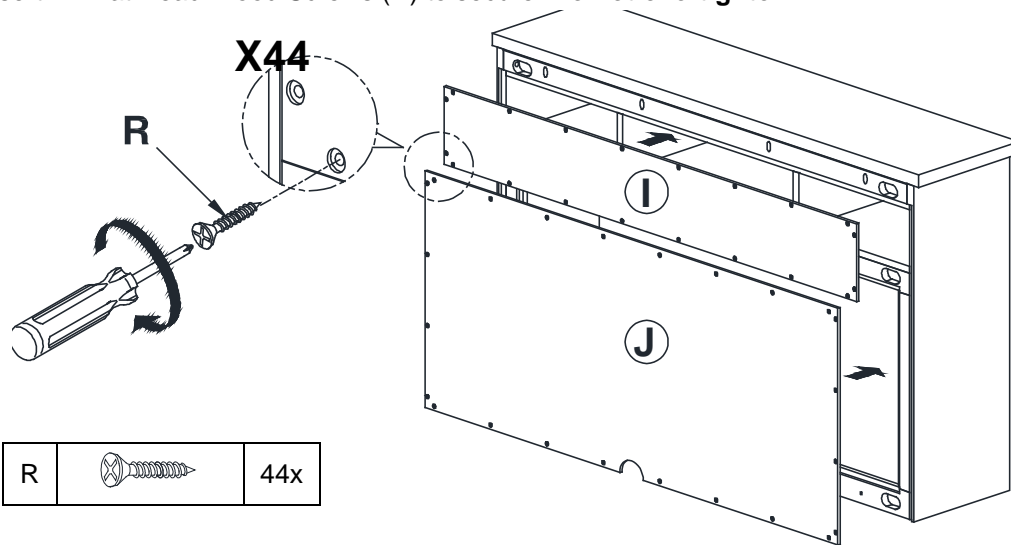
10. With the help of another person, carefully turn the assembled Hutch upright.
11. Attach Top Panel (A) onto the assembled Hutch, with the pre-drilled holes and exposed wooden dowels aligned.
12. Insert 8 sets of: Short Bolt (M), Spring Washer (N), and Flat Washer (O) from the pre-drilled holes on the wooden cleats of the Side Panels/Dividers and into Top Panel (A), as seen below.
13. Secure with Allen Key (K). **Do not fully tighten.**
14. Check alignments and tighten all connecting bolts. **Do not over tighten.**



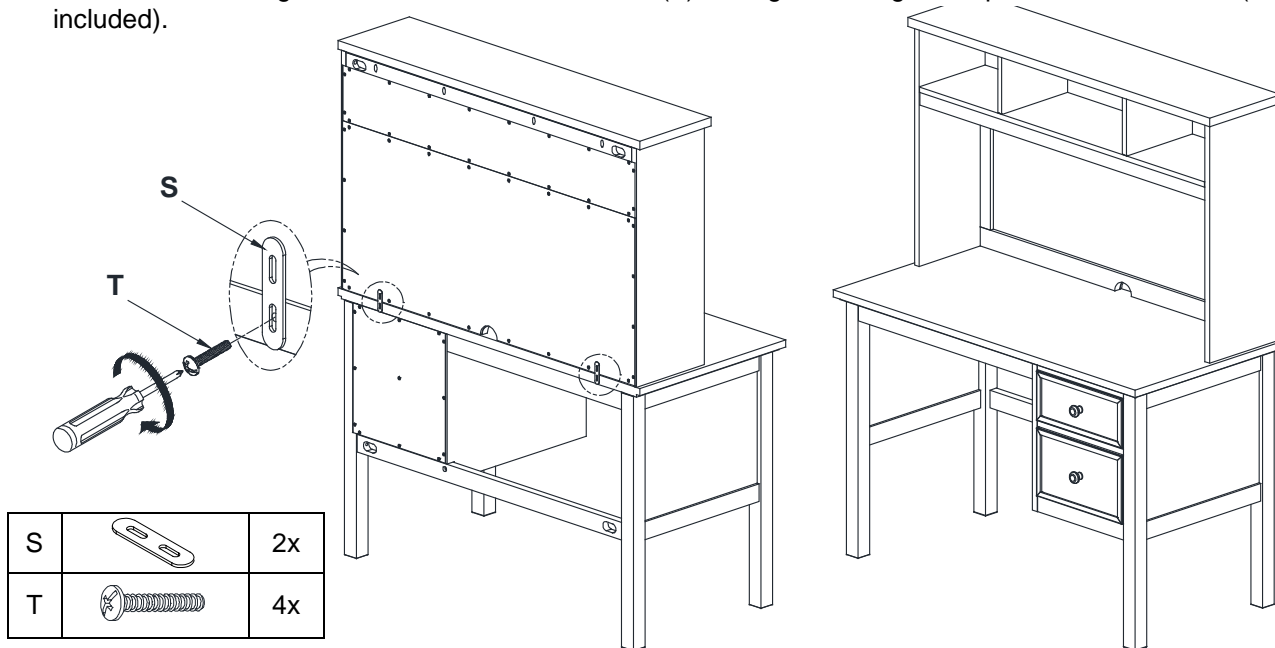
15. Insert 4 Pan Head Wood Screws (Q) from the pre-drilled holes on the back of the Top Stretcher (G) and into the Top Panel (A), as seen below. **Do not over tighten.**



16. Attach the Upper Back Panel (I) to the rear side of the assembled hutch. Make sure the counter sunk holes are facing outwards, as seen below.
17. Insert 20 Flat Head Wood Screws (R) to secure. **Do not overtighten.**
18. Attach Corkboard Panel (J) to rear side of the assembled hutch.
19. Insert 24 Flat Head Wood Screws (R) to secure. **Do not overtighten.**



20. Place the Elliot Hutch onto the Elliot Desk (**sold separately**). Make sure the Hutch is flush to the rear side, as seen in the illustration below.
21. Place 2 Mending Plates (S) over the metal inserts found on the rear side of the Desk and Hutch.
22. Secure the Mending Plates with 4 Machine Screws (T) and tighten using a Philips Head Screwdriver (Not included).



23. **NOTE: Installation of the Anti Tip Kit is REQUIRED.** Please follow the separate instructions to secure the Hutch to the wall- using the tipping-restraint kit included
24. If needed, adjust the levelers (in or out) underneath the bottom of each leg of the Desk to keep the whole set level.

Care Instructions:

- Dust often using a clean, soft, dry, and lint-free cloth.
- Blot spills immediately and wipe with a clean, damp cloth.
- We do not recommend the use of chemical cleansers, abrasives, or furniture polish on our lacquered finish.
- Hardware may loosen over time. Periodically check to make sure all connections are tight. Re-tighten if necessary.

Thank you for your purchase
 Stores | catalog | www.potterybarnkids.com
 USA 1.800.290.8181