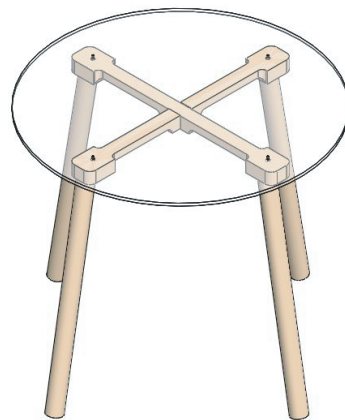




**NICO & YEYE**

# ACRYLIC TABLE



## PRE-ASSEMBLY:

- Adult assembly required.
- Please review product assembly manual before using and or attempting to assemble furniture.
- Please review our Warnings and Warranty manual.
- Remove all parts and hardware from the box and lay out on a flat, carpeted, or scratch-free surface, this will avoid damaging any parts during assembly. Do not dispose of any contents until assembly is completed to avoid accidentally discarding.
- Do not fully tighten all bolts until all parts are in place. Failure to follow these instructions may cause the bolts to misalign during assembly.
- If using power tools to aid in assembly please use caution. Power tools can damage hardware or split wood.

## CUSTOMER SERVICE

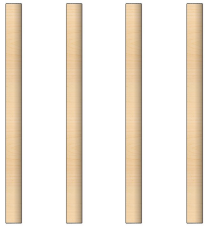
If you are missing parts or have any questions about this product, please contact us at [customerservice@nicoandyeeye.com](mailto:customerservice@nicoandyeeye.com) or (866) NIC YEYE

# ASSEMBLY INSTRUCTIONS

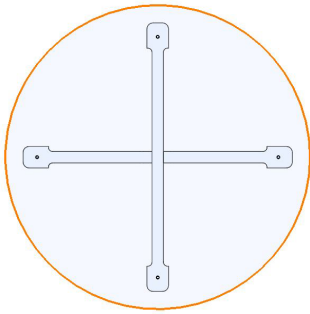
## PARTS IDENTIFIER

NOTE: PARTS NOT SHOWN TO ACTUAL SIZE

A

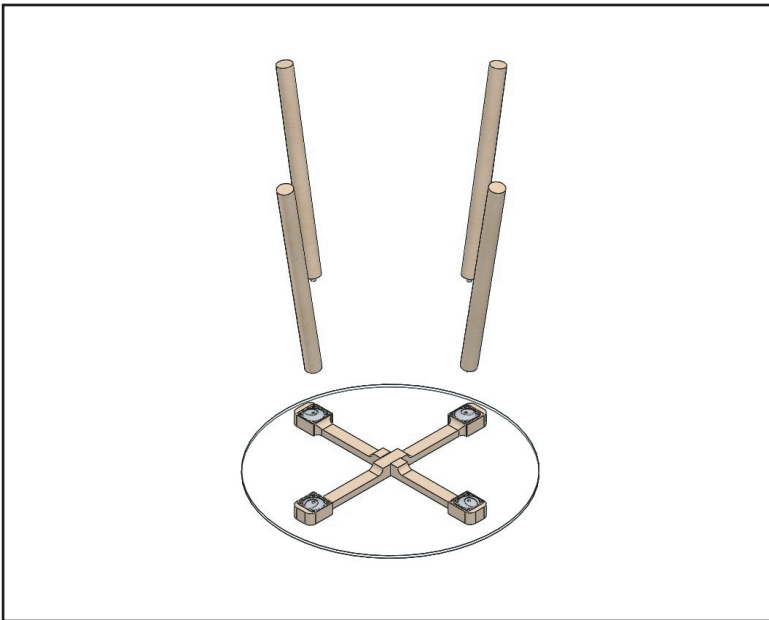


B

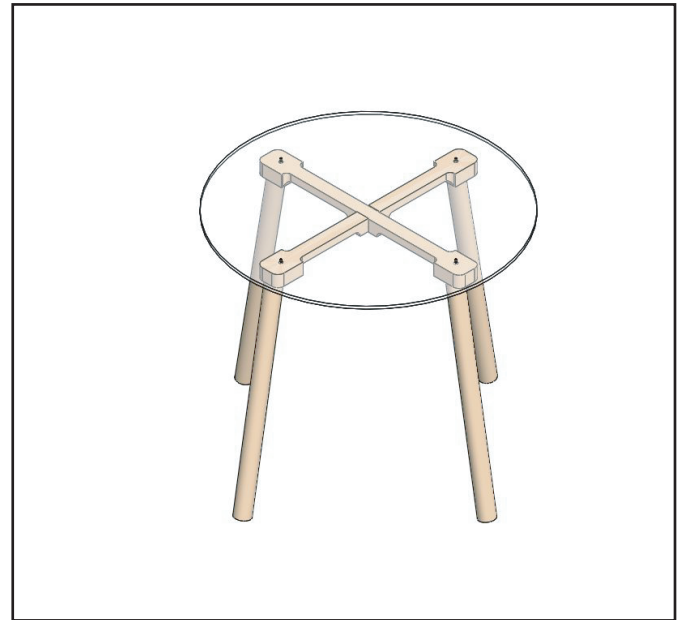


## PARTS

PART	DESCRIPTION	QUANTITY
A	Table top	1
B	Table legs	4



Lay table top (A) on level ground. Screw table legs (B) in to Table top (A).



Enjoy!