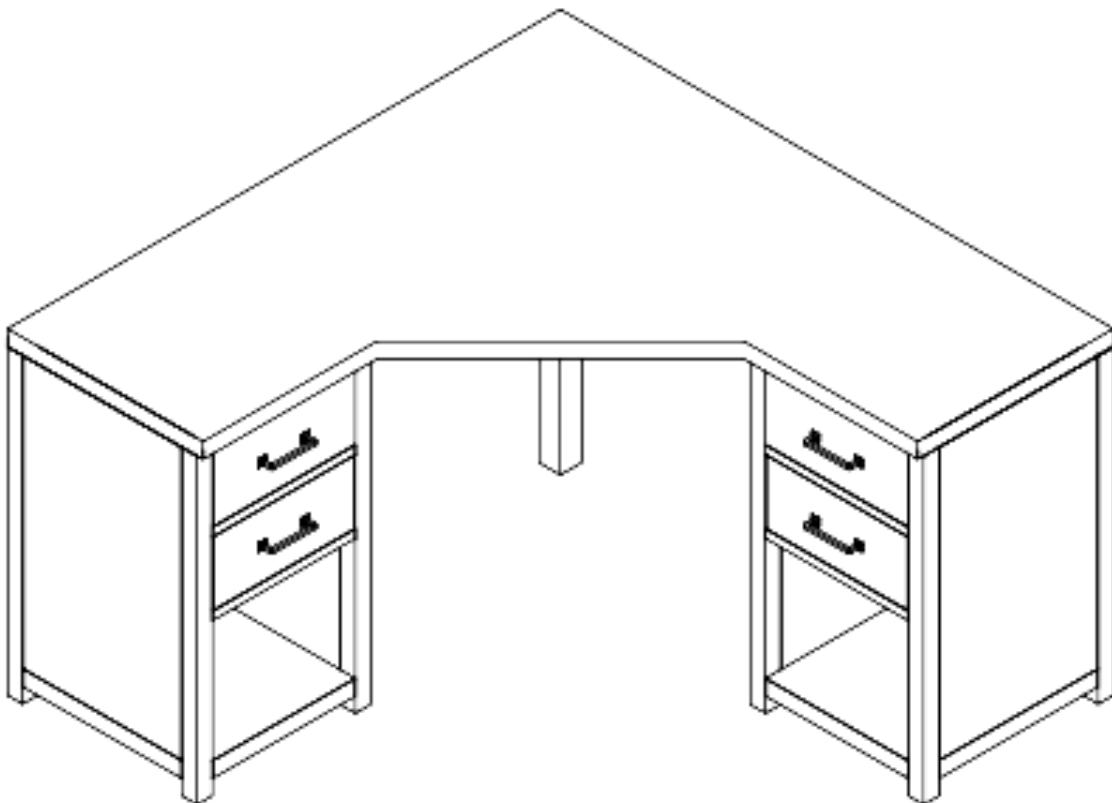
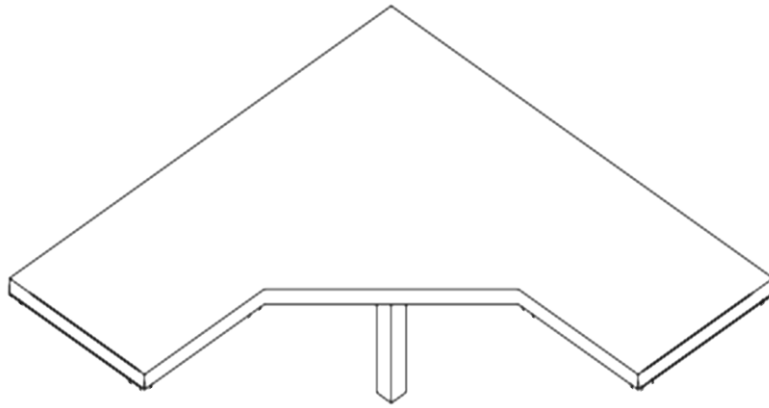


# pottery barn kids



## EVERETT MODULAR DESK LARGE CORNER TOP

[www.potterybarnkids.com](http://www.potterybarnkids.com)

**Important Safety Instructions:**

- Please read all instructions carefully before assembling this desk.
- For your safety, assembly by two or more adults is strongly recommended.
- Keep these instructions for future use.
- Use only vendor-supplied hardware to assemble this item. Using unauthorized hardware could jeopardize the structural integrity of the item.

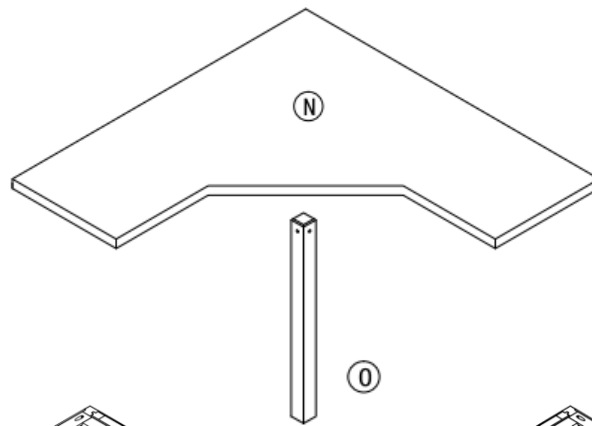
**Pre-assembly:**

- Remove all parts and hardware from the box. Place all items on a carpeted or scratch-free work surface, as this will avoid damaging parts during assembly. The shipping box provides an ideal work surface.
- To avoid accidentally discarding small parts or hardware, do not dispose of any packaging or contents of the shipping carton until assembly is complete.
- Use the parts and hardware lists below to identify and separate each of the pieces included.
- The illustrations provided allow for easier assembly when used in conjunction with the assembly instructions.
- The use of power tools to aid in assembly is not recommended. Power tools can damage the hardware and split the wood.

**Parts Included:**

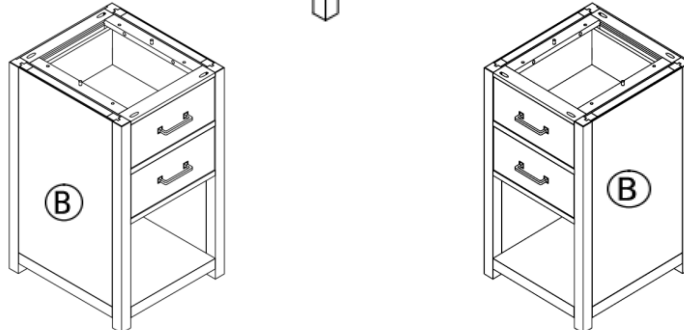
(N) Desk Top - 1x

(O) Leg- 1x



**Parts Required:**

(B) Drawer Base - 2x (sold separately)









**Tools Required:**





Philips Head Screwdriver (not included)



**Hardware Included:**

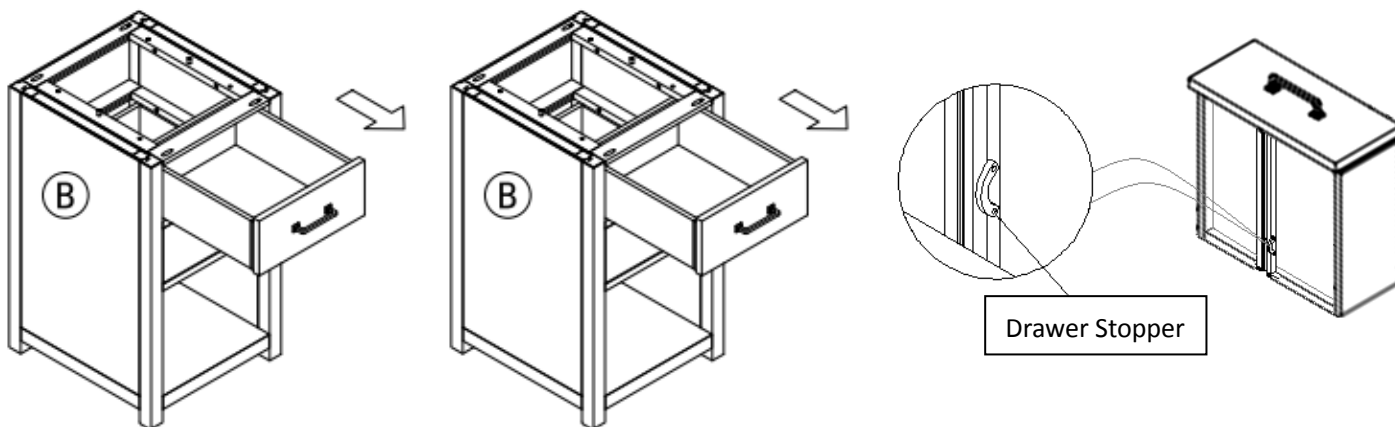
<p>C – Mending Plate 65 x 20 x 2-1x</p> 	<p>D – Machine Screw 5/32 x 1/2" -2x</p> 		
<p>F - Spring Washer 1/4" x Φ11 x 1.2 -4x</p> 	<p>P – Bolt 1/4" x 3/4" -4x</p> 	<p>Q – Bolt Screw 1/4" x 25 -4x</p> 	<p>R – Metal Bracket 126 x 126 x 53 -1x</p> 

**Hardware Required (From Drawer Base):**




<p>E – Flat Washer 1/4" x Φ13 x 1-8x</p> 	<p>F - Spring Washer 1/4" x Φ11 x 1.2- 8x</p> 	<p>G – Bolt 1/4" x 1" - 8x</p> 	<p>H - Allen Key M4 x 110mm x 30-1x</p> 
--	---	---	---

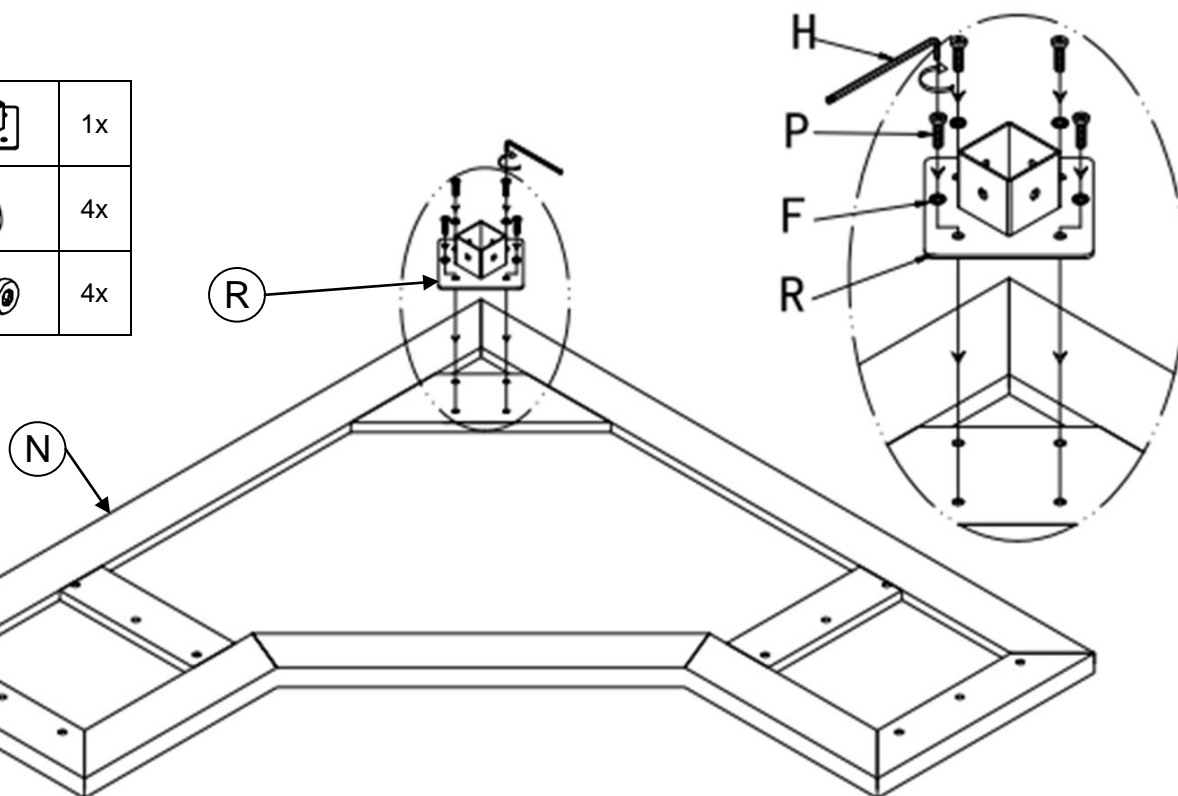
**Assembly Instruction Steps:**

1. Remove the Top Drawer from (B) and set it aside.
  - The drawer is equipped with 1 rubber stopper that prevents the drawer from being removed during normal operation.
  - During assembly the drawer can be removed with minor force, as the rubber stoppers will bend to allow the drawer to be completely removed.
  - When removing the drawer, it **MUST** be removed at a straight angle. If it is not straight, the drawer will stick on the wooden runners.



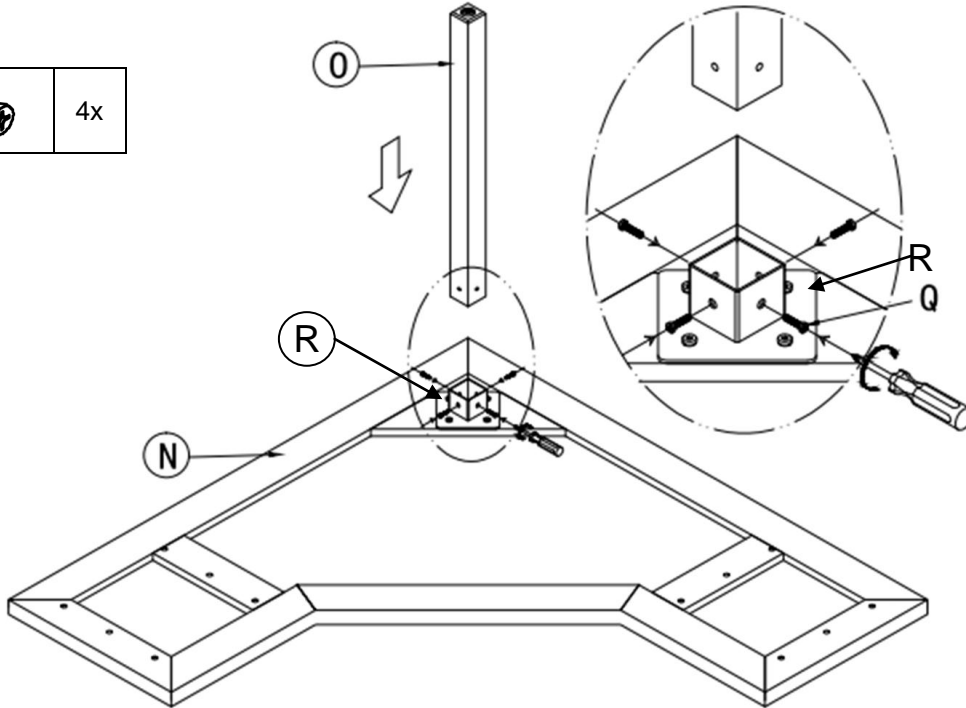
2. Attach (R) to (N) and secure with the hardware, as shown in the illustration below. **Do not over tighten.**

R		1x
F		4x
P		4x



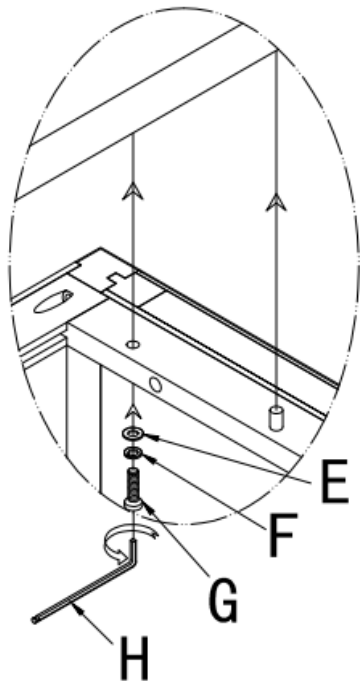
3. Attach (O) to (R) and secure with (Q), as shown in the illustration below. A Philips Head Screw Driver is required to tighten. **Do not over tighten.**

Q		4x
---	---	----






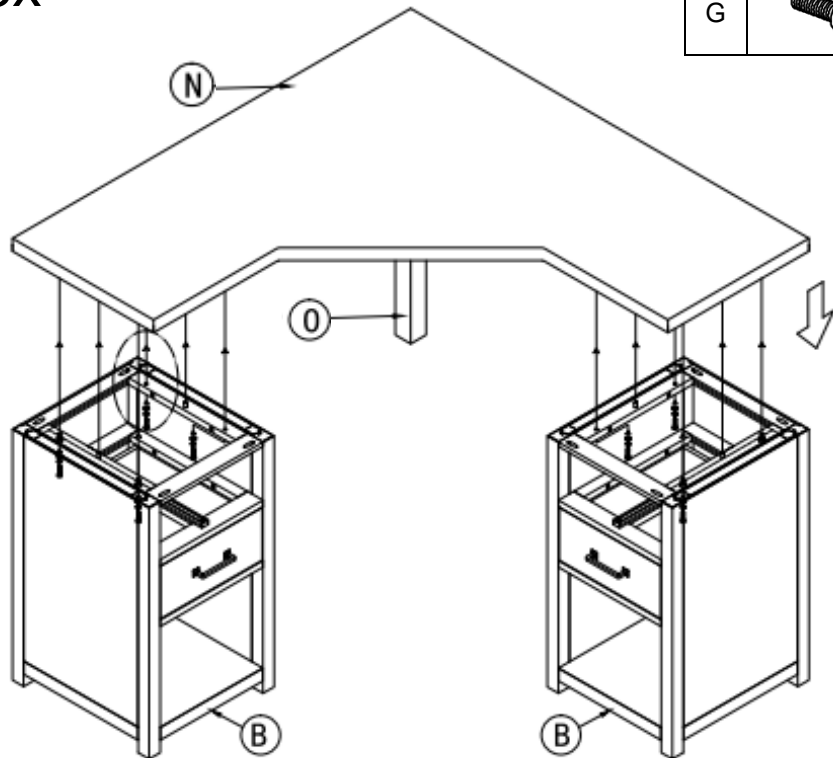
4. Attach the assembled Desk Top to (B) by aligning the pre-drilled holes with the wooden dowels and secure with the hardware, as shown below. **Do not fully tighten.**

5. Check alignments and fully tighten all connections at this time. **Do not over tighten.**



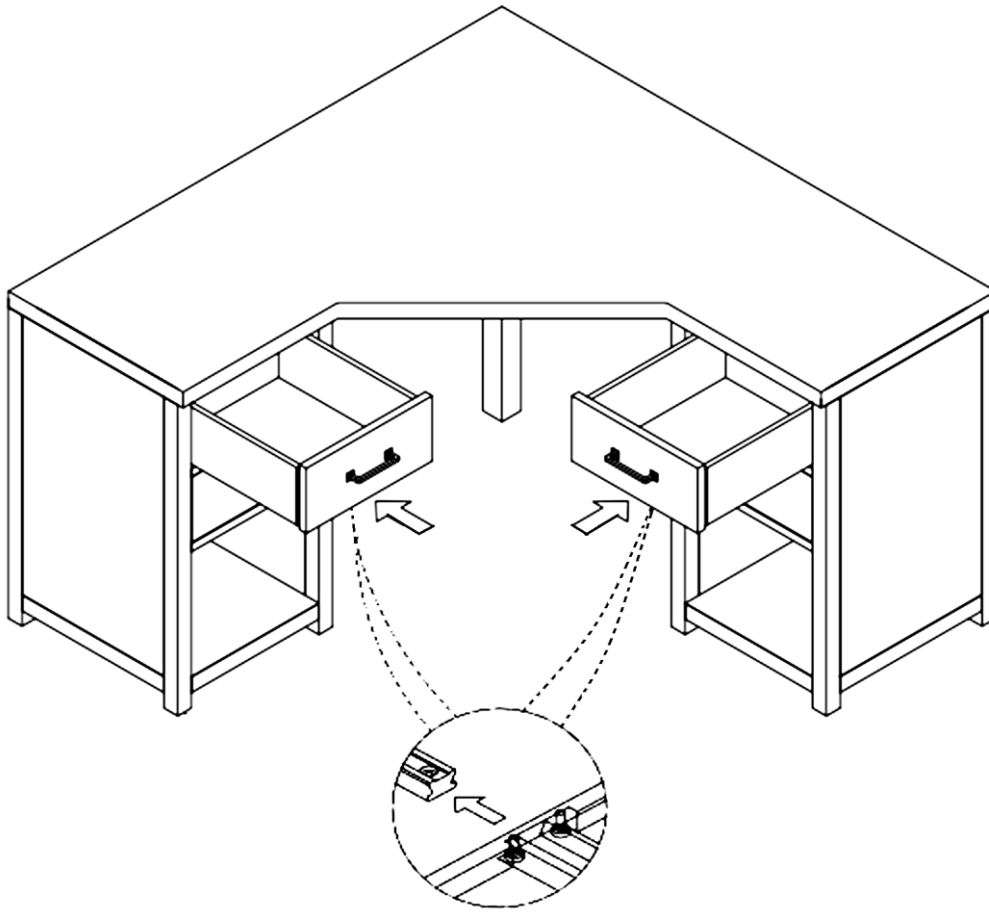
8x

E		8x
F		8x
G		8x

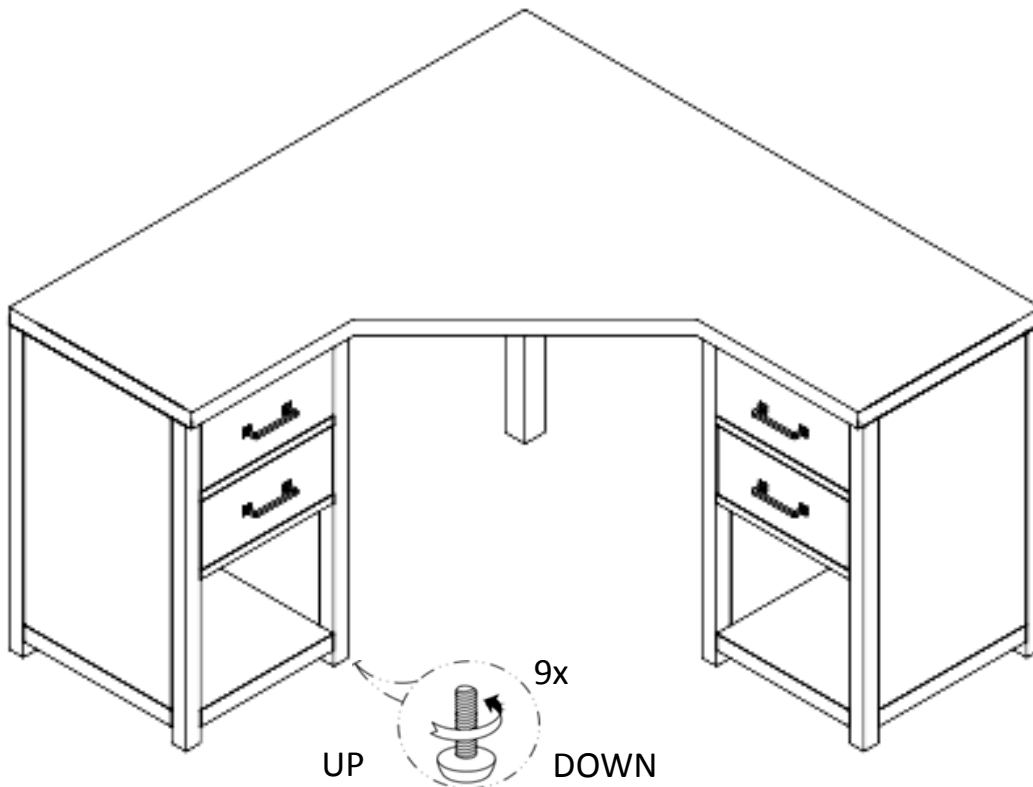


6. Put the Drawers back into the Drawer Bases (B) by bending the rubber stoppers as needed to allow the drawer to enter the Drawer Base.

- This will require some force to get the drawers back into the Drawer Bases.
- Make sure the wooden drawer runners and the rubber stoppers are properly aligned as you re-install the drawer

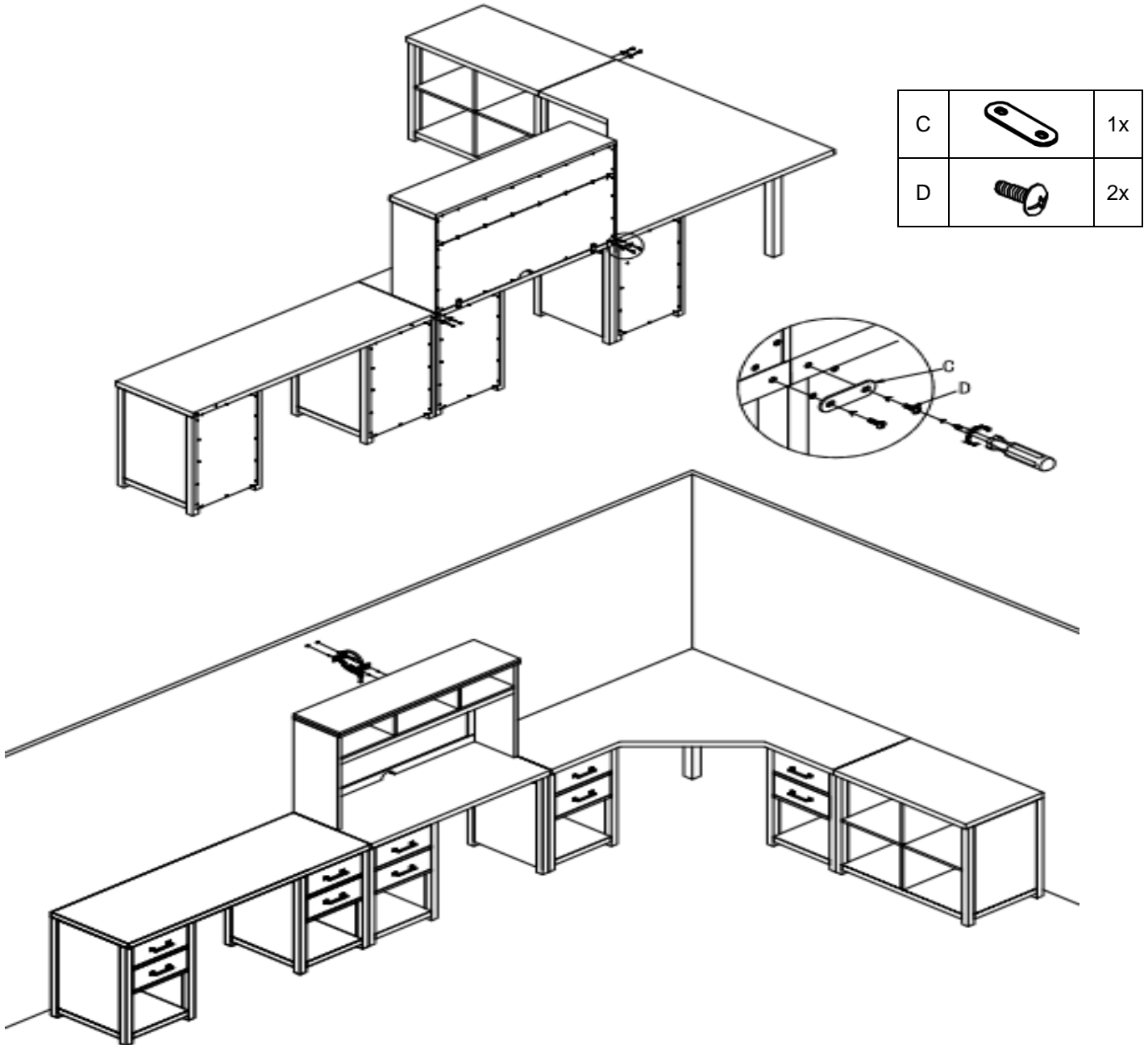


7. If the desk does not sit level adjust the levelers underneath the legs, as seen in the illustration below.



**Multiple Desks can be combined together by following the assembly instructions below:**

8. Place the Desks in the desired location.
9. Align the Desks together.
10. Place a Mending Plate (C) over the metal insert holes on the rear side of the Desk Tops, as seen below.
11. Insert 2 Machine Screws (D) through each of the pre-drilled holes of the Mending Plate and then into the metal insert holes on the Desk Tops.
12. Tighten all screws with a Phillip Head Screw Driver (not included).



**Care Instructions:**

- Dust often using a soft, dry, and clean lint-free cloth.
- Blot spills immediately and wipe with a clean, damp cloth.
- We do not recommend the use of chemical cleansers, abrasives, or furniture polish on our lacquered finish.
- Hardware may loosen over time. Periodically check to make sure all connections are tight. Re-tighten if necessary.

Thank you for your purchase.  
stores | catalog | [www.potterybarnkids.com](http://www.potterybarnkids.com)  
USA 1.800.290.8181