

pottery barn kids



CHARLIE 4 IN 1 CRIB TODDLER BED CONVERSION KIT

www.potterybarnkids.com



WARNING ENTRAPMENT/STRANGULATION

HAZARD:

- Infants have died in toddler beds from entrapment and strangulation.
- Failure to follow these warnings and assembly instructions could result in serious injury or death.
- NEVER use bed with children under 15 months.
- NEVER place bed near windows where cords from blinds or drapes may strangle a child.
- Read all instructions before assembling toddler bed. KEEP INSTRUCTIONS FOR FUTURE USE.
- **DO NOT** use a water mattress with this toddler bed.
- Never use plastic shipping bags or other plastic film as mattress covers because they can cause suffocation.
- **DO NOT** place bed near windows where cords from blinds or drapes may strangle a child.
- **Do not** place items with a string, cord, or ribbon around the child's neck, such as hood strings or pacifier cords.
- **Do not** suspend strings over a toddler bed or attach strings to toys.
- If refinishing, use a non-toxic finish specified for children's products.
- If included, always use guardrail(s).

CAUTION: ANY MATTRESS USED IN THIS TODDLER BED MUST BE AT LEAST 27 1/4" (69 CENTIMETERS) BY 51 5/8" (131 CENTIMETERS) WITH A THICKNESS NOT EXCEEDING 6" (15 CENTIMETERS) BUT AT LEAST 4" (10 CENTIMETERS).

THIS BED IS FOR CHILDREN OVER 15 MONTHS OF AGE WEIGHING NO MORE THAN 50 POUNDS (22.7 kg).

04-000032-7

IMPORTANT SAFETY INSTRUCTIONS:

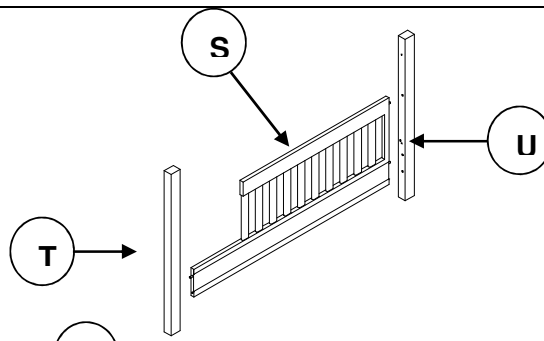
- Please read all instructions carefully before assembling.
- For your safety, assembly by two or more adults is recommended.
- Keep instructions for future use.
- Use only vendor supplied hardware to assemble. Using unauthorized hardware could jeopardize the structural integrity of the item.
- Do not remove warning labels from the crib. Labels are permanent and not designed to be removed.

PRE-ASSEMBLY:

- Remove all parts and hardware from the box and place them on a carpet, or scratch-free work surface, as this will avoid damaging parts during assembly. The shipping box provides an ideal work surface.
- To avoid accidentally discarding small parts or hardware, do not dispose of any packaging or contents of the shipping carton until assembly is complete.
- Use the parts and hardware lists below to identify and separate each of the pieces included.
- The illustrations provided allow for easier assembly when used in conjunction with the assembly instructions.
- The use of power tools to aid in assembly is not recommended. Power tools can damage hardware and split wood.

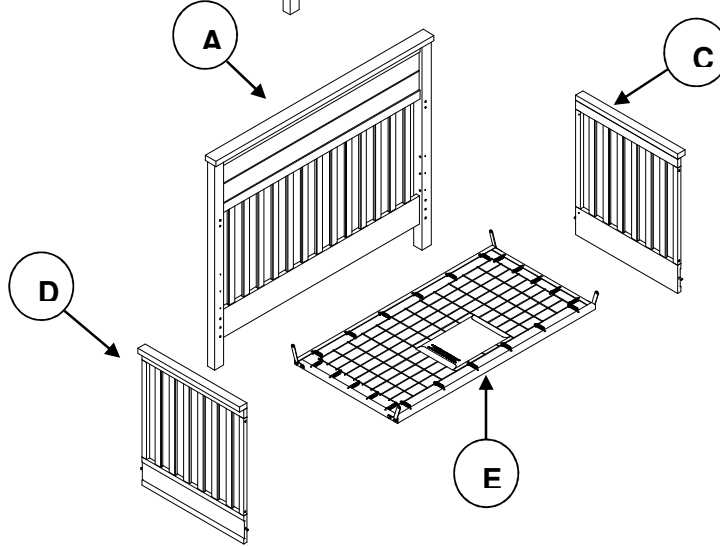
PARTS INCLUDED:

- (S) Guard Rail (1x)
- (T) Left Post (1x)
- (U) Right Post (1x)

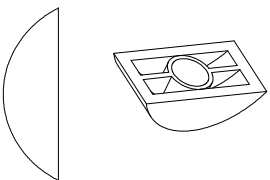
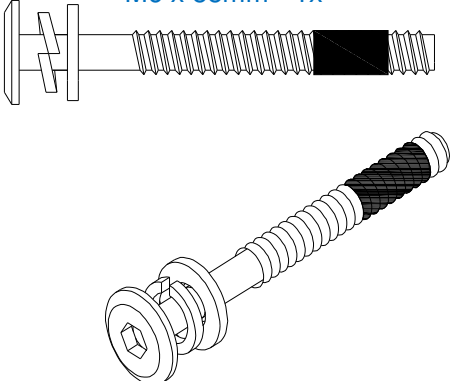
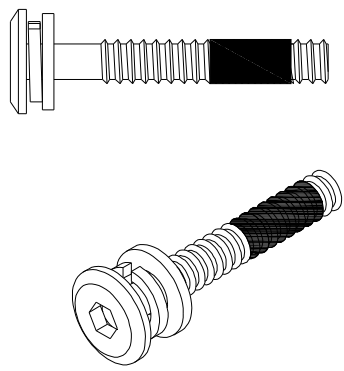


CRIB PARTS (Sold separately):

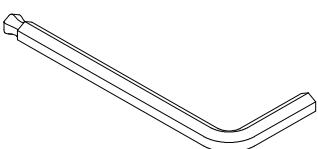
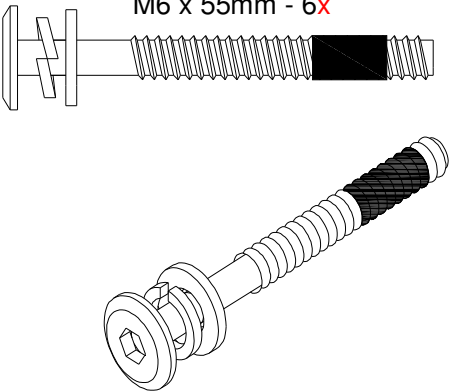
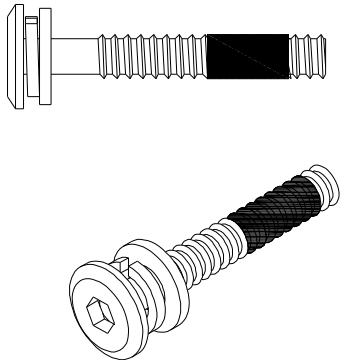
- (A) Headboard (1x)
- (C) RightSide (1x)
- (D) LeftSide (1x)
- (E) Mattress Base (1x)



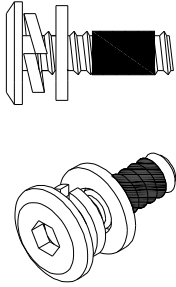
HARDWARE INCLUDED

<p>(V) Half moon washer 1/4" x24mm - 3x</p> 	<p>(G) Long Allen Bolt M6 x 55mm - 1x</p> 	<p>(H) Medium Allen Bolt M6 x 40mm - 1x</p> 
---	---	---

HARDWARE INCLUDED (From Crib):

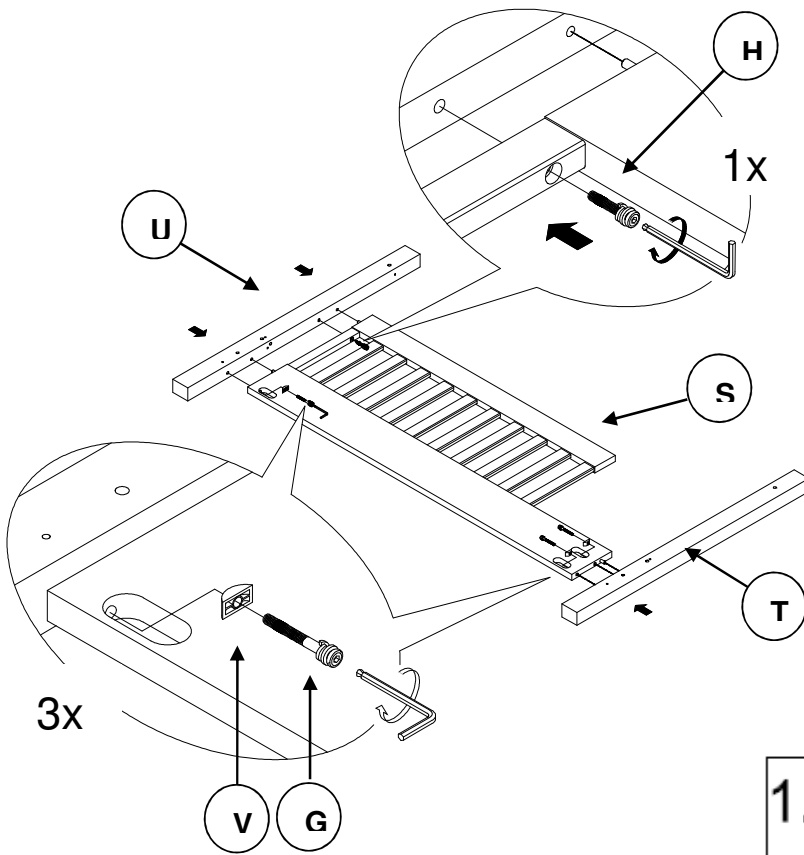
<p>(F) Allen key with ball tip - 1x</p> 	<p>(G) Long Allen Bolt M6 x 55mm - 6x</p> 	<p>(H) Medium Allen Bolt M6 x 40mm - 4x</p> 
---	---	---

(I) Short Allen Bolt
M6 x 20mm - 4x



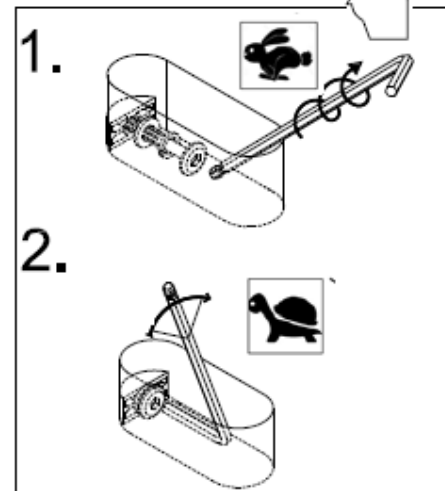
ASSEMBLY INSTRUCTIONS:

1. Attach (T&U) to (S) by aligning wooden dowels with pre-drill holes as shown below. **Do not fully tighten.**
* **Tip:** See **image A** for ease of assembly. **Do not over tighten.**

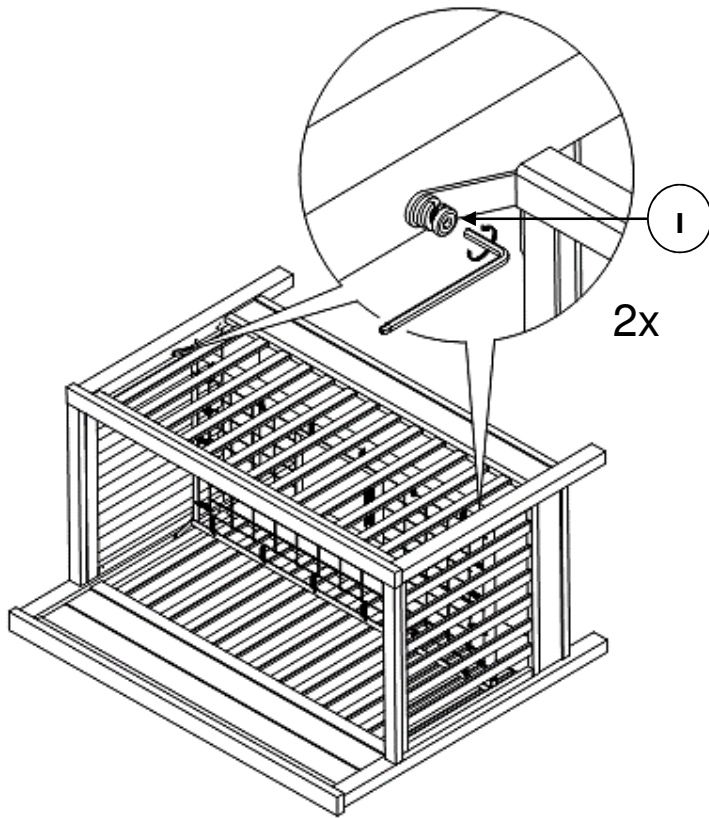


V		3x
G		3x
H		1x

Image A

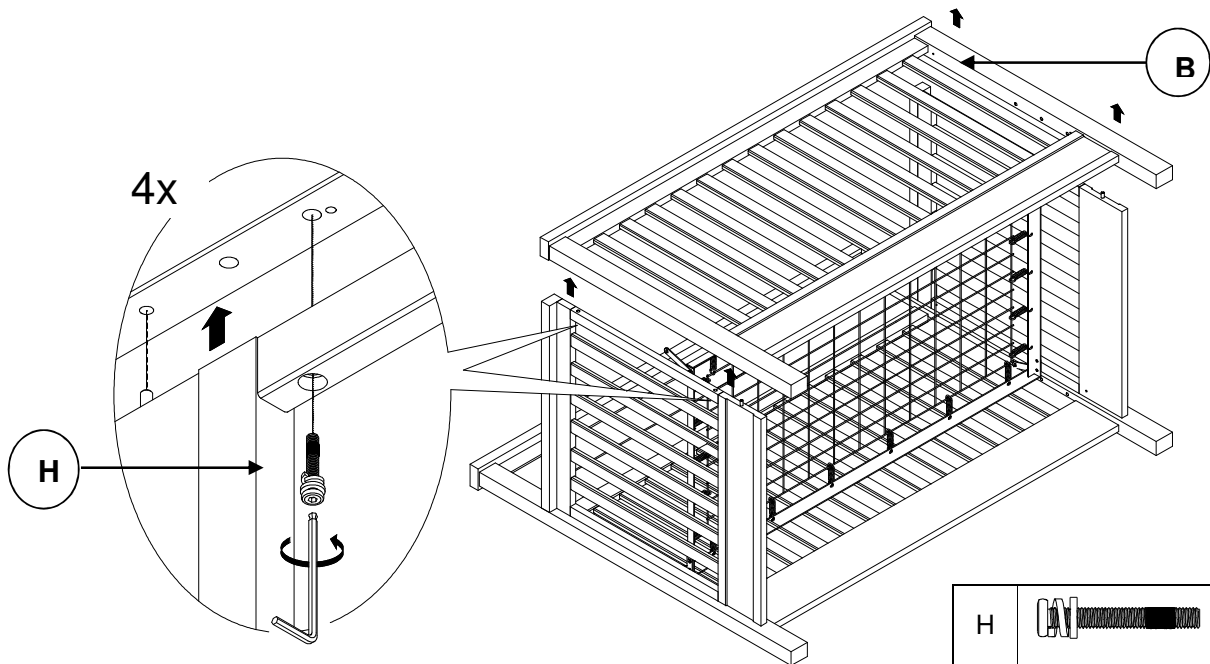


2. With the help of another adult, carefully turn the crib and place it on a scratch-free surface as shown below.
 3. Remove 2 front bolts (I) as shown below.
- Note: Keep (I) aside for later use on toddler bed assembly.**



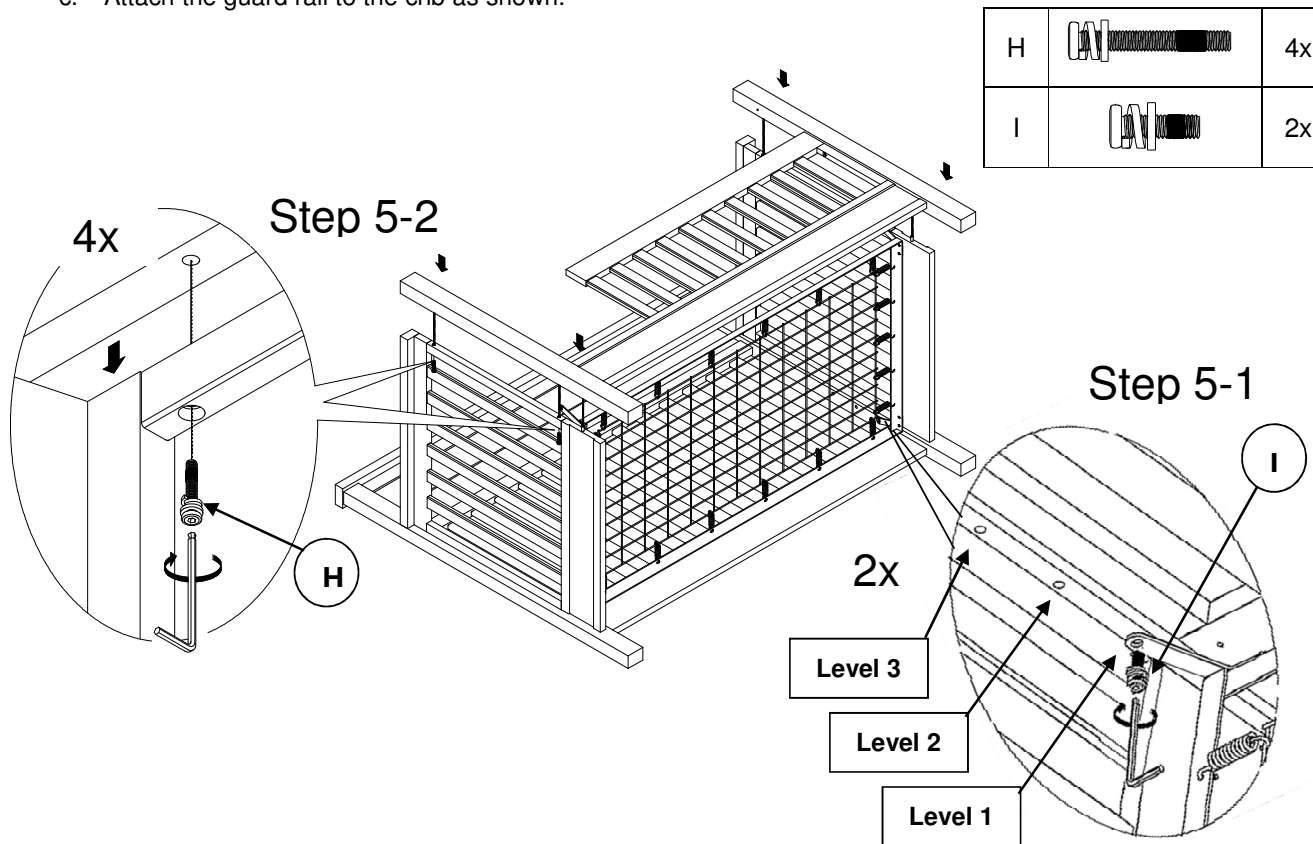
I		2x
---	--	----

4. Remove (B) as shown below.
- Note: Keep (H) aside for later use on toddler bed assembly.**

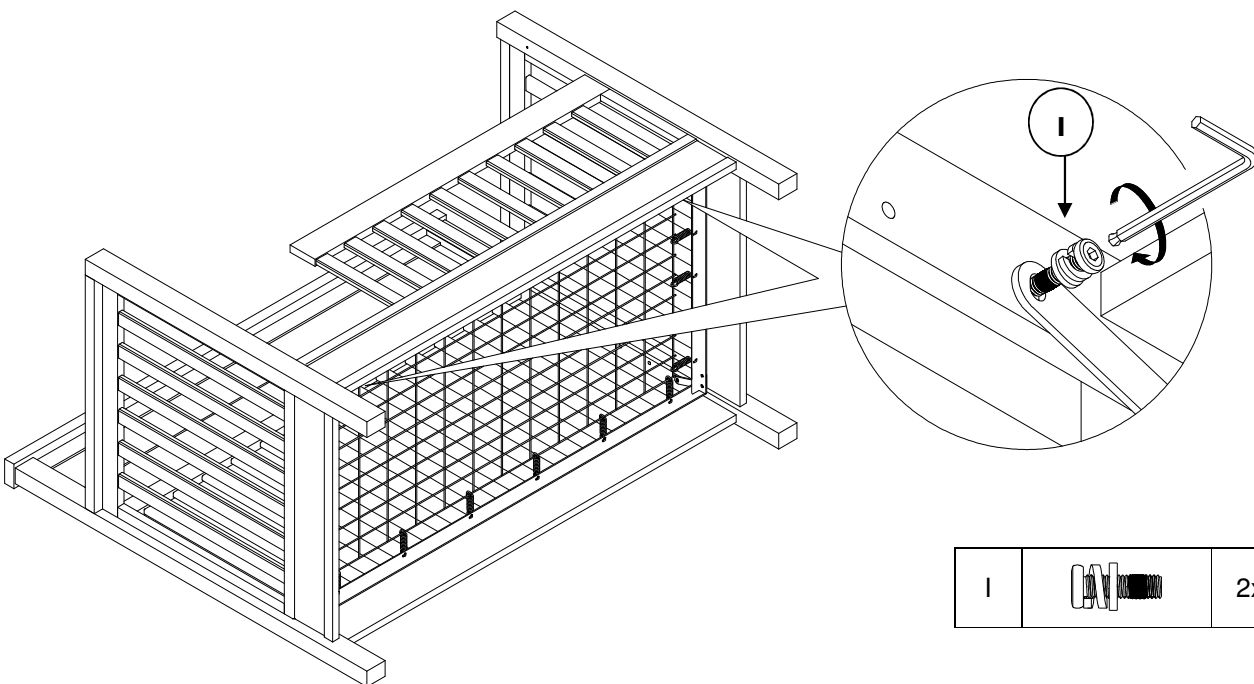


H		4x
---	--	----

5. **Note: The mattress base (E) should be at the lowest level (Level 1) for a Toddler bed. If your mattress base is not at the lowest level, follow instructions below to change.**
- Remove the mattress base from the high position by removing the 2 back bolts (I)
 - Attach the mattress base to the lowest level (Level 1) by re-using the above back bolts (I)
 - Attach the guard rail to the crib as shown.



6. Secure Mattress Base (E) to guard rail post (T&U) at the lowest level same with another end. **Do not fully tighten.**



7. Turn assembled **Toddler bed** upright.
8. Check alignments and fully tighten all connections at this time. **Do not over tighten.**
9. Assembly is now complete.
10. Place the assembly instructions back into the envelope mounted on the mattress base for future reference.



CARE INSTRUCTIONS

- Dust often using a clean, soft, dry, lint-free cloth.
- Blot spills immediately, and wipe with a clean, damp cloth.
- We do not recommend the use of chemical cleansers, abrasives, or furniture polish on our lacquered finish.
- If the crib is to be stored, store in cool dry place and carefully package all original hardware to protect from loss or damage.
- Check fasteners periodically for tightness. **DO NOT** over tighten, as this may cause distortion or breakage.
- Parents should ensure a safe environment for the child by checking the crib regularly that every component is properly and securely in place, before placing the child in the product.

Thank you for your purchase.
stores | catalog | www.potterybarnkids.com
USA 1.800.290.8181