

# pottery barn kids



## TREEHOUSE BUNK

[www.potterybarnkids.com](http://www.potterybarnkids.com)



**WARNING:** Failure to follow these warnings and assembly instructions could result in serious injury or death. To help prevent serious or fatal injuries from entrapment or falls:

- Read all instructions before assembling bunk bed.
  - Before each usage or assembly, inspect bunk bed for damaged hardware, loose joints, missing parts or sharp edges. DO NOT use bunk bed if any parts are missing or broken.
  - DO NOT use substitute parts. Contact pottery barn kids for replacement parts and instructional literature if needed.
  - Follow the information on the warnings appearing on the upper bunk end structure and on the carton. DO NOT REMOVE WARNING LABEL FROM BED.
  - Always use the recommended size mattress or mattress support, or both, to help prevent the likelihood of entrapment or falls.
  - Ensure thickness of mattress on upper bunk does not exceed 9 inches and the surface of mattress must be at least 5 inches (127 mm) below the upper edge of guardrails.
  - Only use the 9" thickness mattress on the lower bunk.
  - Ensure both upper and lower bunk are assembled to the highest position when using the product as a bunk bed.
  - Use only mattress which is 74"-75" long and 37.5"-38.5" wide on upper and lower bunk.
  - Do not allow children under 6 years of age to use the upper bunk.
  - Periodically check and ensure that the guardrail, ladder, and other components are in their proper position, free from damage, and that all connectors are tight.
  - Do not allow horseplay on or under the bed and prohibit jumping on the bed.
  - Prohibit more than one person on the upper bunk.
  - Always use the ladder for entering and leaving the upper bunk.
  - Use of a night light may provide added safety precaution for a child using the upper bunk.
  - Always use guardrails on both long sides of the upper bunk. If the bunk bed will be placed next to the wall, the guardrail that runs the full length of the bed should be placed against the wall to prevent entrapment between the bed and wall.
  - The use of water or sleep flotation mattresses is prohibited.
  - If refinishing, use a non-toxic finish specified for children's products.
- STRANGULATION HAZARD** - Never attach or hang items to any part of the bunk bed that are not designed for use with the bed; for example, but not limited to, hooks, belts and jump ropes
- This bunk bed meets the requirements of ASTM F1427-13
- KEEP THESE INSTRUCTIONS FOR FUTURE REFERENCE

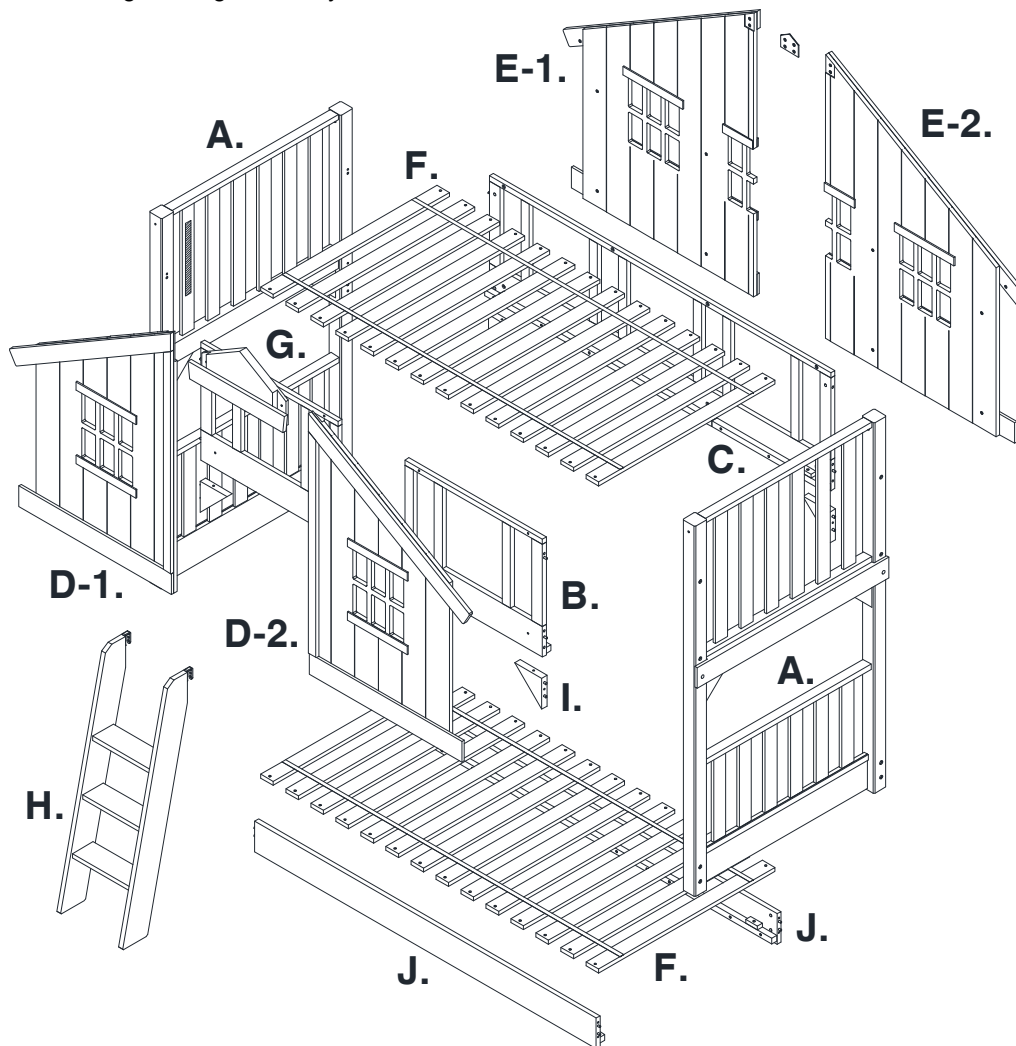
04-000044-7

**Important Safety Instructions:**

- Please read all instructions carefully before assembling.
- For your safety, assembly by two or more adults is strongly recommended.
- Keep instructions for future use.
- Use only vendor supplied hardware to assemble. Using unauthorized hardware could jeopardize the structural integrity of the item.

**Pre-assembly:**


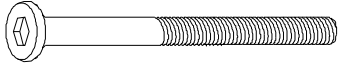
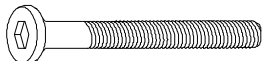
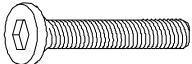
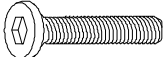
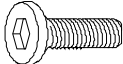
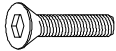

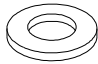
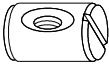
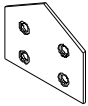


- Remove all parts and hardware from the box and lay out on a clear carpeted or scratch-free work surface, as this will avoid damaging parts during assembly. The shipping box provides an ideal work surface.
- Do not dispose of any packaging or contents of the shipping carton until assembly is completed to avoid accidentally discarding small parts or hardware.
- Use the parts and hardware lists below to identify and separate each of the pieces included.
- The illustrations provided allow for easier assembly when used in conjunction with the assembly instructions.
- The use of power tools to aid in assembly is not recommended. Power tools can damage hardware and split wood.
- Note: Do not fully tighten all the bolts until all parts are in place. Failure to follow these instructions may cause the bolts to misalign during assembly.



**PARTS INCLUDED:**

(A) End Board – 2x	(D2) Front Right Panel – 1x	(G) Front Mending Block – 1x
(B) Front Guardrail – 1x	(E1) Rear Left Panel – 1x	(H) Ladder – 1x
(C) Rear Guardrail – 1x	(E2) Rear Right Panel – 1x	(I) Triangle Block – 4x
(D1) Front Left Panel – 1x	(F) Slat Roll – 2x	(J) Side Rail – 2x

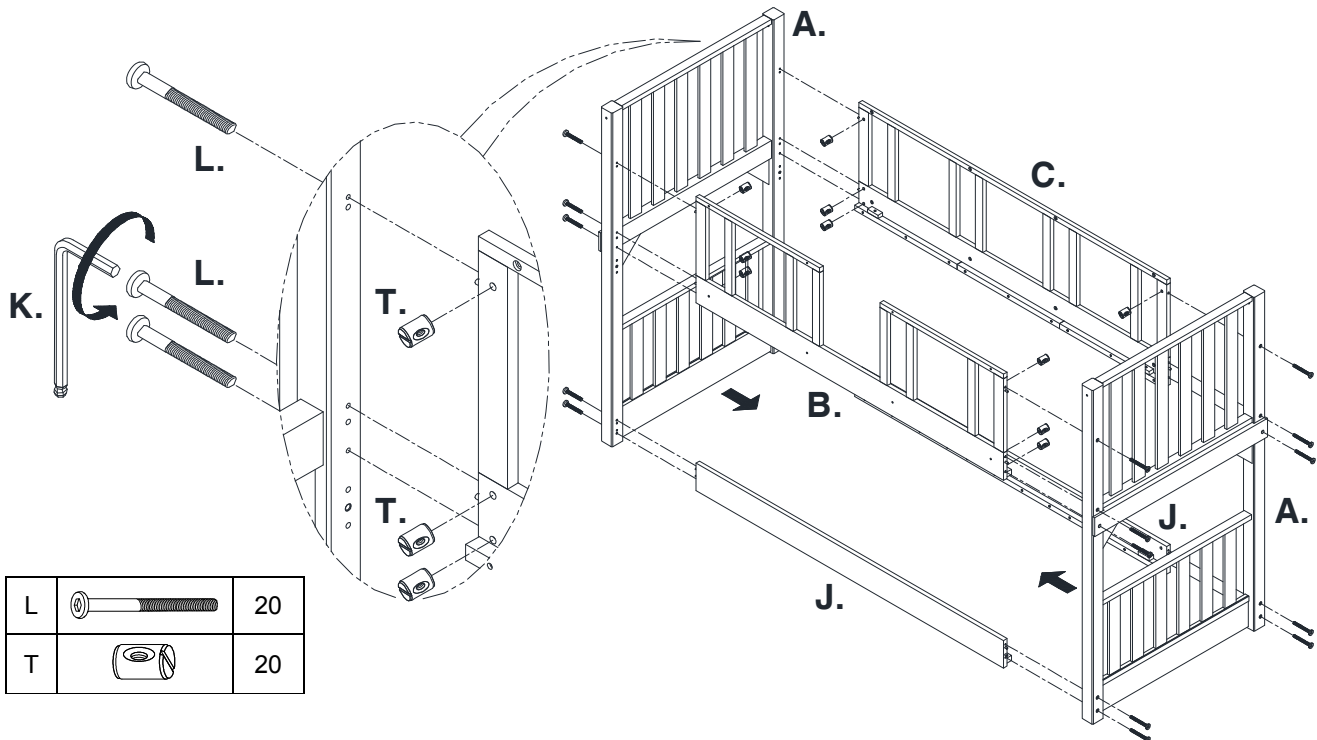
**HARDWARE INCLUDED:**



 (K) Allen Key – 1pc	 (L) Bolt 5/16"x110mm – 20x	 (M) Bolt 1/4"x78mm – 4x
 (N) Bolt 1/4"x54mm – 8x	 (O) Bolt 1/4"x30mm – 16x	 (P) Bolt 1/4"x22mm – 4x
 (Q) Bolt 1/4"x17mm – 4x	 (R) Spring Washer 1/4" – 32x	 (S) Flat Washer 1/4" – 32x
 (T) Barrel Nut 5/16" – 20x	 (U) Mending Plate – 1x	 (V) Long Screw 4x30mm – 56x
 (W) Short Screw 4x19mm – 2x		

**Tools Required:** Philips Head Screw Driver  (not included)

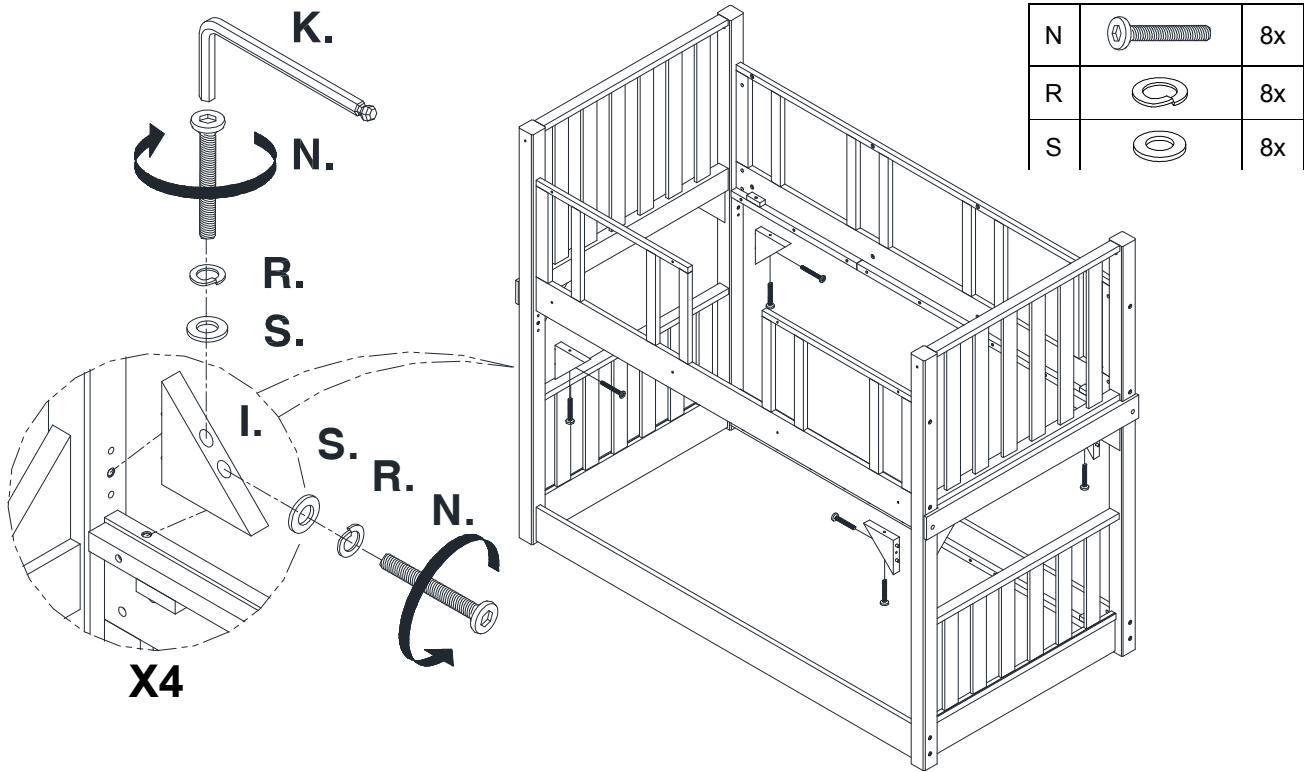
**Assembly Instruction Steps:**

- Place (6) Barrel Nut (T) onto corresponding openings on Front Guardrail (B). Insert Bolts (L) into pre-drilled holes on each End Board (A) from outside, as shown below. Connect each end of the Front Guardrail (B) to End Board (A) and secure Bolts (L) to Barrel Nuts (T) using Allen Key (K). Repeat with the Rear Guardrail (C). Loosely tighten with Allen Key.
- Attach (2) Side Rail (J) to End Boards with wooden dowels and pre-drilled holes aligned as shown below. Insert (8) sets of Bolt (L) and Barrel Nut (T) to secure.
- Check alignments before tightening connecting bolts. Do not over tighten.

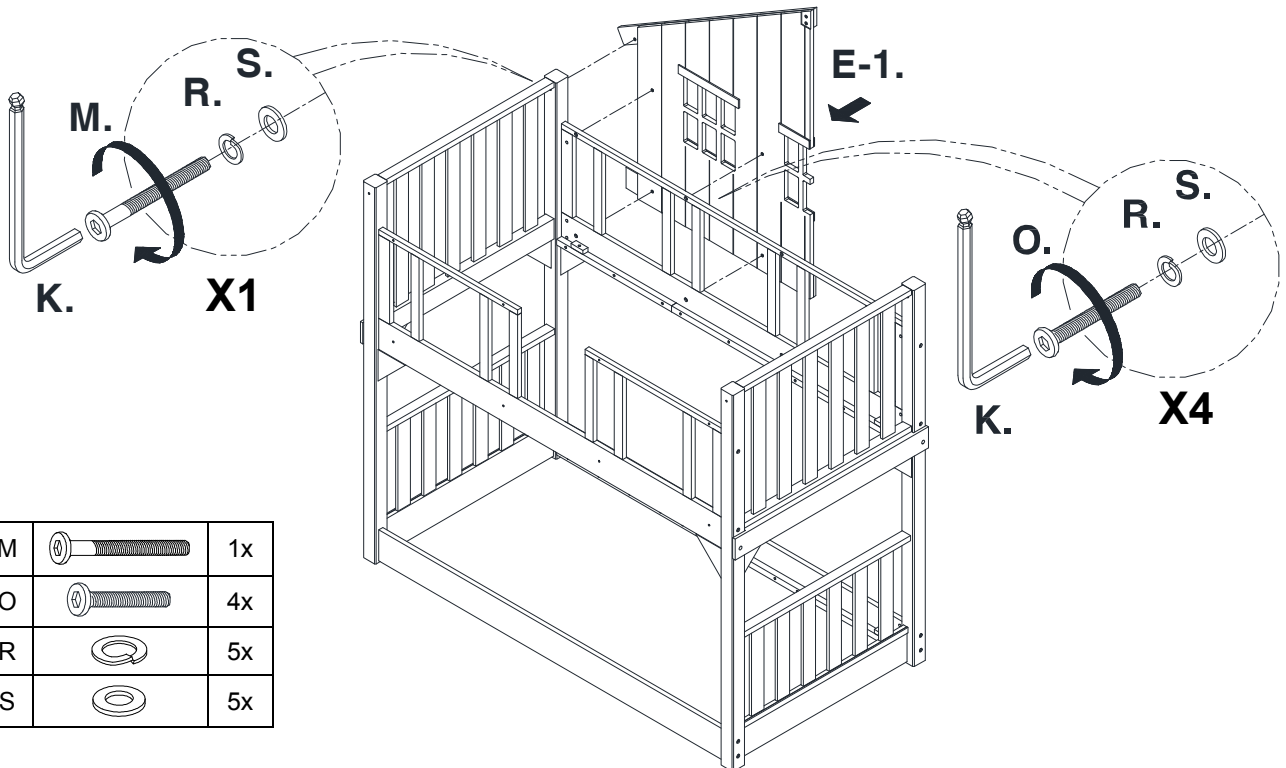


L		20
T		20

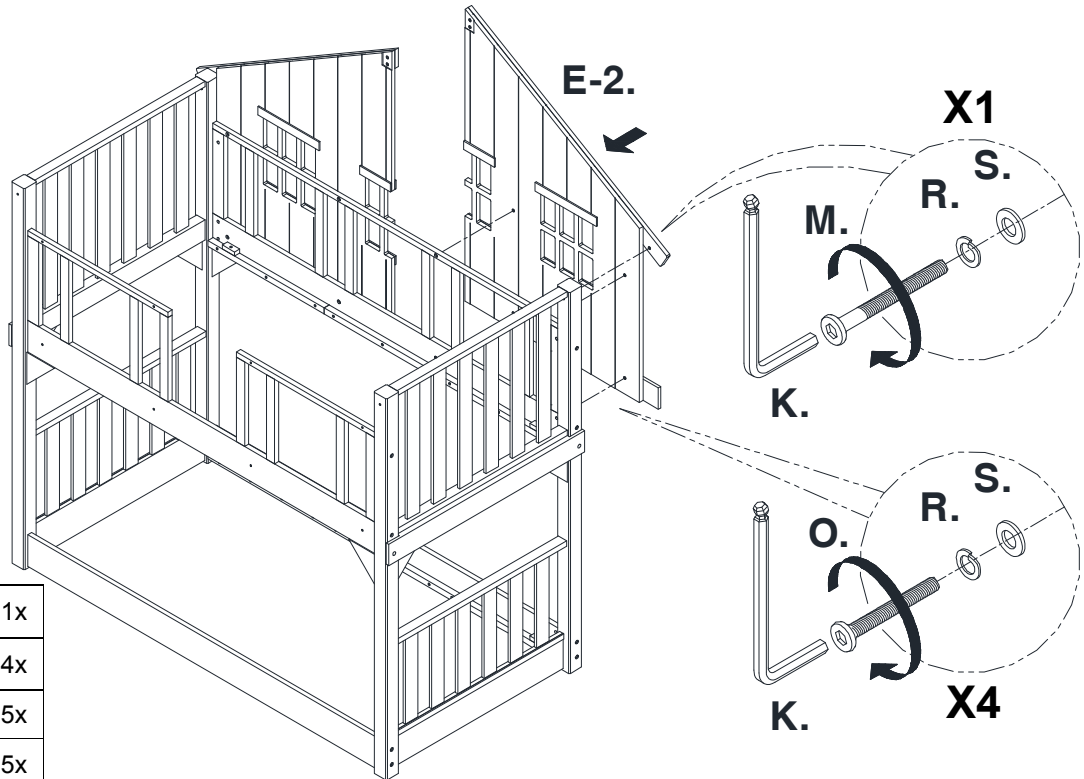
4. Slide a Spring Washer (R) and a Flat Washer (S) onto each Bolt (N). Attach (4) Triangle Block (I) and insert (8) Bolts (N) with washers to pre-drilled holes as shown below. Tighten all bolts with Allen Key (K) but do not over tighten.



5. Attach Rear Left Panel (E-1) to Rear Guardrail (C) by inserting (4) Bolts (O) with Spring Washer (R) and Flat Washer (S) using Allen Key (K) as shown in illustration below.
6. Insert (1) Bolt (M) with Spring Washer (R) and Flat Washer (S) to secure Rear Left Panel (E-1) to End Board post using Allen Key (K) as seen below. Do not over tighten.

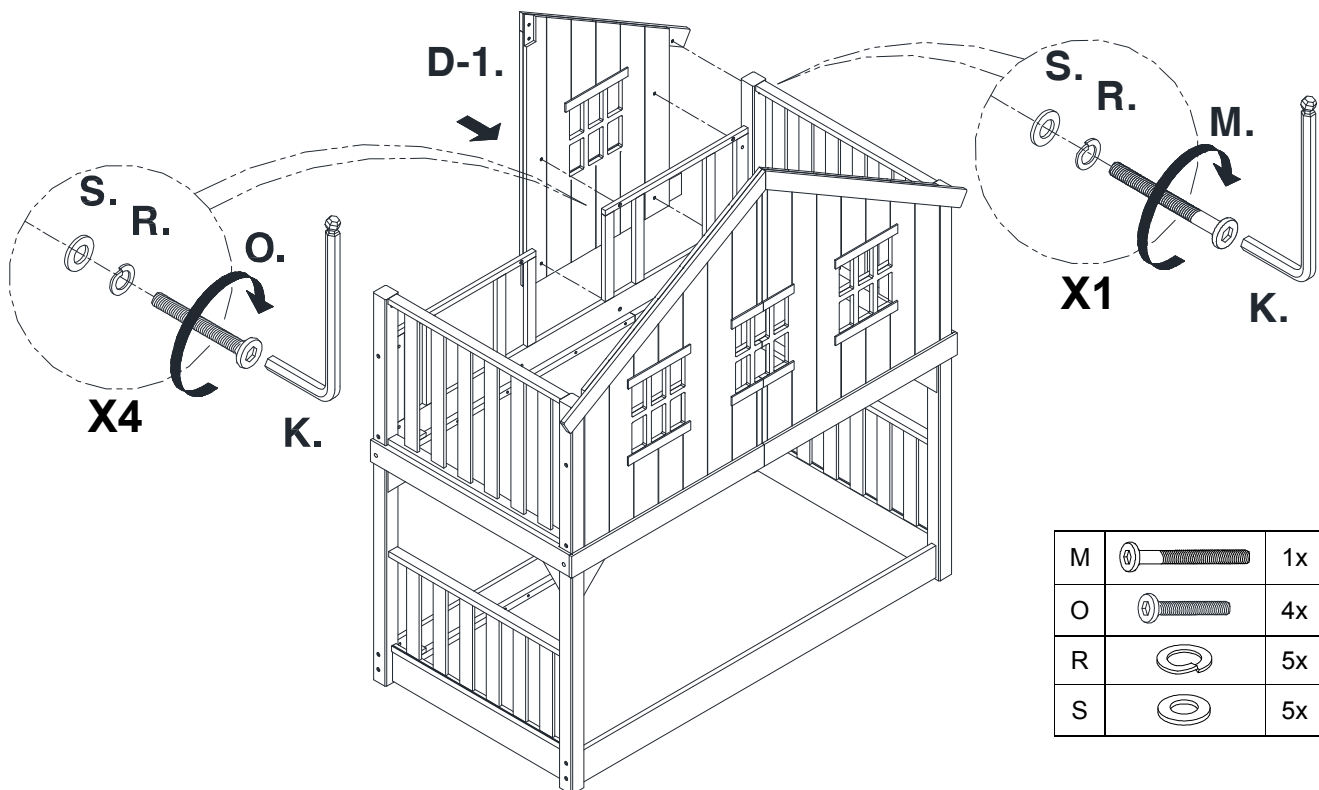


7. Attach Rear Right Panel (E-2) to Rear Guardrail (C) by inserting (4) Bolts (O) with Spring Washer (R) and Flat Washer (S) using Allen Key (K) as shown in illustration below.
8. Insert (1) Bolt (M) with Spring Washer (R) and Flat Washer (S) to secure the Rear Right Panel (E-2) to End Board post using Allen Key (K) as seen below. Do not over tighten.



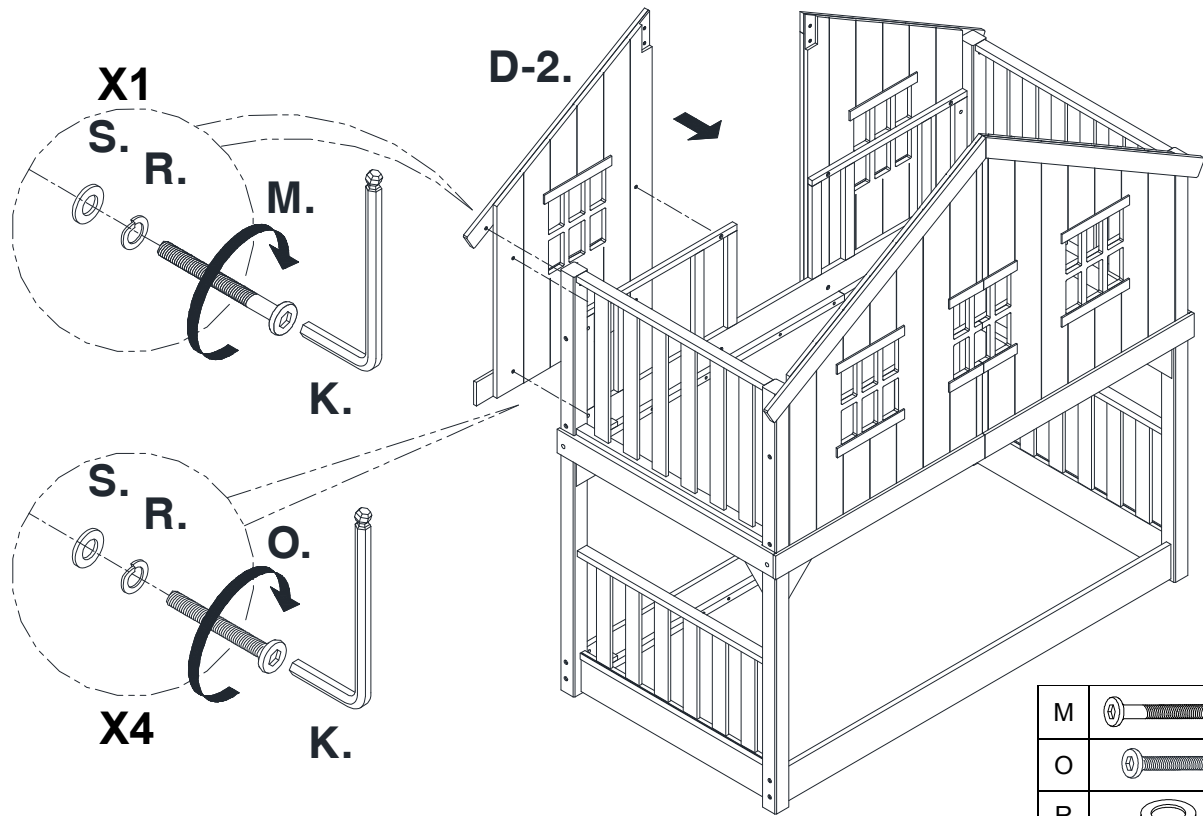
M		1x
O		4x
R		5x
S		5x

9. Attach Front Left Panel (D-1) to Front Guardrail (B) by inserting (4) Bolts (O) with Spring Washer (R) and Flat Washer (S) using Allen Key (K) as shown in illustration below.
10. Insert (1) Bolt (M) with Spring Washer (R) and Flat Washer (S) to secure the Front Left Panel (D-1) to End Board post using Allen Key (K) as seen below. Do not over tighten.



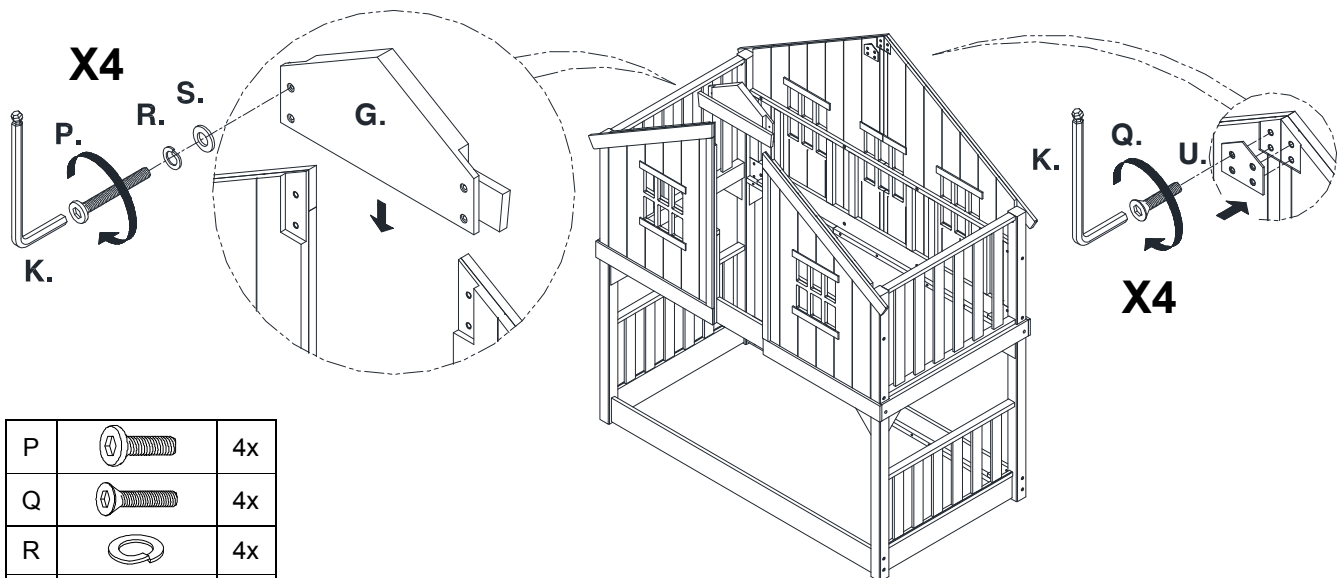
M		1x
O		4x
R		5x
S		5x

11. Attach Front Right Panel (D-2) to Front Guardrail (B) by inserting (4) Bolts (O) with Spring Washer (R) and Flat Washer (S) using Allen Key (K) as shown in illustration below.
12. Insert (1) Bolt (M) with Spring Washer (R) and Flat Washer (S) to secure the Front Right Panel (D-2) to End Board post using Allen Key (K) as seen below. Do not over tighten.



M		1x
O		4x
R		5x
S		5x

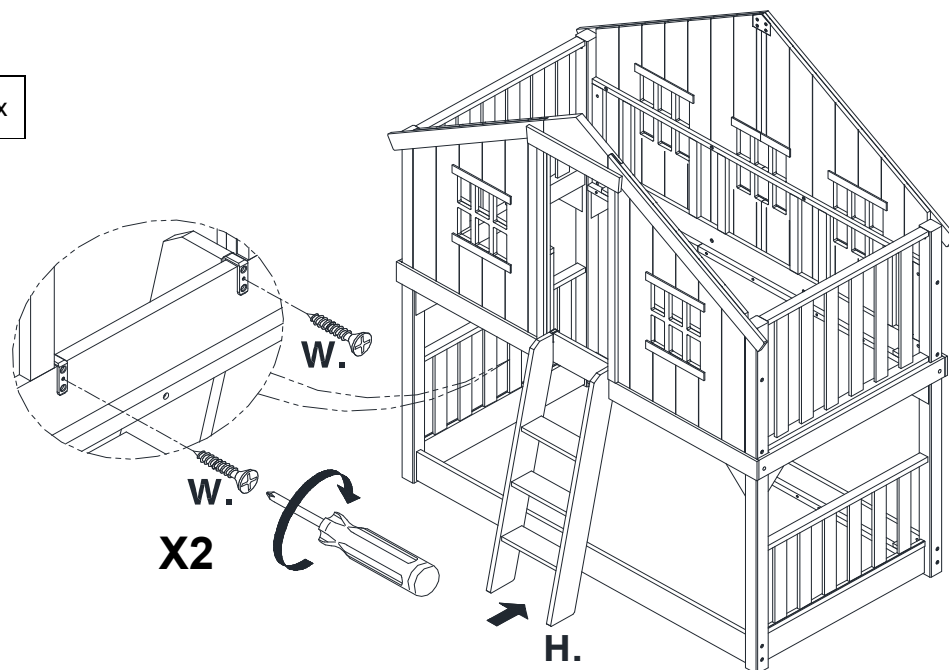
13. Connect Rear Left/Right Panels with Mending Plate (U) by inserting (4) Bolts (Q) into pre-drilled holes on the panels as shown in illustration below.
14. Attach Front Mending Block (G) to the Front Left/Right Panels by inserting (4) Bolt (P) with Spring Washer (R) and Flat Washer (S) as shown below. Tighten all bolts with Allen Key (K) but do not over tighten.



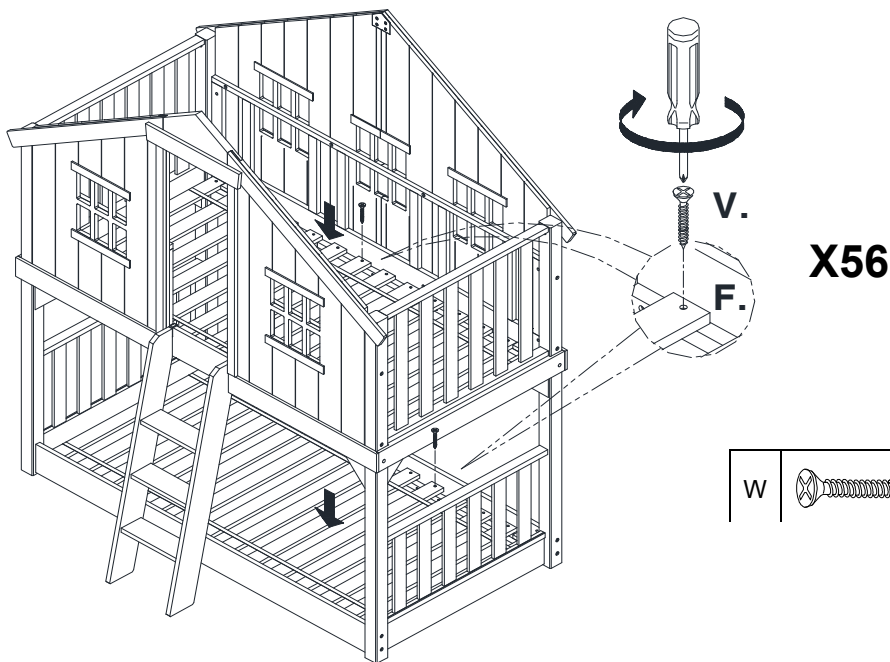
P		4x
Q		4x
R		4x
S		4x

15. Attach Ladder (H) to the front opening and insert (2) Short Screw (W) using a Phillips Head Screw Driver as shown below. Do not over tighten.

W		2x
---	--	----



16. Place (2) Slat Roll (F) on the upper/lower bed platforms and insert (28) Long Screw (V) to secure each Slat Roll using Phillips Head Screwdriver as shown below.



W		56 x
---	--	---------

**Care Instructions:**

- Dust often using a clean, soft, dry and lint-free cloth.
- Blot spills immediately and wipe with a clean, damp, cloth.
- We do not recommend the use of chemical cleansers, abrasives or furniture polish on our lacquered finish.
- Hardware may loosen over time. Periodically check to make sure all connections are tight. Re-tighten if necessary.

Thank you for your purchase  
 Stores | catalog | [www.potterybarnkids.com](http://www.potterybarnkids.com)  
 USA 1.800.290.8181