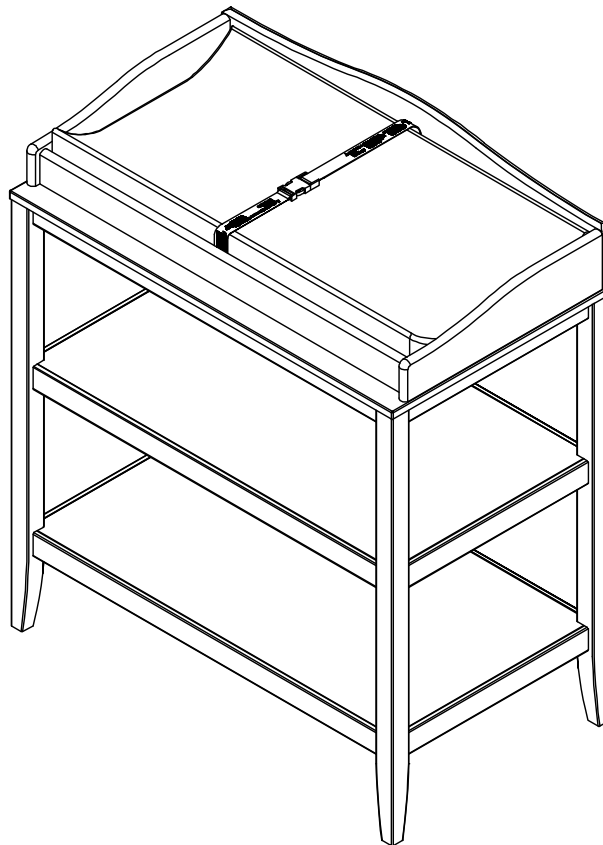


pottery barn kids

EMERSON CHANGING TABLE





WARNING: FALL HAZARD - To prevent death or serious injury

from falls, always keep the child within arms' reach.

- Read all instructions before using the changing table. **KEEP INSTRUCTIONS FOR FUTURE USE.**
- Before each use check the changing table for damage, loose parts, or sharp edges. **DO NOT** use the changing table if it is damaged or broken.
- Set up this table to be level, stable, and structurally sound with the minimum surface dimensions of 860mm x 491mm.
- This changing table may be used with or without a pad. The only pad approved for use with it is the Contour Changing Pad available for purchase from pottery barn kids. This pad is designed to be used in a space of at least 810 mm x 400 mm (31-7/8 inches x 15-3/4 inches). If used, place it within the rail-bounded changing area of the changing table.
- The maximum thickness of the Contoured Changing Pad to be used with this changing table topper is 127mm (5 inches).
- **NEVER LEAVE THE CHILD UNATTENDED**, and always use the restraining system.
- This changing table is intended for use with children weighing up to 30 pounds.

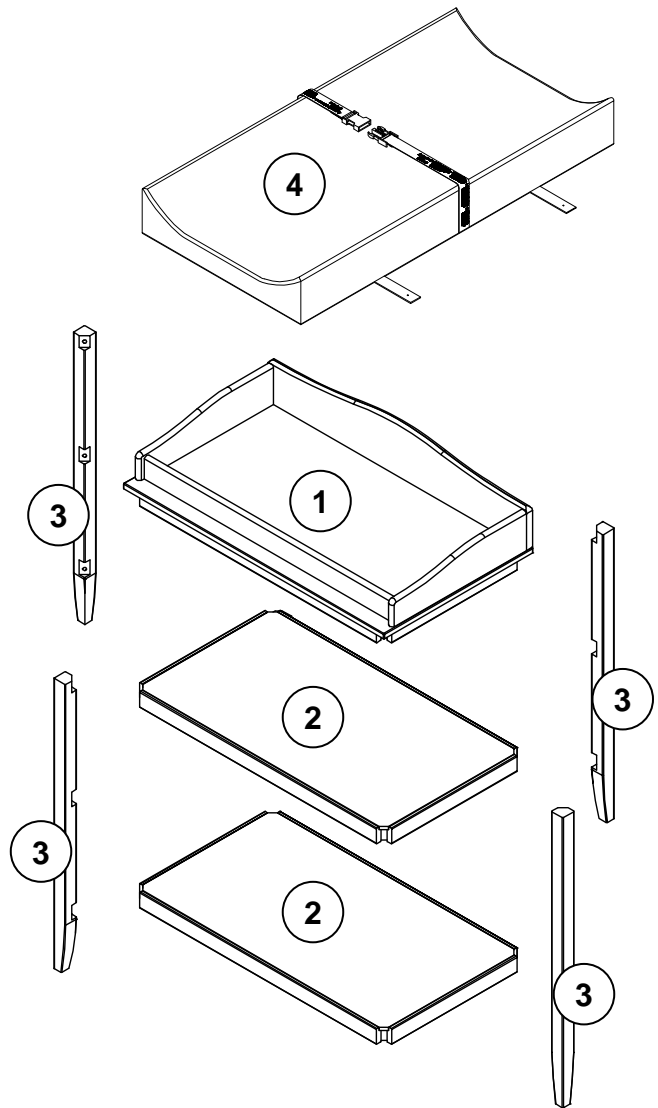
04-000062-4

PRE-ASSEMBLY:

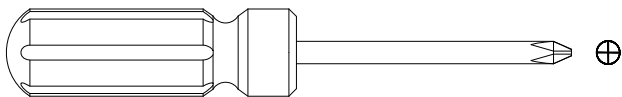
- Please read all instructions before beginning assembly. Please follow all the instructions enclosed, making sure to secure the Changing table to the wall using the tipping-restraint kit included.
- For your safety and ease, assembly by two adults is recommended.
- Remove all parts and hardware from the box, and lay them out on a carpeted or scratch-free work surface, as this will avoid damaging any parts during assembly. The shipping box provides an ideal work surface.
- To avoid accidentally discarding small parts or hardware, do not dispose of any contents until assembly is complete.
- Use the parts and hardware lists to identify and separate each of the pieces included.
- Note: Do not fully tighten all bolts until all parts are in place. Failure to follow these instructions may cause the bolts to misalign during assembly.
- The use of power tools for assembly is not recommended. Power tools can damage hardware or split wood.
- If you purchase the Pottery Barn Kids Contoured Changing Pad, place it in the large bounded area of the Changing Table for use.

PARTS INCLUDED:

- 1- TABLE TOP (1x)
- 2- TABLE SHELF (2x)
- 3- TABLE LEG (4x)
- 4- CHANGING PAD (1x)



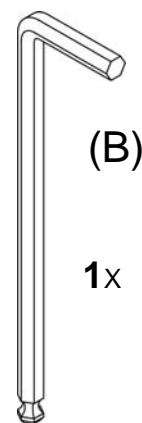
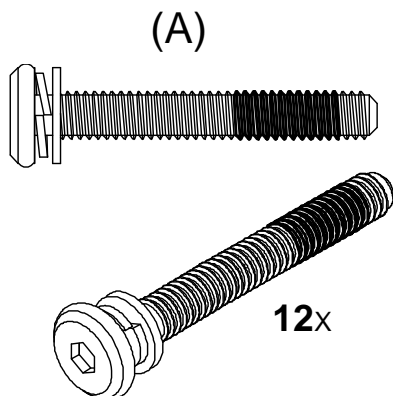
TOOLS REQUIRED:



Phillips head screwdriver (not included)

HARDWARE INCLUDED:

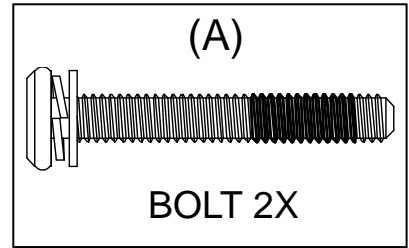
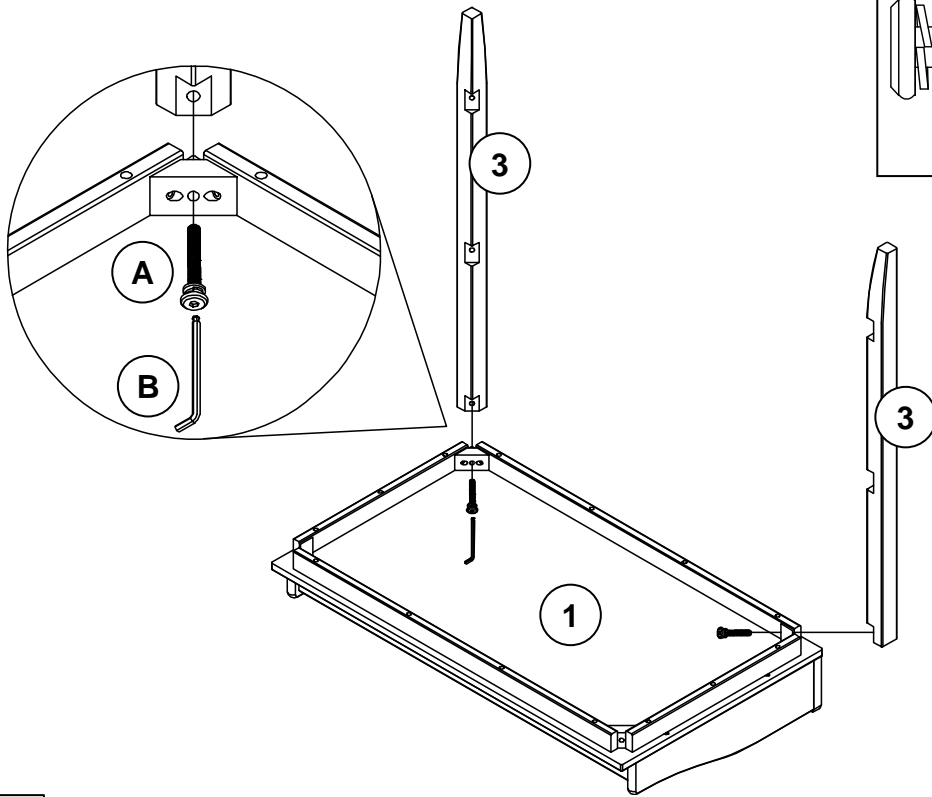
- A- BOLT- M6 x 45MM (12X)
- B- 4MM BALL TIP ALLEN KEY (1x)



ASSEMBLY INSTRUCTION STEPS:

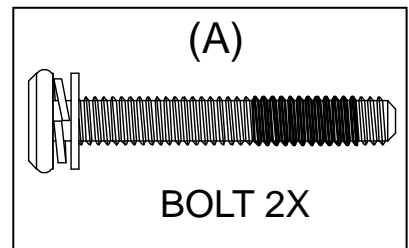
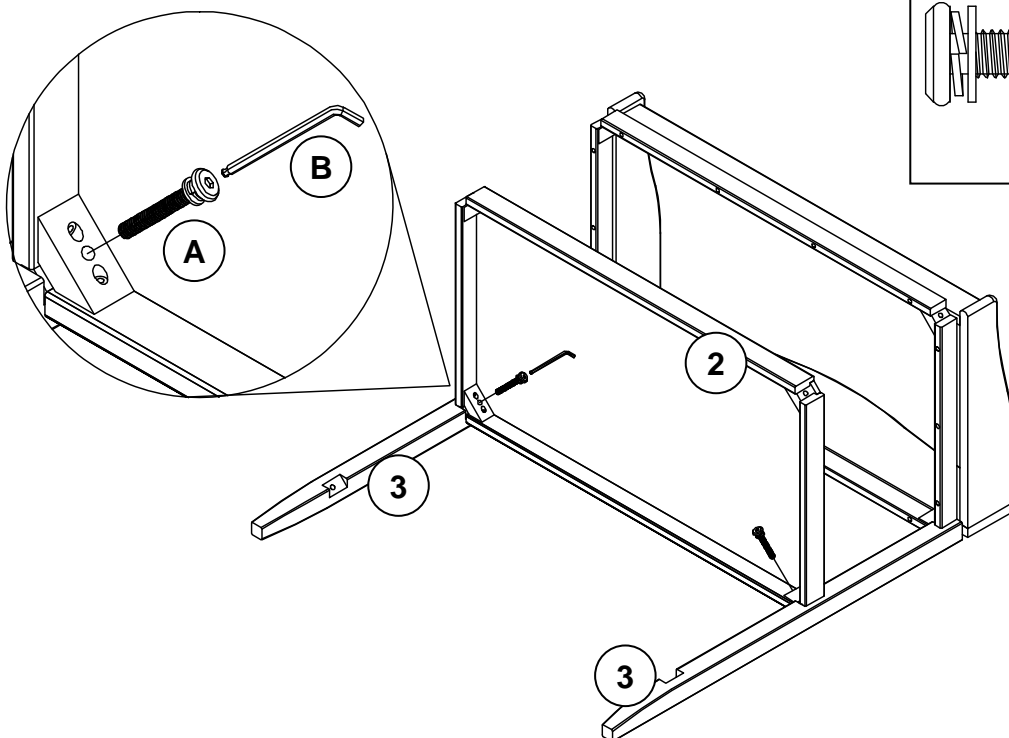
1

Attach the Table Leg (3) to bottom of Table Top (1) using Bolt (A), and tighten with Allen Key (B).



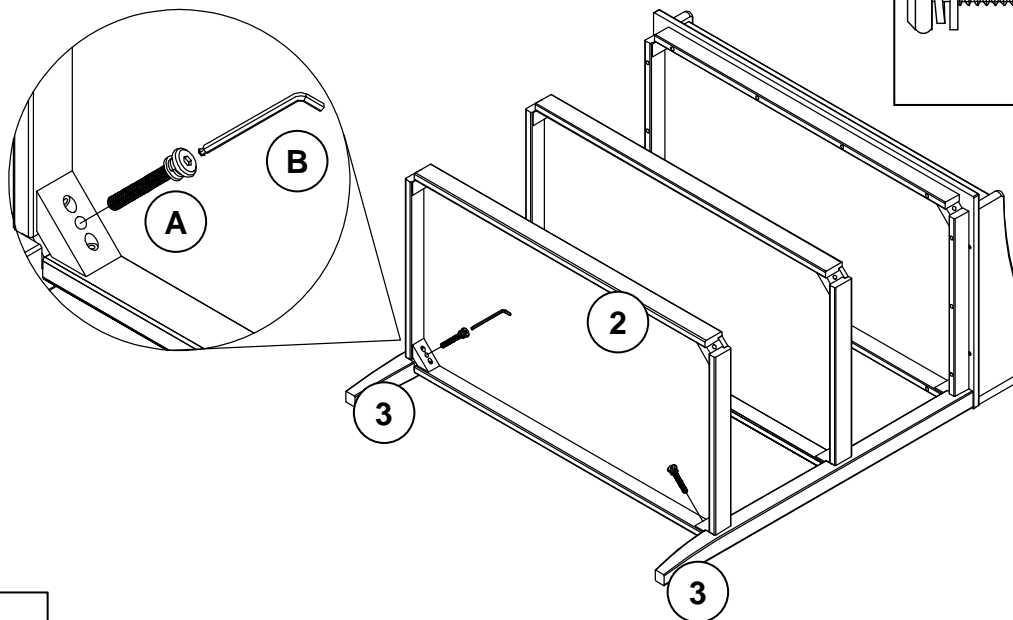
2

Attach Table Shelf (2) to the middle of Table Leg (3) as show below. Insert Bolt (A) and tighten with Allen Key (B).



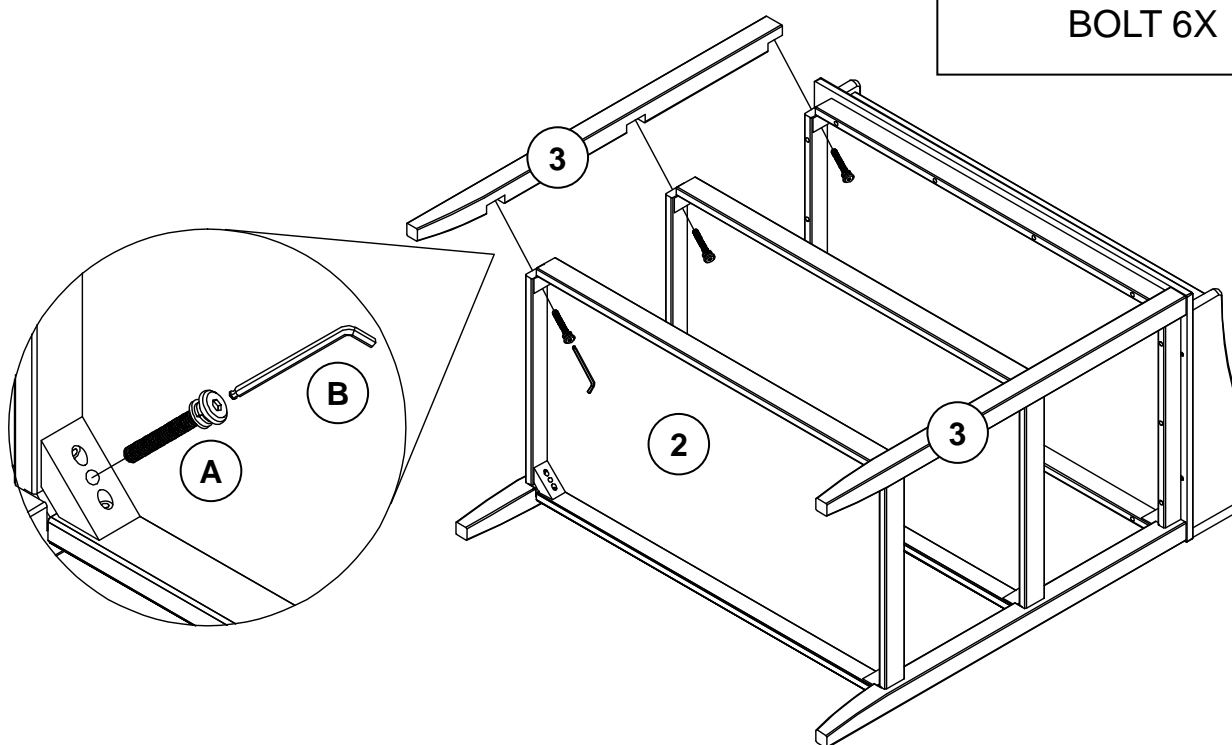
3

Attach Table Shelf (2) to the lower of Table Leg (3) as show below. Insert Bolt (A) and tighten with Allen Key (B).



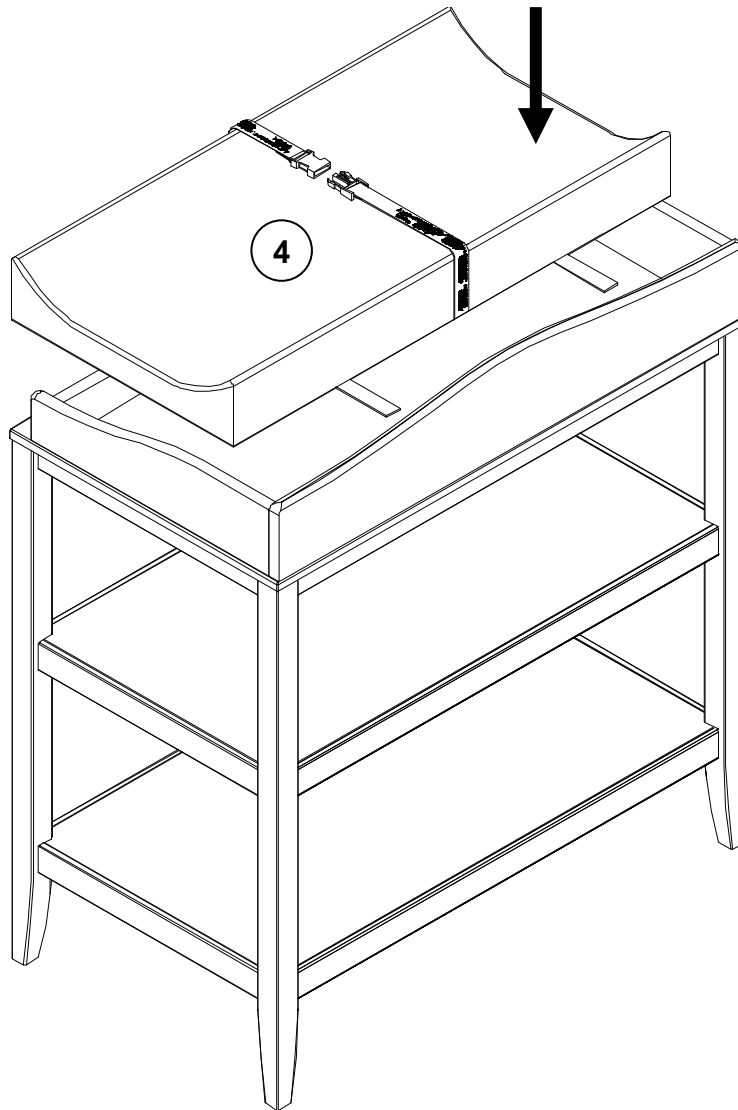
4

Attach Table Leg (3) to the assembly as show below. Insert Bolt (A) and tighten with Allen Key (B).



5

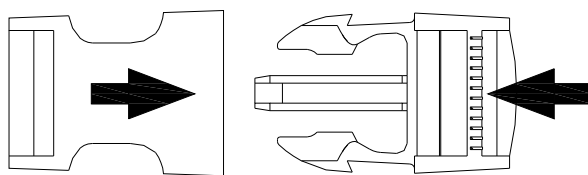
Place Changing Pad (4) onto Table Top as show below.



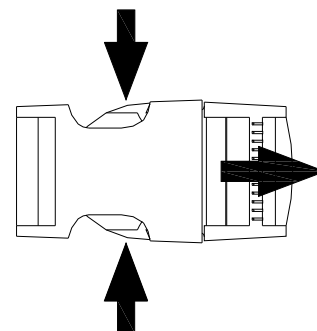
6

Adjust the restraint strap to fit the baby's body. To fasten the restraint strap, insert the buckle as shown in below. To release, press inward on the tabs.

To Fasten



To Release



CARE AND USE INSTRUCTIONS

- Dust often using a clean, soft, dry, lint-free cloth.
- Blot spills immediately, and wipe with a clean, damp cloth.
- We do not recommend the use of chemical cleansers, abrasives, or furniture polish on the lacquered finish.
- Check fasteners periodically for tightness. **DO NOT over tighten.** This may cause distortion or breakage.
- Parents should ensure a safe environment for the child by checking regularly that every component is properly and securely in place before placing the child in the product.

Thank you for your purchase
stores | catalog | www.potterybarnkids.com
U.S.A 1.800.290.8181