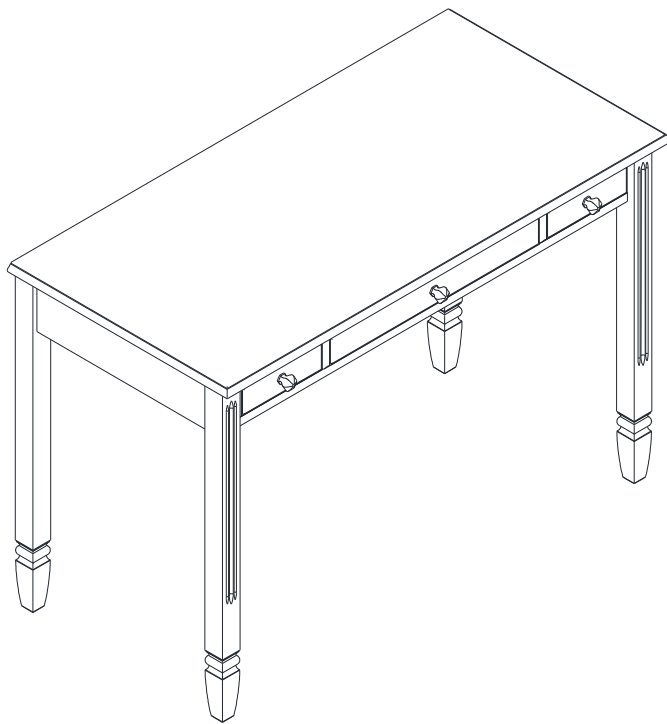


pottery barn kids

MADELINE WRITING DESK

ASSEMBLY INSTRUCTIONS



Date: 2013-May-20

Rev:

www.potterybarnkids.com

Important Safety Instructions:

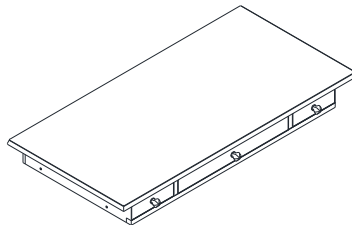
- Please read all instructions carefully before assembling.
- For your safety, assembly by two or more adults is strongly recommended.
- Keep instructions for future use.
- Use only vendor supplied hardware to assemble. Using unauthorized hardware could jeopardize the structural integrity of the item.

Pre-assembly:

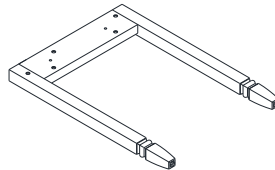
- Remove all parts and hardware from the box and lay out on a clear carpeted or scratch-free work surface, as this will avoid damaging parts during assembly. The shipping box provides an ideal work surface.
- Do not dispose of any packaging or contents of the shipping carton until assembly is completed to avoid accidentally discarding small parts or hardware.
- Use the parts and hardware lists below to identify and separate each of the pieces included.
- The illustrations provided allow for easier assembly when used in conjunction with the assembly instructions.
- The use of power tools to aid in assembly is not recommended. Power tools can damage hardware and split wood.

Parts Included:

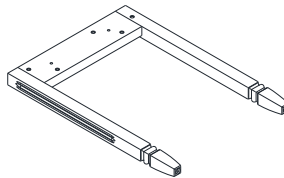
(A) Table top with drawers – 1x





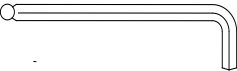

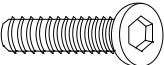



(B) Right end panel – 1x



(C) Left end panel – 1x



Hardware Included:

| | | | |
|--|---|---|---|
| <p>(D) Cam screw – 2x</p>  | <p>(E) Cam - 2x</p>  | <p>(F) Allen key (6mm)- 1x</p>  | <p>(G) Wooden dowel – 4x</p>  |
| <p>(H) Allen bolt - 8x (M6x30mm)</p>  | <p>(I) Lock washer – 8x</p>  | <p>(J) flat washer – 8x</p>  | <p>(K) Allen ket (4mm) - 1x</p>  |

Hardware Enclosed:

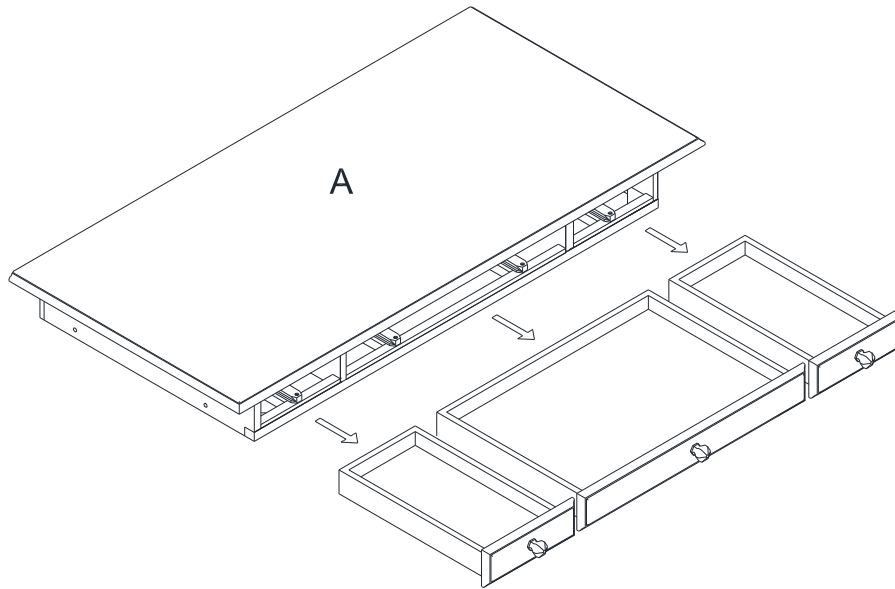
Tools Required (not included):



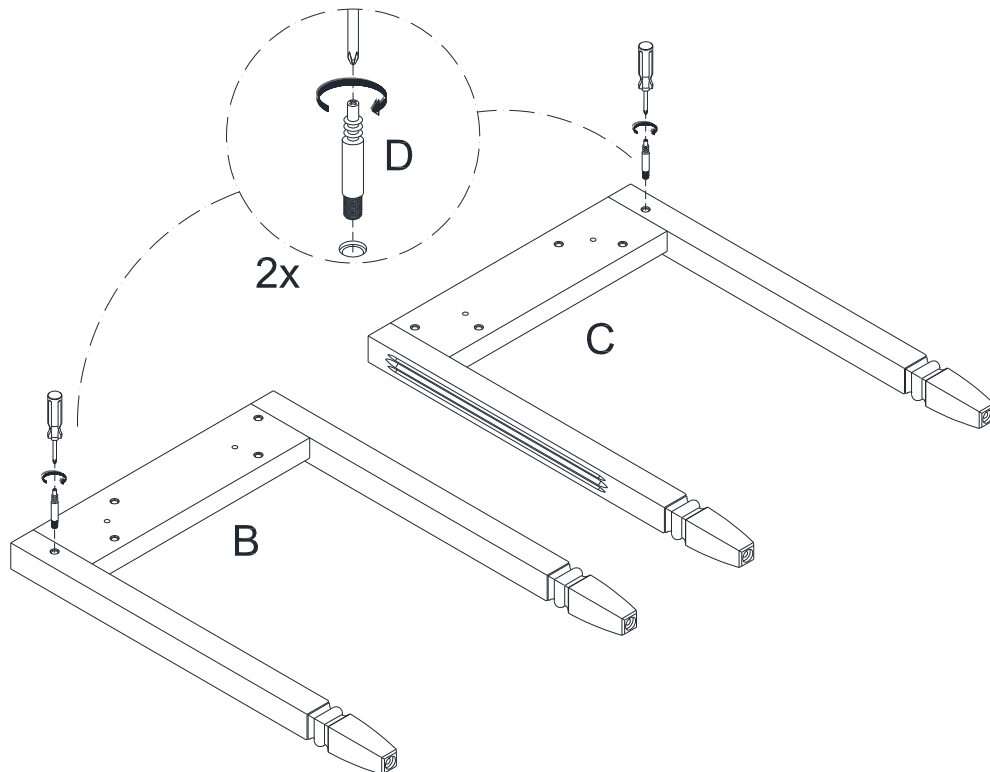
Philips Head Screwdriver

Assembly Instruction Steps:

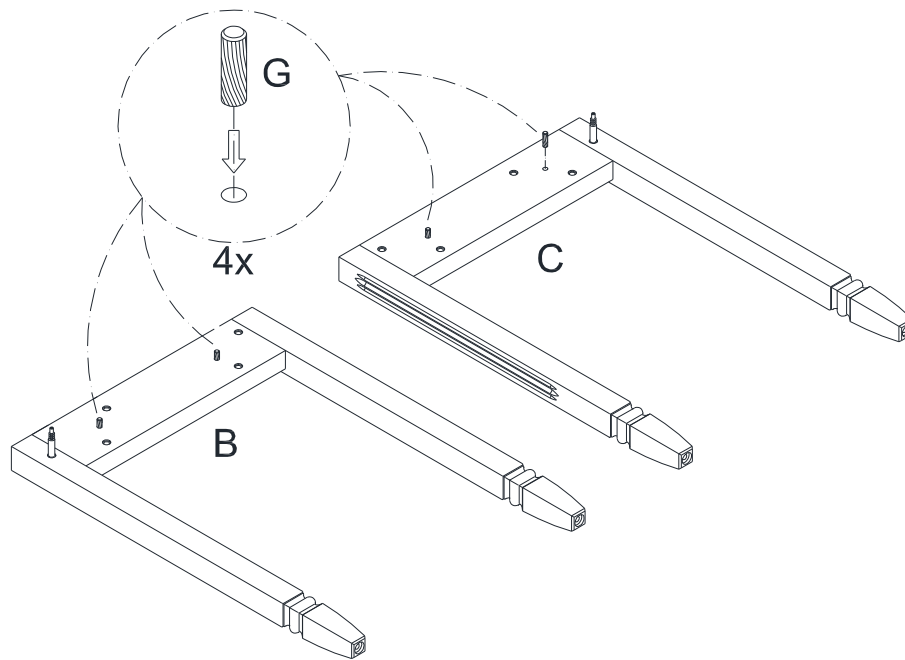
1. Lay the table top with drawers (A) on the carpet or the foam in shipping box as shown. Put all desk parts on a soft, carpeted scratch free surface. Then pull out all drawers from table top with drawers as shown below.



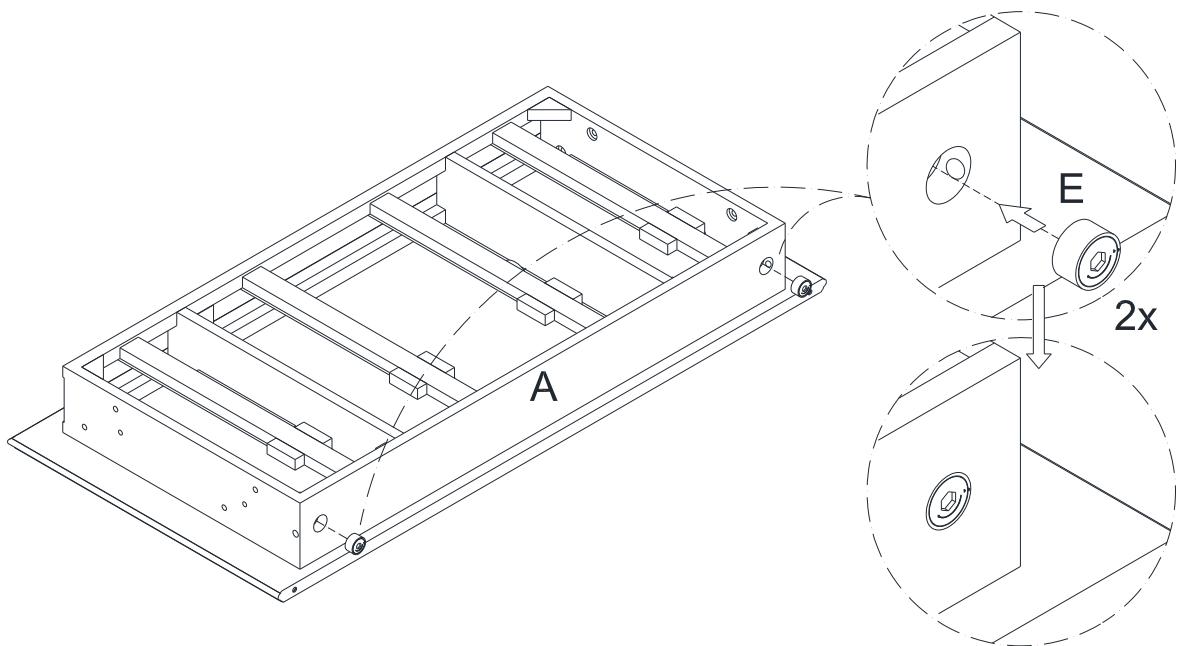
2. Screw the Cam screws (D) threaded end into insert nuts at back of Left/Right end panels (B&C) then tighten securely as shown below.



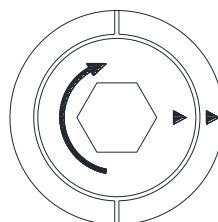
3. Insert Wooden dowel (G) into pre-drilled holes at the Left/Right end panels (B&C).



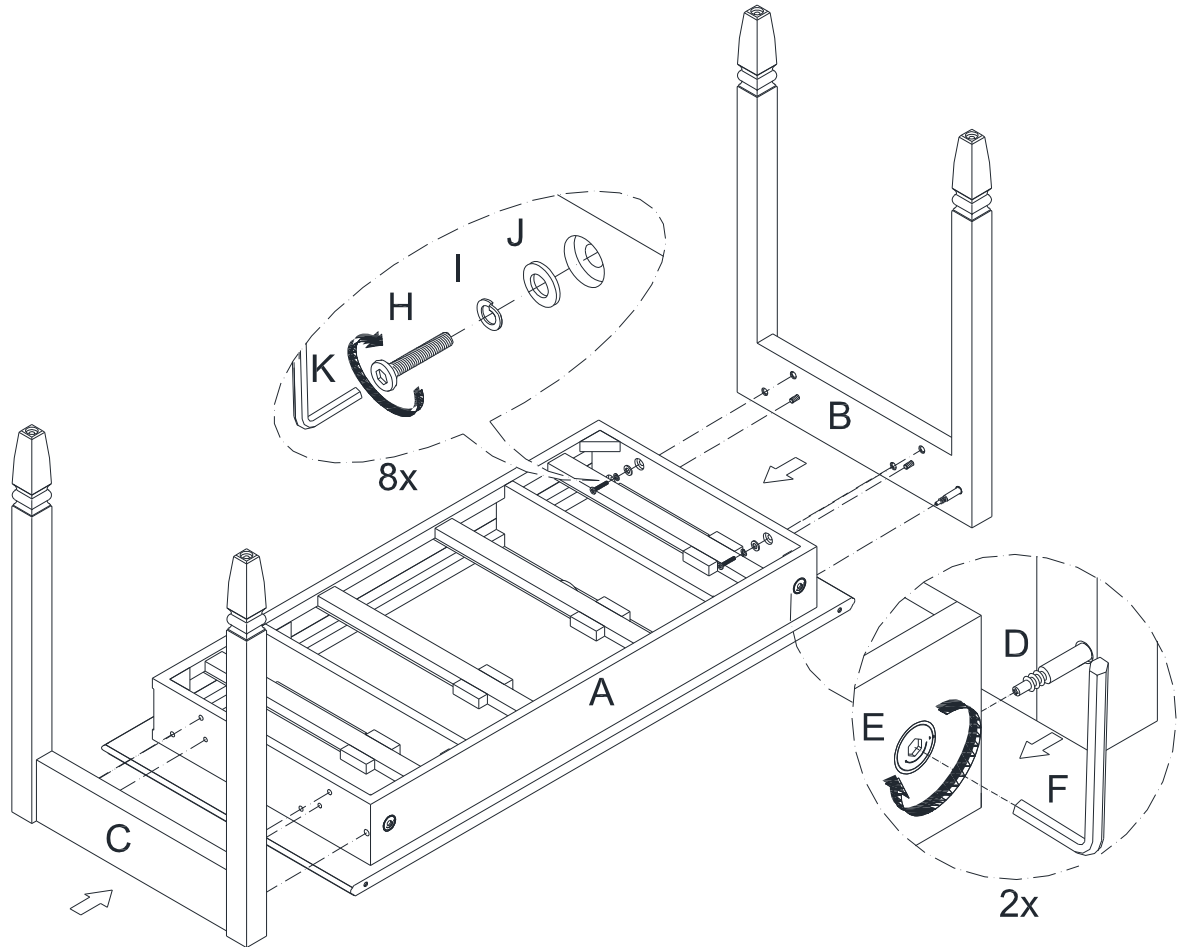
4. Turn the table top (A) upside down on the carpet or the foam in shipping box as shown. Insert Cam (E) into pre-drilled holes at two ends of back rail of the table top with arrow mark on the Cam toward to two sides of the back rail.



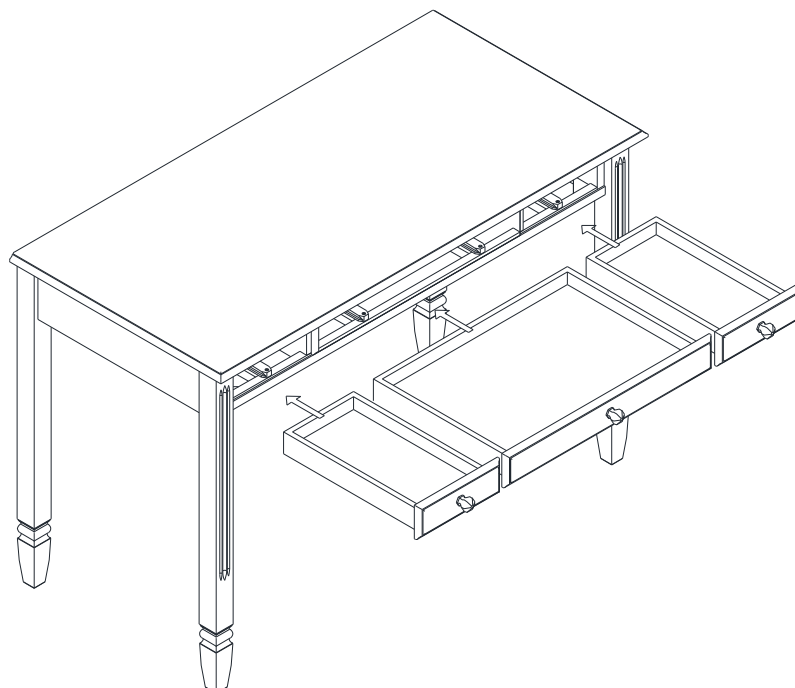
Note: align outer arrow on cam with inner arrow at center of cam prior to insertion into the countersunk.



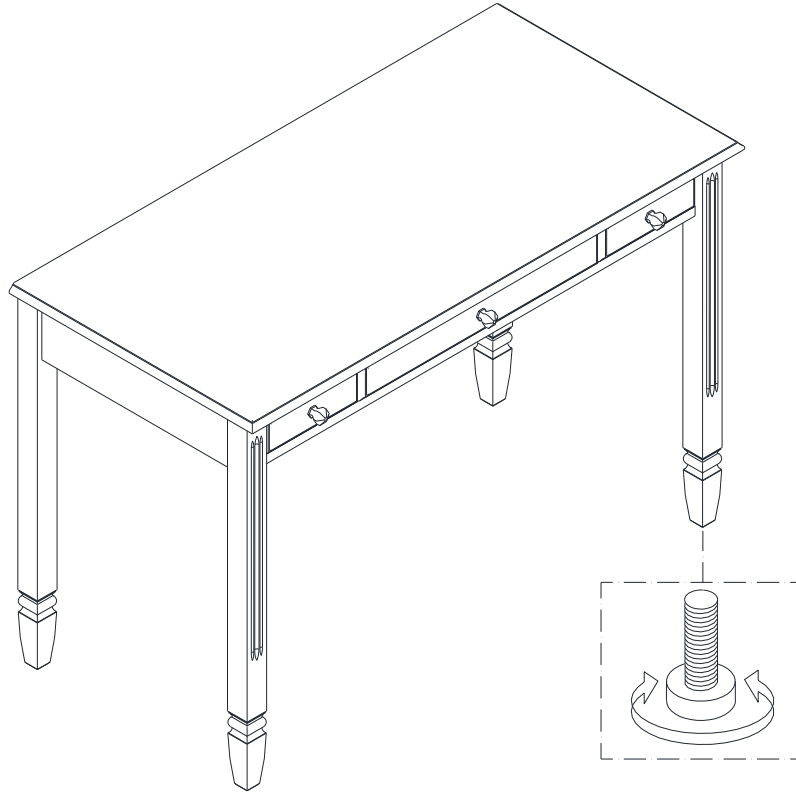
5. Attach the Left end panel (B) and Right end panel (C) to the Table top (A) by aligning the exposed wood dowels on the side left/right end panel (B&C) and Cam screw (D) with pre-drilled holes on the side of table top.
6. Insert Allen bolts (H) through lock washer (I), flat washer (J) and pre-drilled holes from inside of the side of table top with drawers (A) into nut inserts in left/right end panel (B&C) as shown above. Tighten all Allen Bolts (H) with 4mm Allen Key (K), tighten Cams (D) with 6mm Allen Key (F).



7. Turn the desk into upright position. Insert drawers back into Table top with drawers (A) as shown below.



8. Adjust levelers at the bottom of legs to balance the desk if necessary.



9. Assembly is complete.

Care Instructions:

- Dust often using a clean, soft, dry and lint-free cloth.
- Blot spills immediately and wipe with a clean, damp, cloth.
- We do not recommend the use of chemical cleansers, abrasives or furniture polish on our lacquered finish.
- Hardware may loosen over time. Periodically check to make sure all connections are tight. Re-tighten if necessary.

Thank you for your purchase
Stores | catalog | www.potterybarnkids.com