

# pottery barn kids

## ARMOIRE CHANGING TABLE



### **WARNING:** FALL HAZARD - To prevent death or serious injury from

falls, always keep child within arm's reach.

- Read all instructions before use of the changing table. **KEEP INSTRUCTIONS FOR FUTURE USE.**
- Before each use check the changing table for damage, loose parts, or sharp edges. **DO NOT** use the changing table if it is damaged or broken.
- Set up this table to be level, stable, and structurally sound.
- This changing table may be used with or without a pad. The only pad approved for use with it is the Contour Changing Pad available for purchase from pottery barn kids. This pad is designed to be used in a space of at least 810 mm x 400 mm (32 inches x 16 inches). If used, place it within the rail-bounded changing area of the changing table.
- **NEVER LEAVE THE CHILD UNATTENDED** and always use the restraining system.

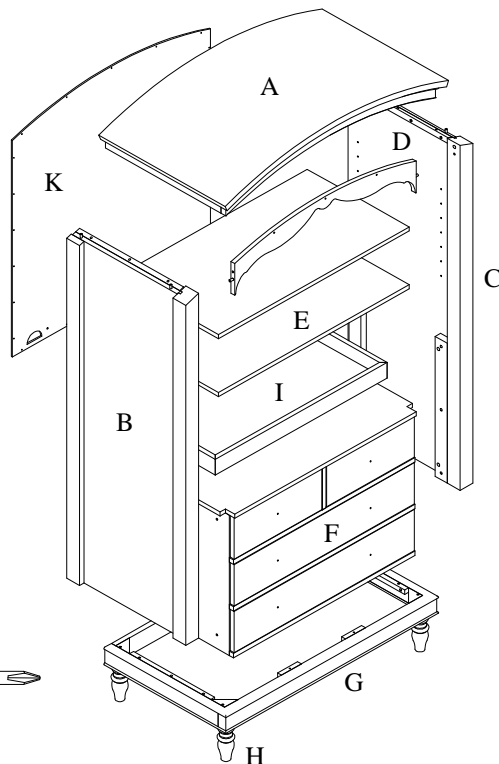
This changing table is intended for use with children weighing up to 30 pounds.

#### PRE-ASSEMBLY:

- Please read all instruction before beginning assembly. The illustrations provided allow for easier assembly when used in conjunction with the assembly instructions.
- Remove all parts and hardware from box and lay out on a carpeted or scratch-free work surface, as this will avoid damaging any parts during assembly. The shipping box provides an ideal work surface. Do not dispose of any contents until assembly is completed to avoid accidentally discarding small parts or hardware.
- For your safety and ease, adult assembly by two people is recommended.
- Save all packing materials until assembly is complete to avoid accidentally discarding smaller parts or hardware.
- Use the parts and hardware lists to identify and separate each of the pieces included prior to starting assembly.
- Note: Do not fully tighten all bolts until all parts are in place. Failure to follow these instructions may cause the bolts to misalign during assembly.
- If using power tools to aid in assembly please use caution. Power tools can damage hardware or split wood.

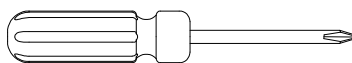
**PARTS INCLUDED:**

- (A) Top - 1pc
- (B) Left panel - 1pc
- (C) Right panel - 1pc
- (D) Front rail - 1pc
- (E) Adjustable shelves - 2pcs
- (F) Drawer Box - 1pc
- (G) Base - 1pc
- (H) Legs - 4pcs
- (I) Topper - 1pc
- (K) Back panel-upper - 1pc



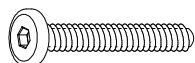
**TOOLS REQUIRED:**

Phillips head screwdriver (not included)

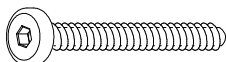


**HARDWARE ENCLOSED:**

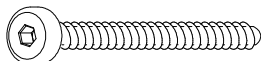
(L) 1/4x32mm Bolts - 8pcs



(M) 1/4x38mm Bolts - 8pcs



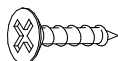
(N) 1/4x64mm Bolts - 6pcs



(O) Nuts - 6pcs



(P) #3x20mm Screws - 30pcs



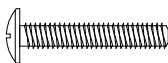
(Q) Shelf supports - 8pcs



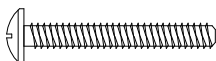
(R) Curve washers - 2pcs



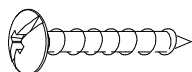
(S) #5x20mm Screws - 2pcs



(T) #5x32mm Screws - 6pcs



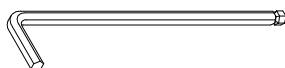
(X) #8x30mm Screws - 7pcs



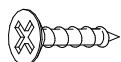
(Y) Knobs - 6pcs



(Z) 4mm Allen Key - 1pc



(W) #3x15mm Screws - 8pcs



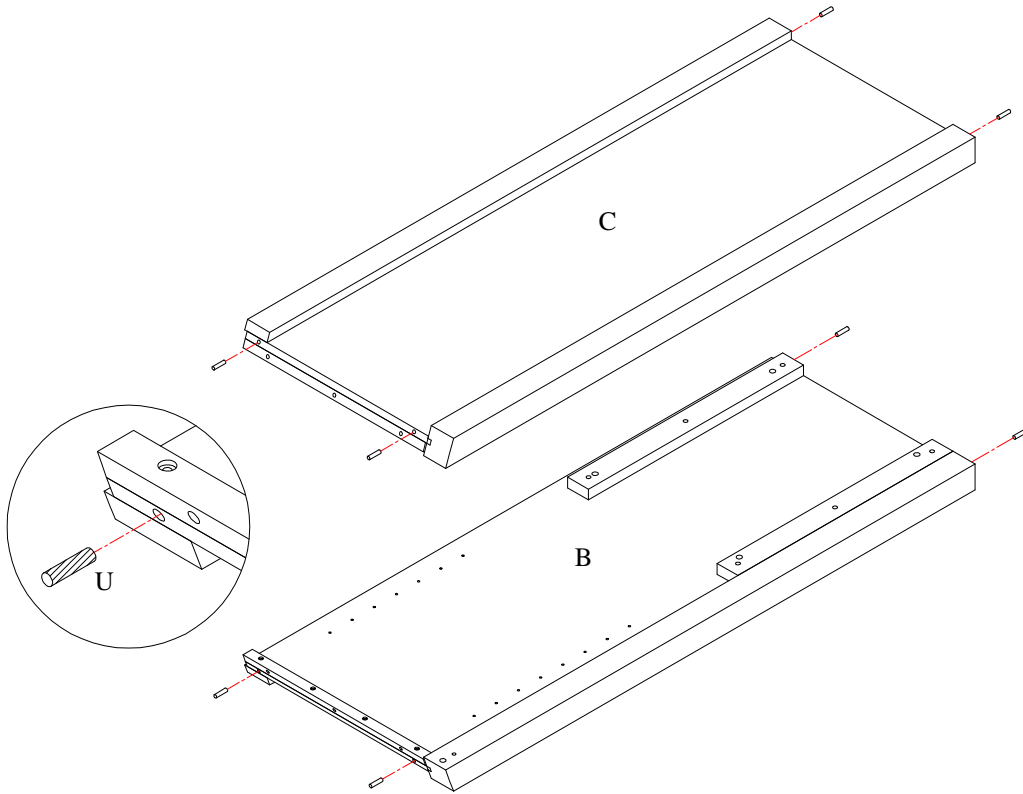
(U) Ø8x30mm Dowels – 8pcs



ASSEMBLY INSTRUCTIONS:

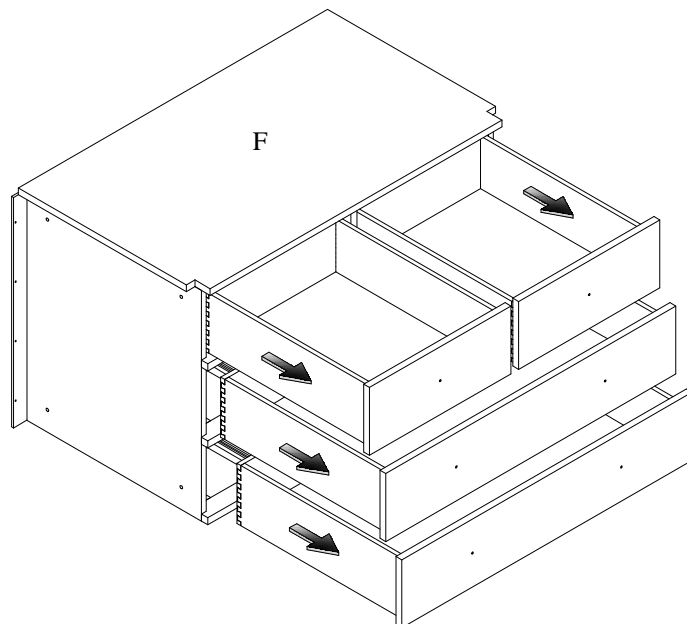
1. Insert dowels (U) into left panel (B) and right panel (C) . (See Fig.1)

(Fig. 1)



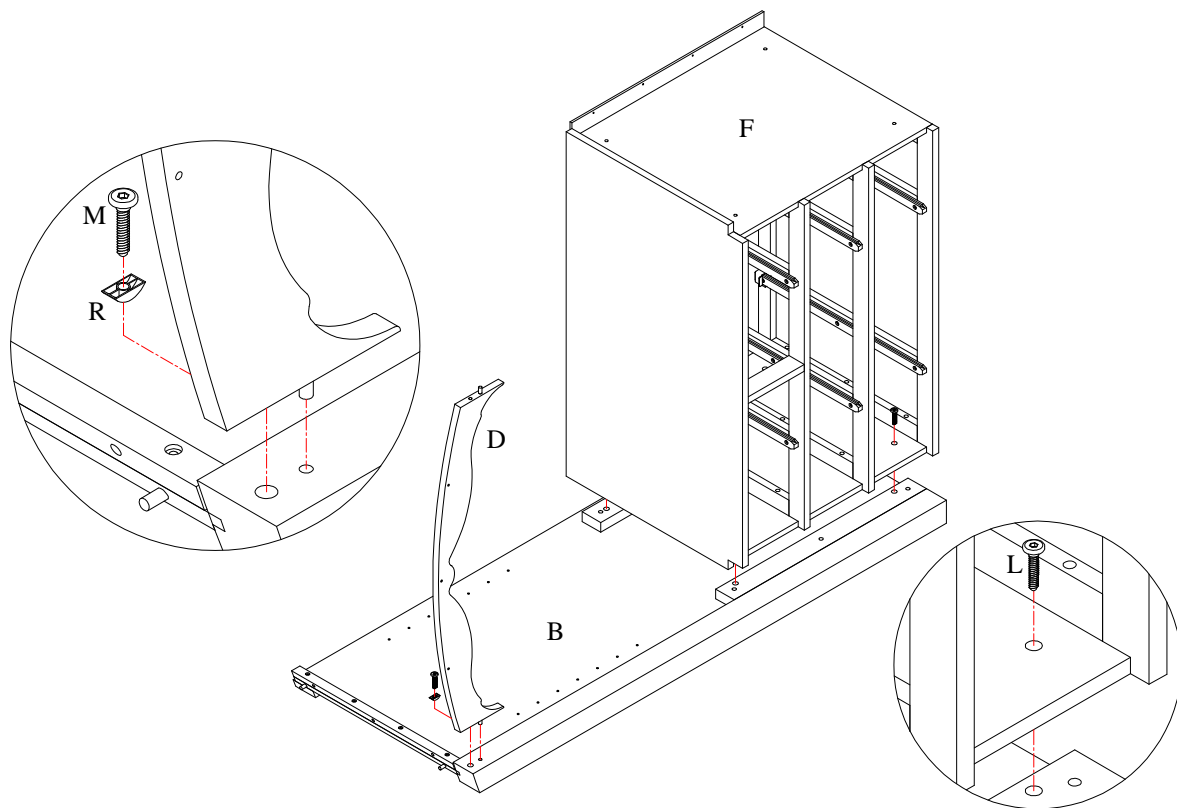
2. Remove all drawers from the Drawer Box (F). (See Fig.2)

(Fig. 2)



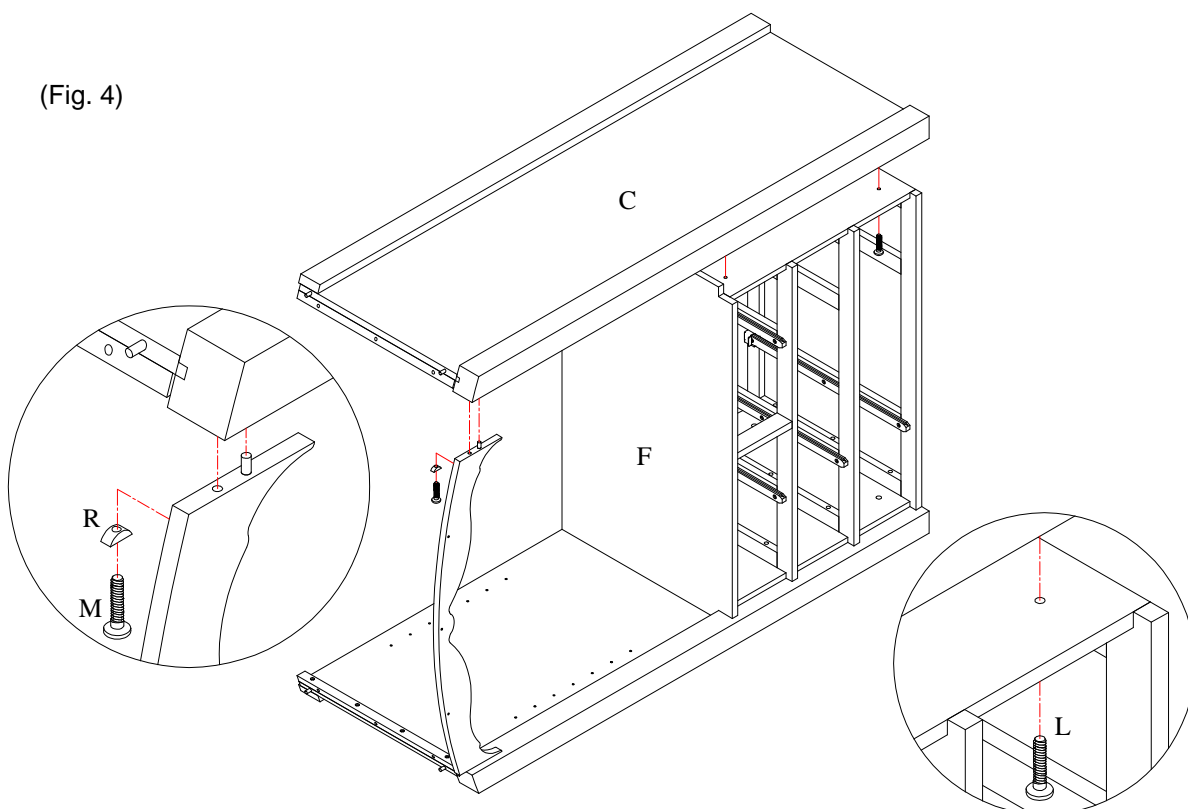
3. Lay the Drawer Box (F) down on the Left Panel (B). Align the pre-drilled holes of Drawer Box (F) to the pre-drilled holes of Left Panel (B) and fasten using Bolts (L). Tighten with Allen Key (Z). Insert Front Rail (D) into the pre-drilled holes of Left Panel (B) and fasten using Bolts (M) with Curve Washer (R). Tighten with Allen Key (Z). (See Fig.3)

(Fig. 3)



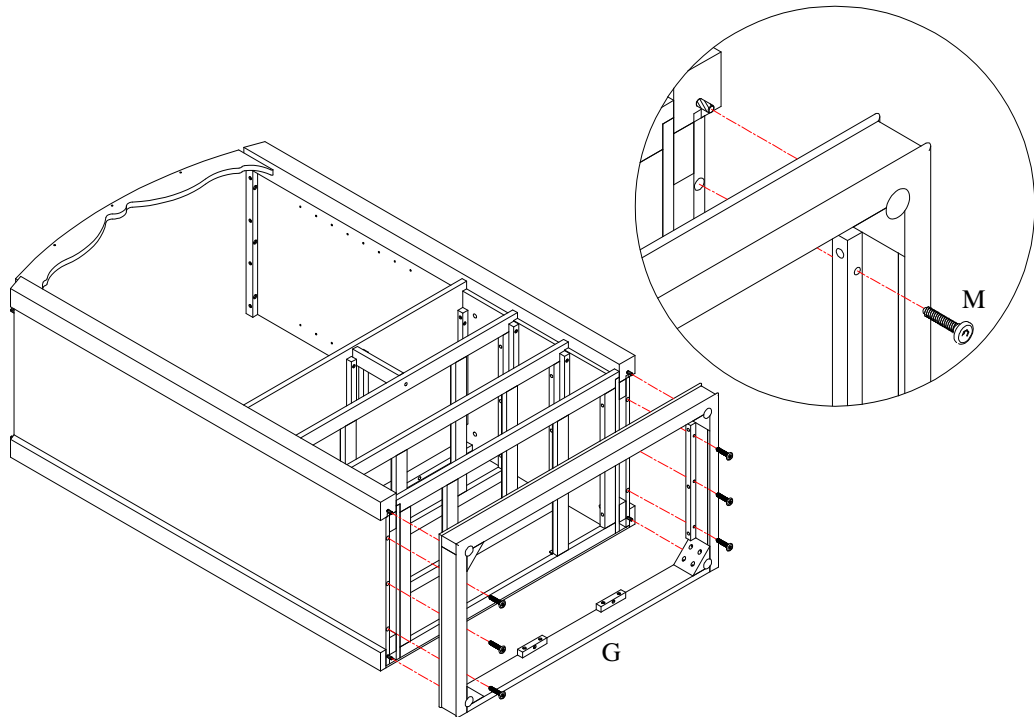
4. Place the Right Panel (C) onto the Drawer Box (F). Align the pre-drilled holes of Right Panel (C) to the pre-drilled holes of Drawer Box (F) and fasten using Bolts (L). Tighten with Allen Key (Z). Insert Front Rail (D) into the pre-drilled holes of Right Panel (C) and fasten using Bolts (M) with Curve Washer (R). Tighten with Allen Key (Z). (See Fig.4)

(Fig. 4)



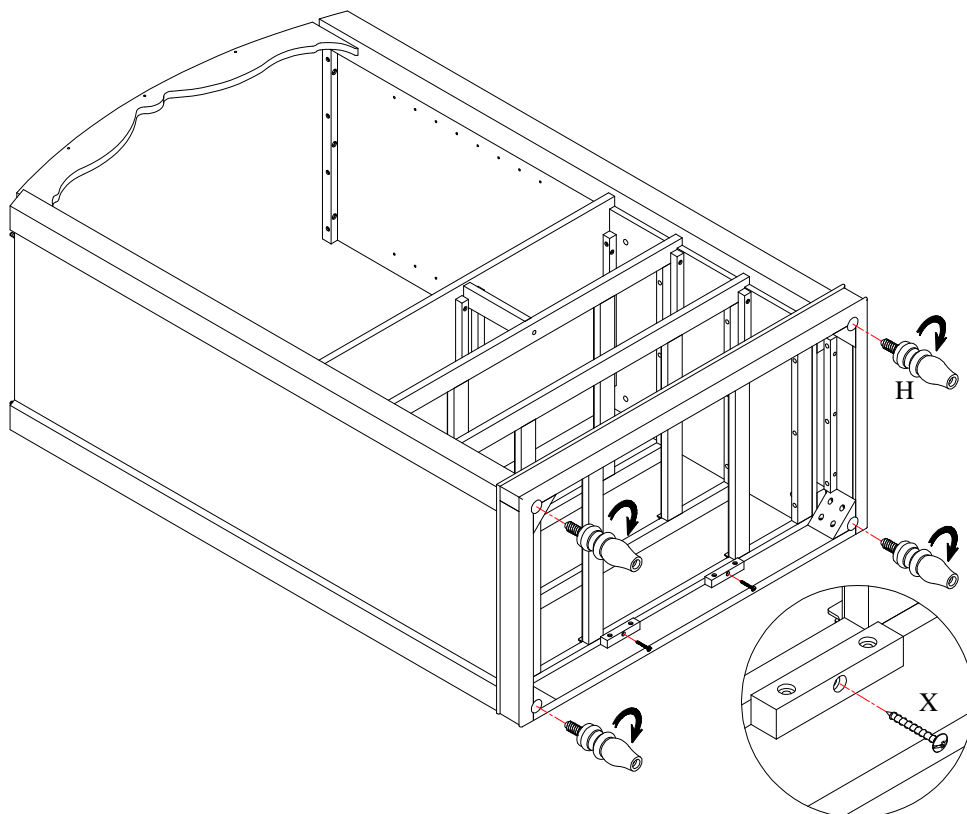
5. Attach the Base (G) to the bottom of Drawer Box (F) and fasten using Bolts (M). Tighten with Allen Key (Z).  
(See Fig.5 )

(Fig. 5)



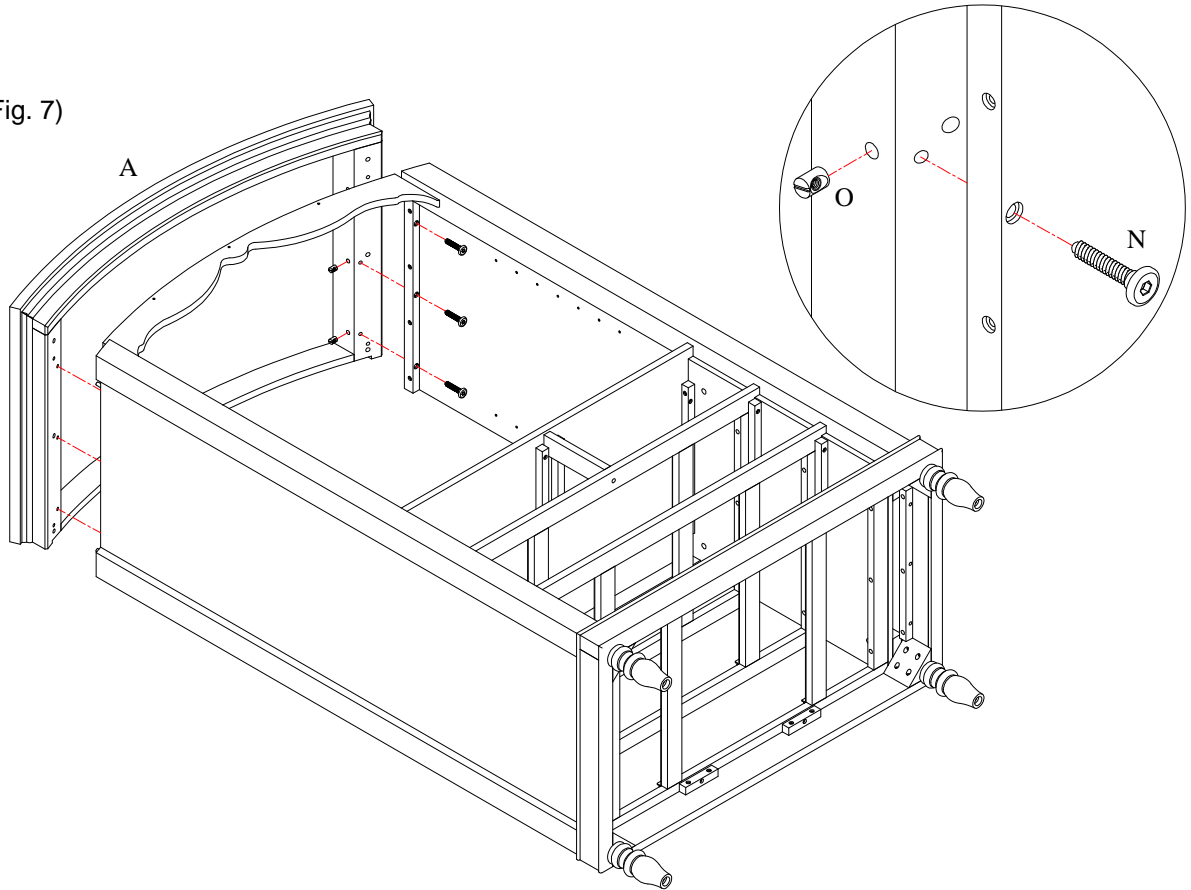
6. Attach the legs (H) to the Base (G). Fasten the wood blocks to the the Base (G) using Screws (X). Tighten with Phillips head screwdriver. (See Fig. 6 )

(Fig. 6)



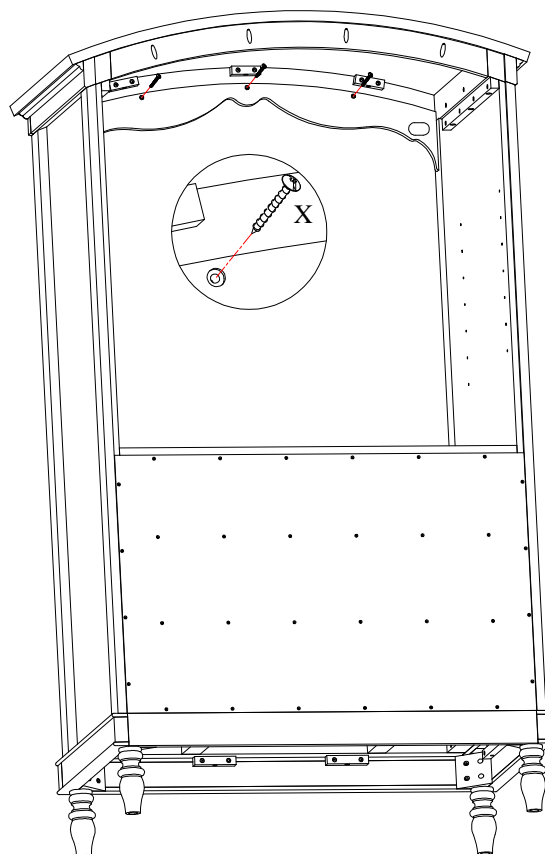
7. Attach Top (A) to the panels and fasten using Bolts (N) with Nuts (O). Tighten with Allen Key (Z). (See Fig. 7 )

(Fig. 7)



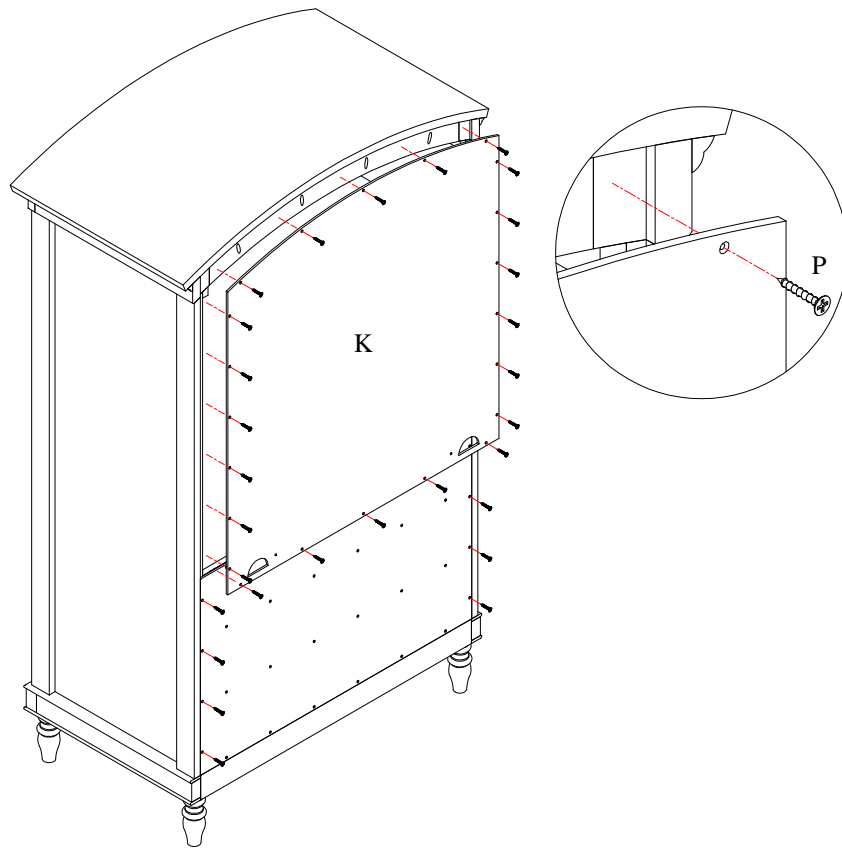
8. Turn the armoire upright. Align the pre-drilled holes of Top (A) to the pre-drilled holes of Front Rail (D) and fasten using Screws (X). Tighten with Phillips head screwdriver. (See Fig. 8 )

(Fig. 8)



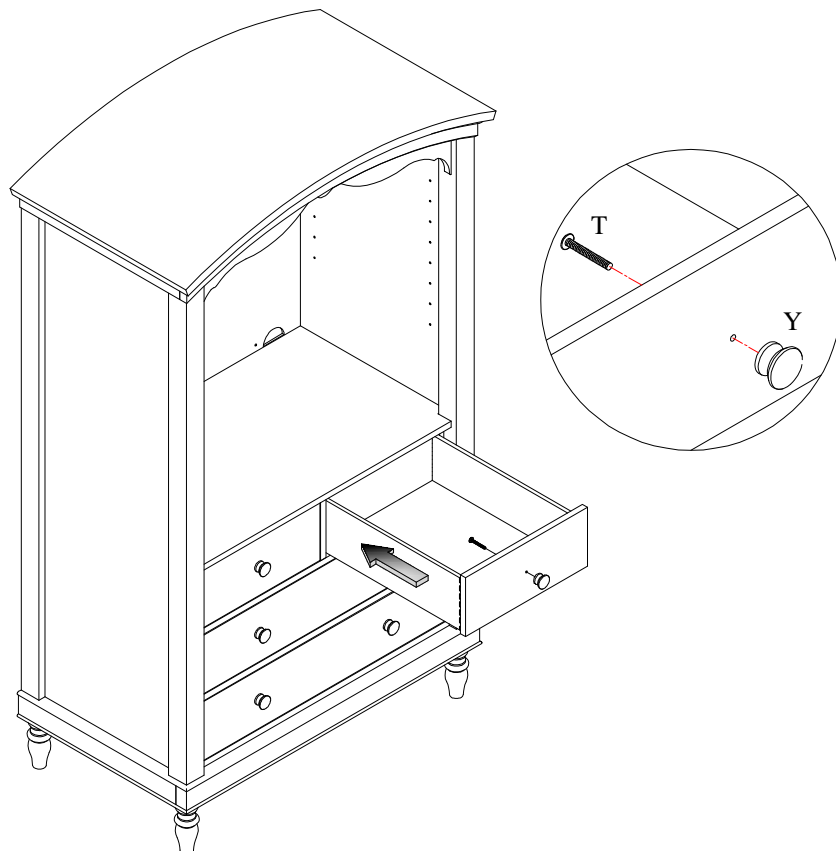
9. Fasten Back Panel-Upper (K) to the assembled parts using Screws (P). Tighten with Phillips head screwdriver.(See Fig. 9 )

(Fig. 9)



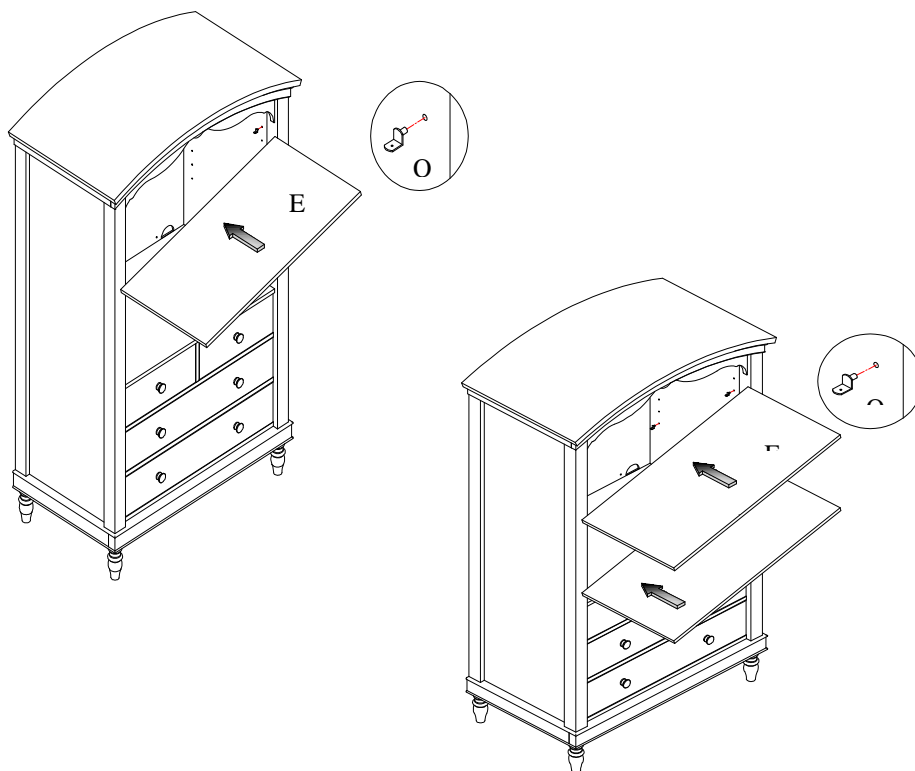
10. Fasten Knobs (Y) to drawers using Screws (T). Tighten with Phillips head screwdriver. (See Fig.10 )

(Fig. 10)



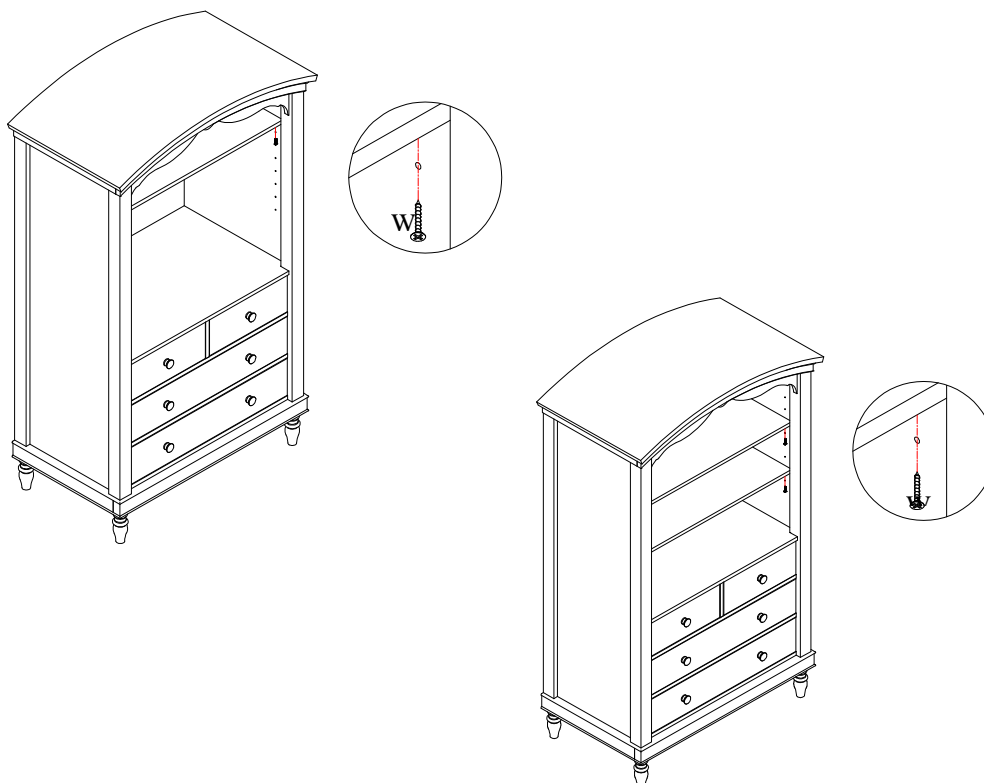
11. Insert Shelf Supports (Q) into the pre-drilled holes of the side panels at the desired height. Place the Adjustable Shelves (E) onto the Shelf Supports (Q). Ensure the Adjustable Shelves (E) are properly supported by all Shelf Supports (Q). **Note: Install only one shelf in the highest position while being used as a changing table.** Store the second shelf for future use when converting to an Armoire. (See Fig.11)

(Fig. 11)



12. Fasten the Screws (W) to the hole of Adjustable Shelves (E). Tighten with Phillips head screwdriver. (See Fig.12)

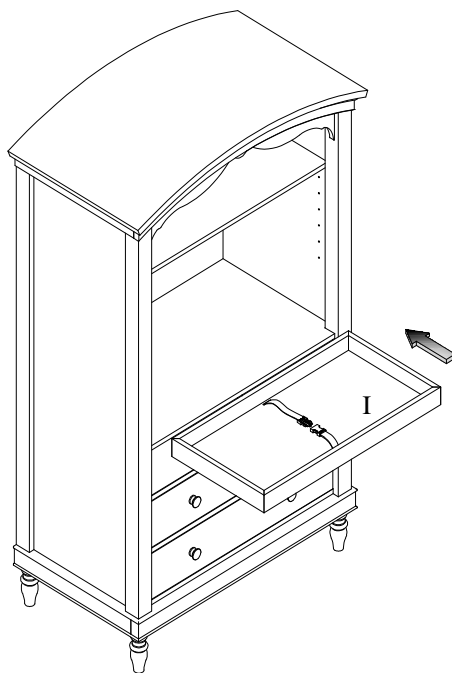
(Fig. 12)





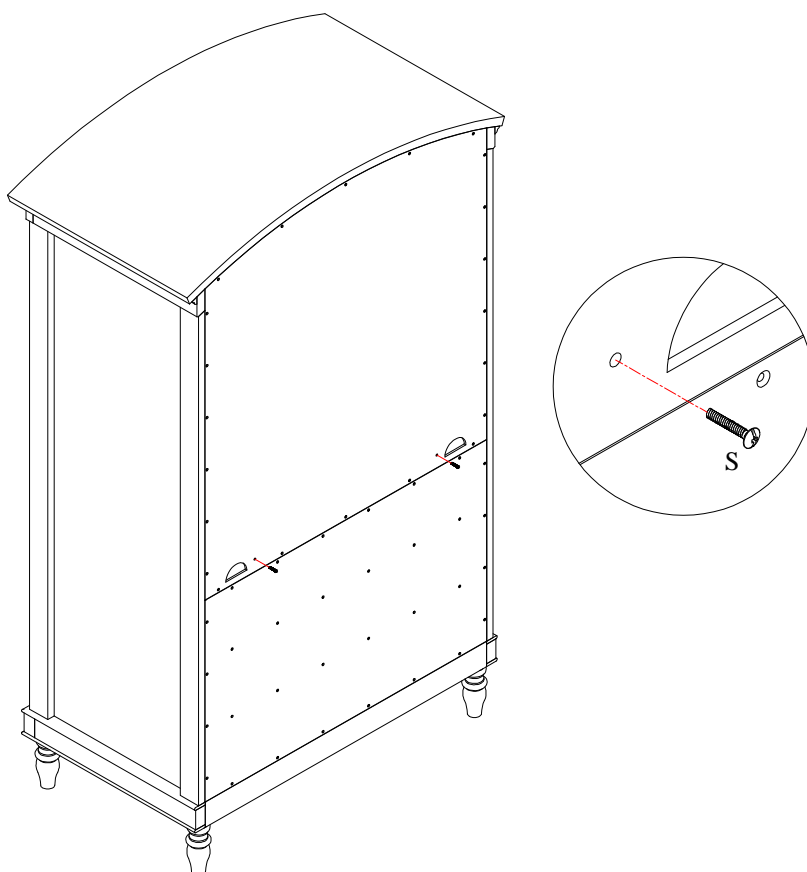
13. Carefully place the Topper ( I ) on Drawer Box ( F). (See Fig.13)

(Fig. 13)



14. Align the pre-drilled holes of the Topper ( I ) to the pre-drilled holes at the Back Panel-Upper (K) of the armoire and fasten using Screws (S). Tighten with Phillips head screwdriver. (See Fig.14)

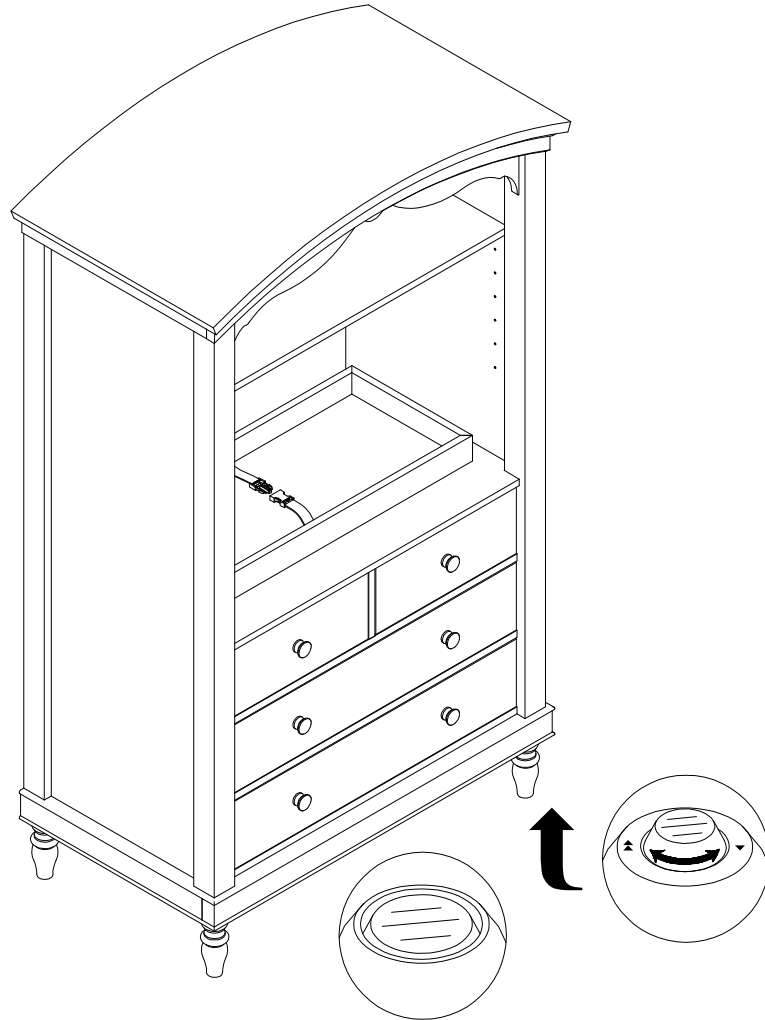
(Fig. 14)



15. If your floor is not perfectly even, the furniture may not sit level. Determine which corner does not touch the ground correctly. With two people follow these steps:

- Carefully elevate the item slightly to provide access to the levelers attached to the bottom.
- Turn the levelers in a counter-clockwise direction.
- Gently set down the piece and check stability.
- Repeat steps until the furniture sits firmly on the ground. (See Fig.15)

(Fig. 15)



**CARE INSTRUCTIONS:**

- Dust often using a clean, soft, dry lint-free cloth.
- Blot spills immediately, and wipe with a clean, damp, cloth.
- We do not recommend the use of chemical cleansers, abrasives, or furniture polish on our lacquered finish.

Thank you for your purchase  
stores | catalog | [www.potterybarnkids.com](http://www.potterybarnkids.com)