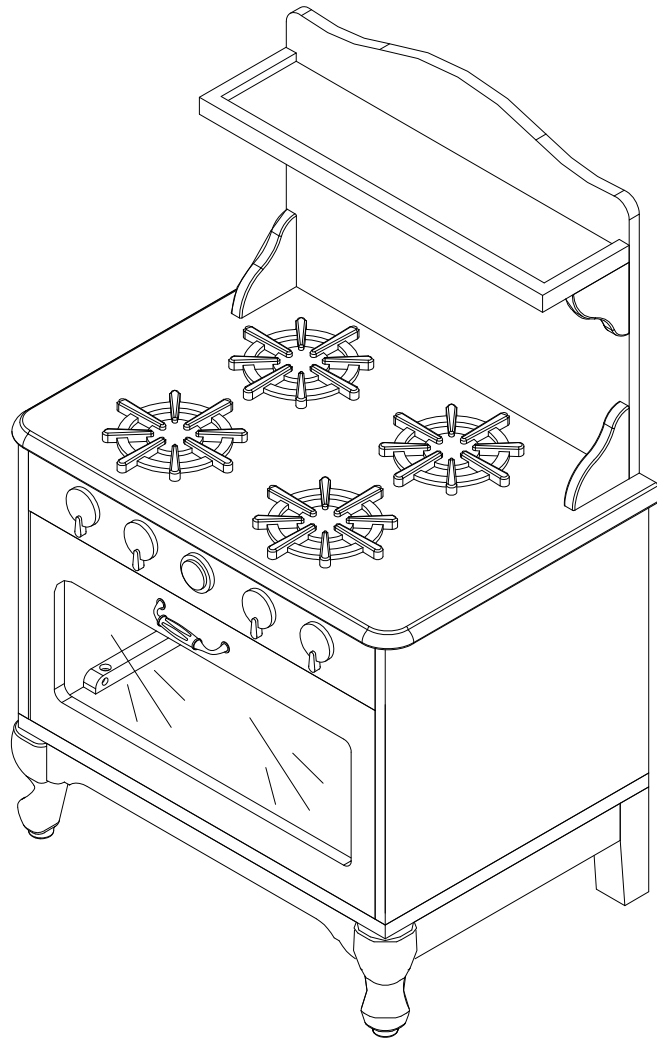


pottery barn kids



FARMHOUSE KITCHEN OVEN

Important Safety Instructions:

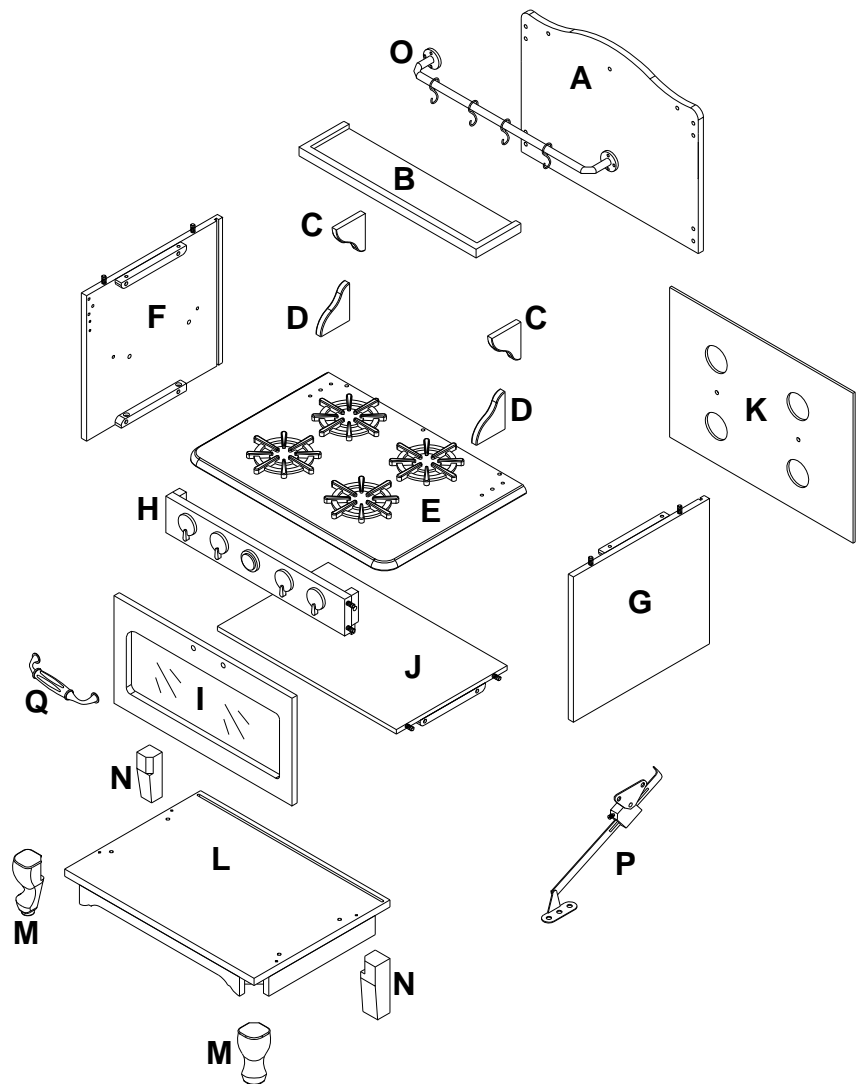
- Please read all instructions carefully before assembling.
- For your safety, assembly by two or more adults is strongly recommended.
- Keep instructions for future use.
- Use only vendor supplied hardware to assemble. Using unauthorized hardware could jeopardize the structural integrity of the item.
- **WARNING:** INSTALLING AN ANTI-TIP KIT IS STRONGLY RECOMMENDED TO PREVENT INJURY FROM TIPPING FURNITURE (SEE SEPARATE ASSEMBLY INSTRUCTIONS).
- **CAUTION:** This item contains small parts that have sharp points and edges in the unassembled state. Care should be taken when unpacking and assembling this item. Not recommended for children under 3 years of age.

Pre-assembly:

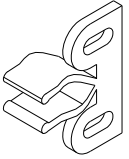
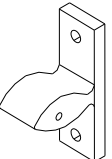


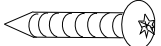
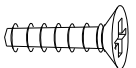
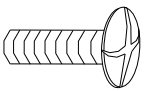
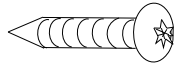
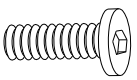
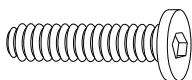
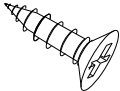
- Remove all parts and hardware from the box and lay out on a clear carpeted or scratch-free work surface, as this will avoid damaging parts during assembly. The shipping box provides an ideal work surface.
- Do not dispose of any packaging or contents of the shipping carton until assembly is completed to avoid accidentally discarding small parts or hardware.
- Use the parts and hardware lists below to identify and separate each of the pieces included.
- The use of power tools to aid in assembly is not recommended. Power tools can damage hardware and split wood.
- The illustrations provided allow for easier assembly when used in conjunction with the assembly instructions. It may take 2 hours or more to assembly your Farmhouse Kitchen Oven.

Parts Included:

(A)	Back top	1x
(B)	Top Tray	1x
(C)	Upper Apron	2x
(D)	Lower Apron	2x
(E)	Top Panel	1x
(F)	Left Side Panel	1x
(G)	Right Side Panel	1x
(H)	Front Panel	1x
(I)	Door	1x
(J)	Shelf	1x
(K)	Back Panel	1x
(L)	Bottom Panel	1x
(M)	Front Leg	2x
(N)	Rear Leg	2x
(O)	Towel Rack	1x
(P)	Lid Stay	1x
(Q)	Handle	1x

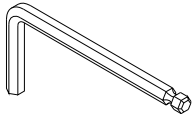


Hardware Included:

<p>(a) Door Catch Female</p>  <p>1x</p>	<p>(b) Door Catch Male</p>  <p>1x</p>	<p>(c) Flat Washer</p>  <p>34x</p>	<p>(d) Spring Washer</p>  <p>36x</p>
<p>(e) Screw</p>  <p>10mm 4x</p>	<p>(f) Screw</p>  <p>12mm 4x</p>	<p>(g) Screw</p>  <p>15mm 2x</p>	<p>(h) Screw</p>  <p>25mm 6x</p>
<p>(i) Bolt</p>  <p>Dia. 1/4"x1" 26x</p>	<p>(j) Bolt</p>  <p>Dia. 1/4" x1-1/2" 10x</p>	<p>(k) Screw</p>  <p>12mm 11x</p>	

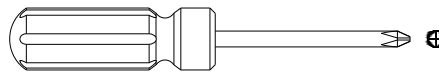
- Anti-tip kit (with separate instructions)

Tools Required (included):



Allen Key 4mm

Tools Required (not included):

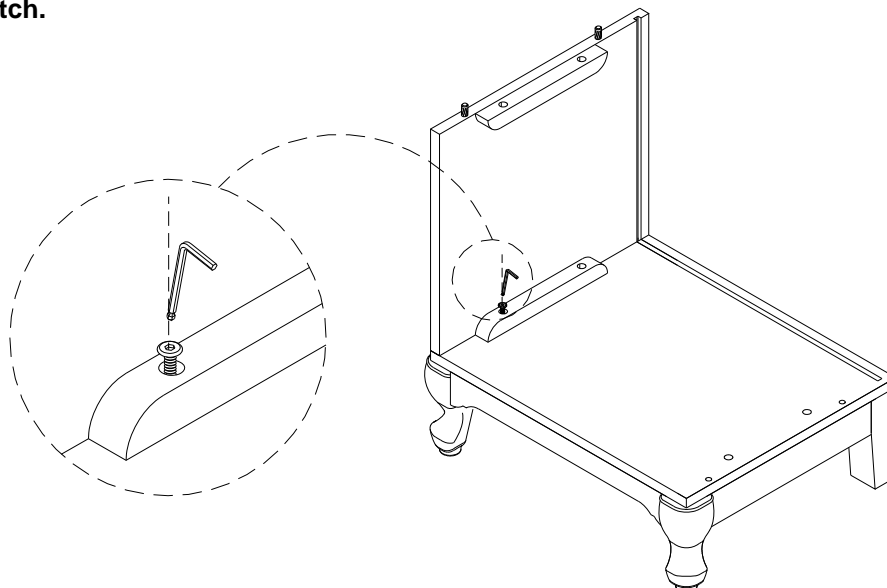


Phillips Head Screwdriver



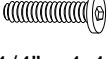
Assembly Instruction Steps:

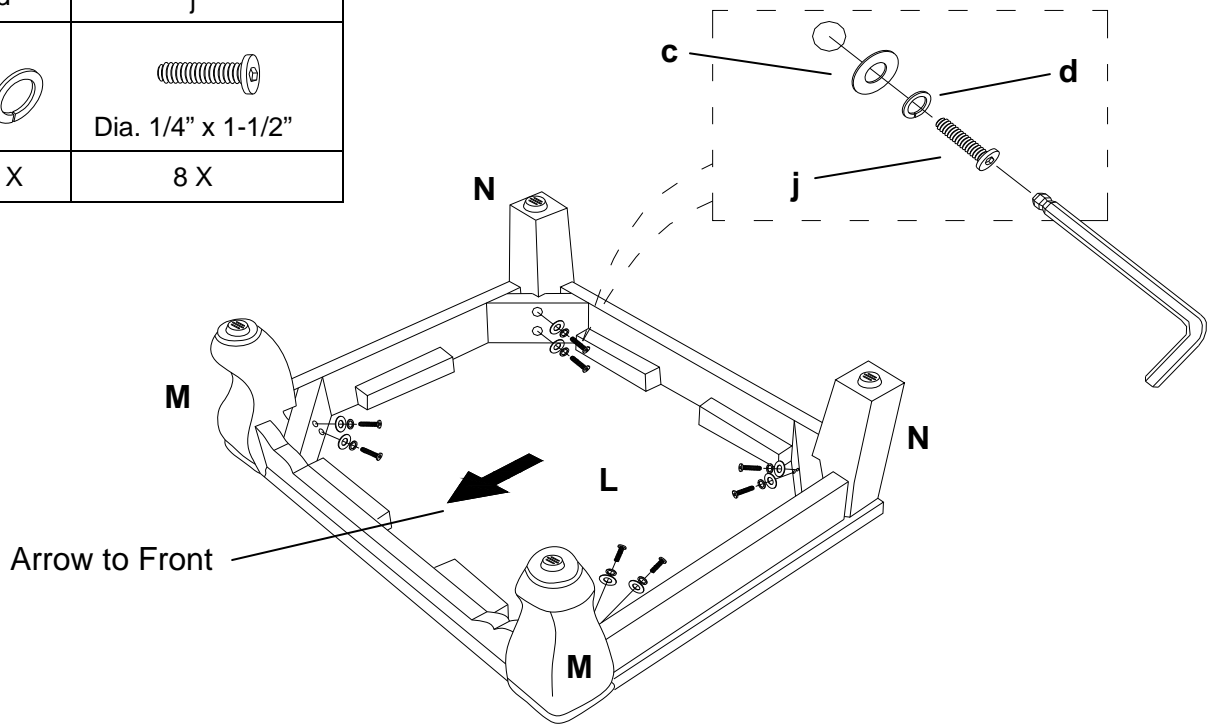
NOTE:

- To follow the direction and position of illustrations could avoid wrong assembly.
- Use the ball-head side of the Allen wrench to tighten the bolt. Slightly incline the Allen key could avoid scratch.






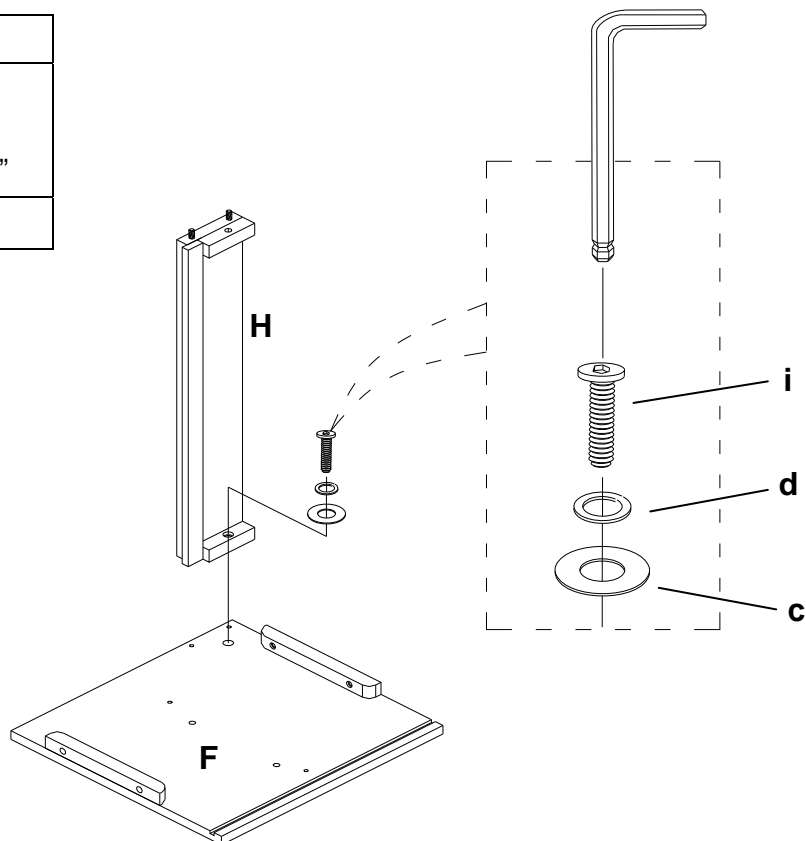
1. Attach Legs (M and N) to Bottom Panel (L) using Bolt (j), Spring Washer (d) and Flat Washer (c). Loosely tighten the bolts, and then tighten with Allen Key.

c	d	j
		 Dia. 1/4" x 1-1/2"
8 X	8 X	8 X



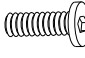


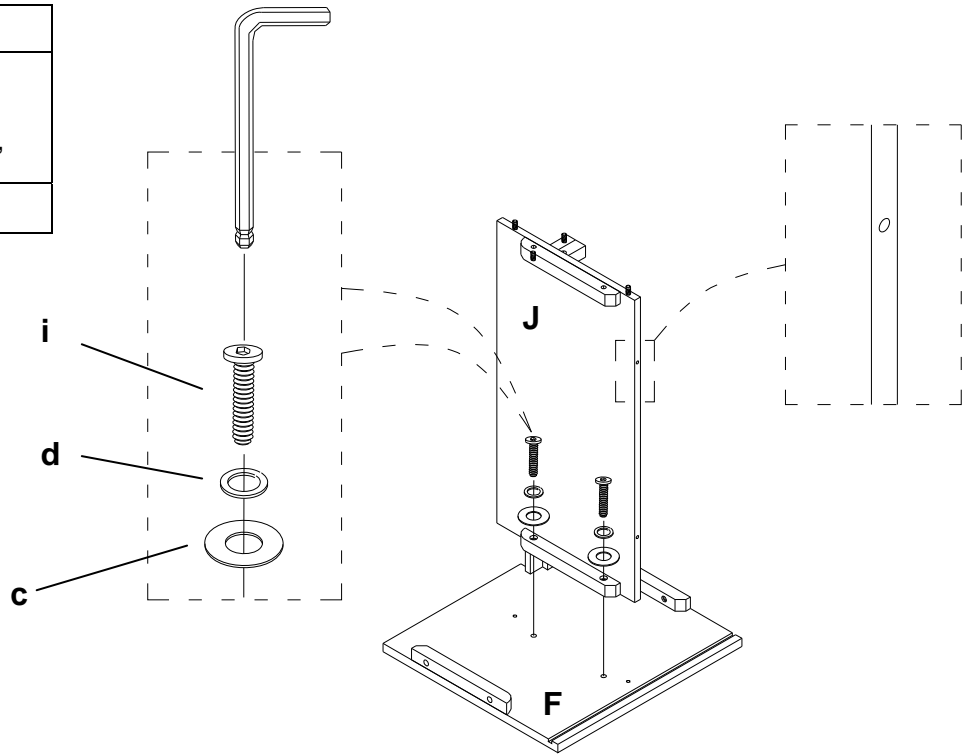
2. Attach Front Panel (H) to the Left Side Panel (F) using Bolt (i), Spring Washer (d) and Flat Washer (c). Loosely tighten the bolts, and then tighten with Allen Key.

c	d	i
		 Dia. 1/4" x 1"
1 X	1 X	1 X



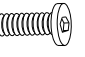


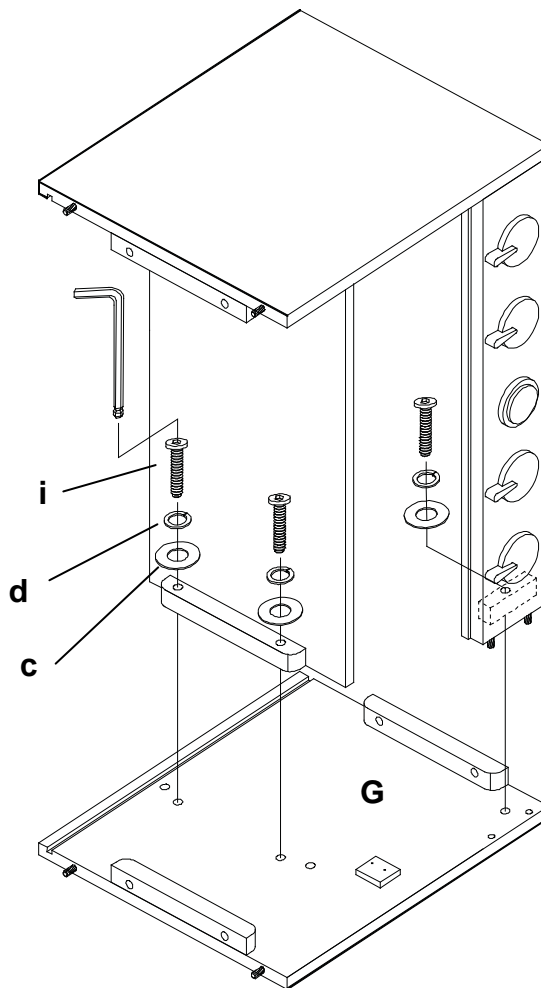
3. Attach Shelf (J) to the Left Side Panel (F) using Bolt (i), Spring Washer (d) and Flat Washer (c). Loosely tighten the bolts, and then tighten with Allen Key.

c	d	i
		 Dia.1/4" x 1"
2 X	2 X	2 X



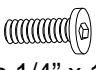


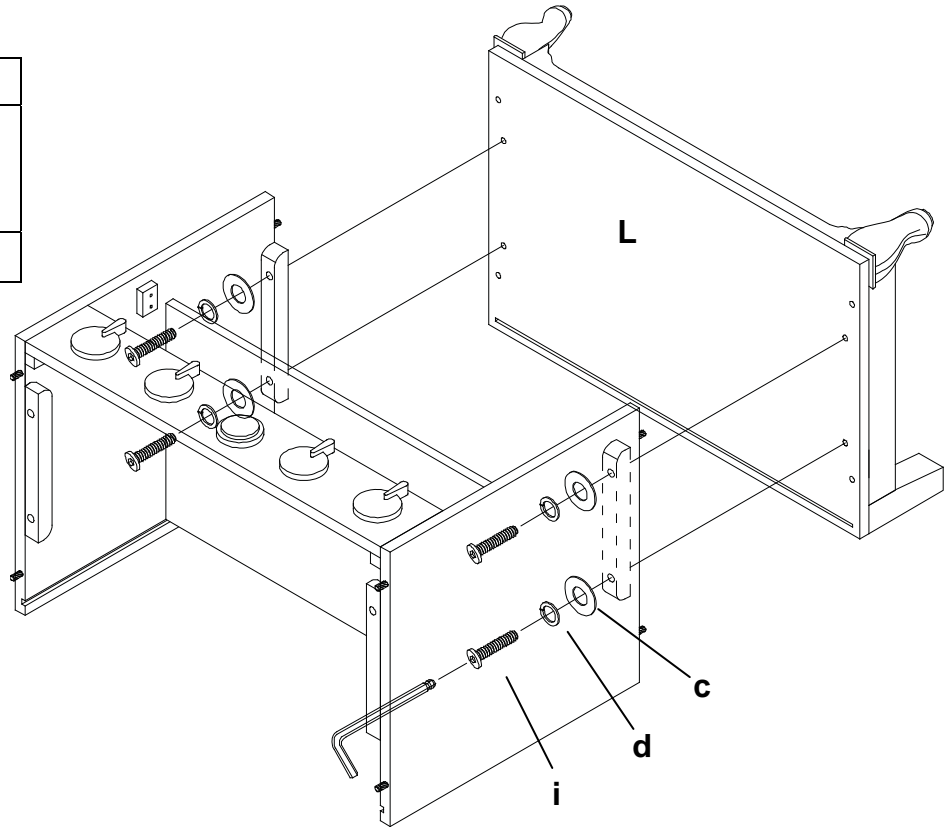
4. Attach assembly in step 3 to Right Side Panel (G) as shown. Insert Bolt (i), Spring Washer (d) and Flat Washer (c), loosely tighten the bolts, and then tighten with Allen Key.

c	d	i
		 Dia.1/4" x 1"
3 X	3 X	3 X

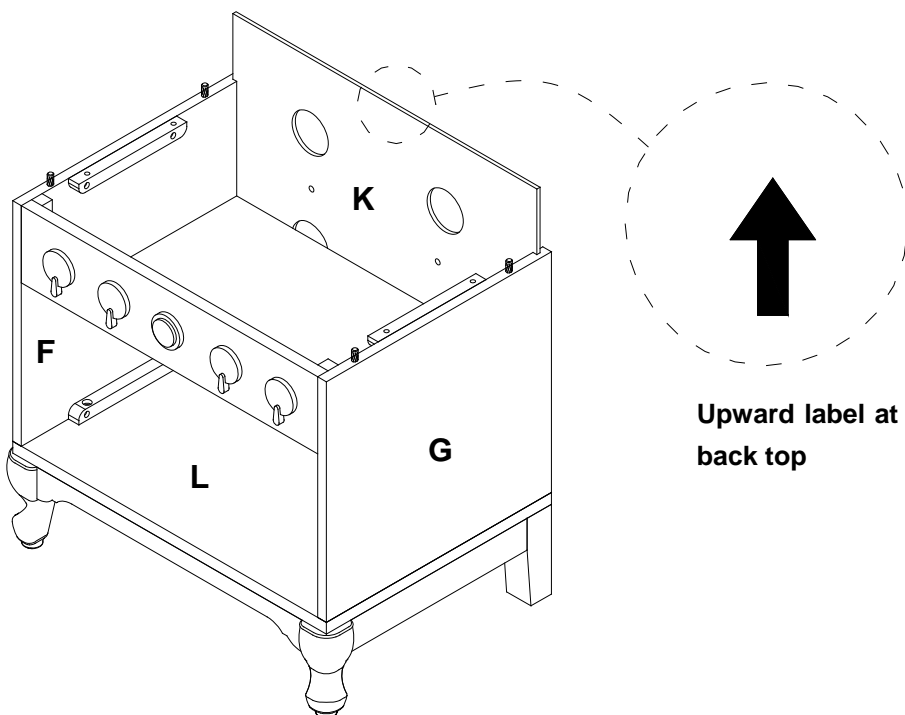


5. Attach assembly in step 4 to Bottom Panel (L) using Bolt (i), Spring Washer (d) and Flat Washer (c). Loosely tighten the bolts, and then tighten with Allen Key.


c	d	i
		 Dia.1/4" x 1"
4X	4 X	4 X

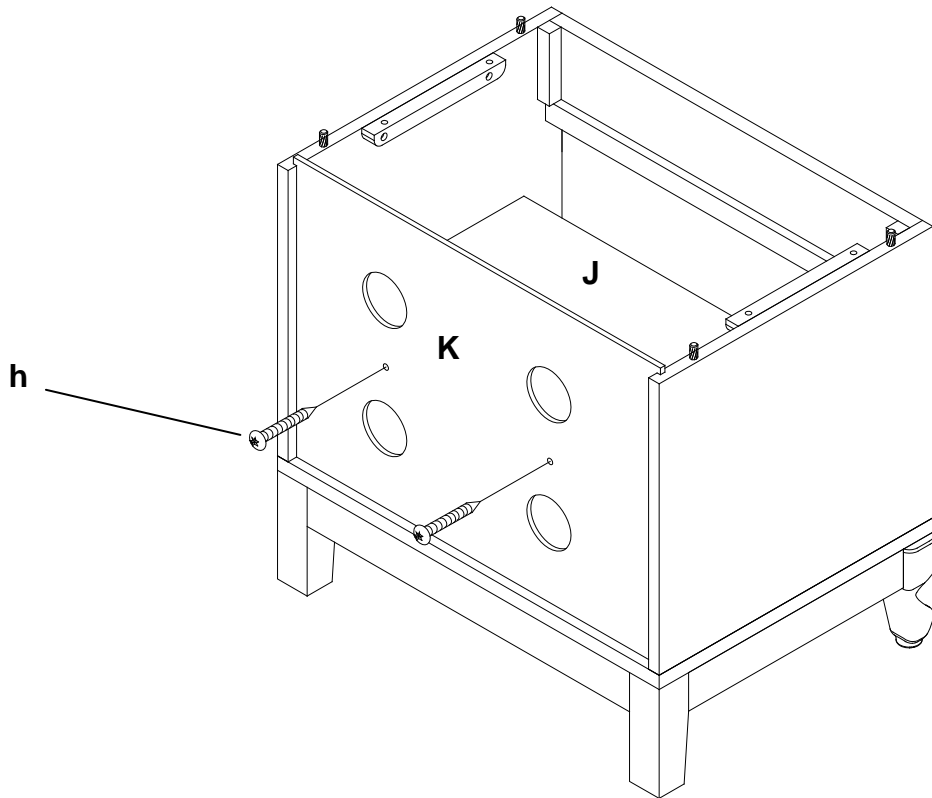


6. Slide Back Panel (K) into grooves on Side Panels (F and G) and Bottom Panel (L) as shown .





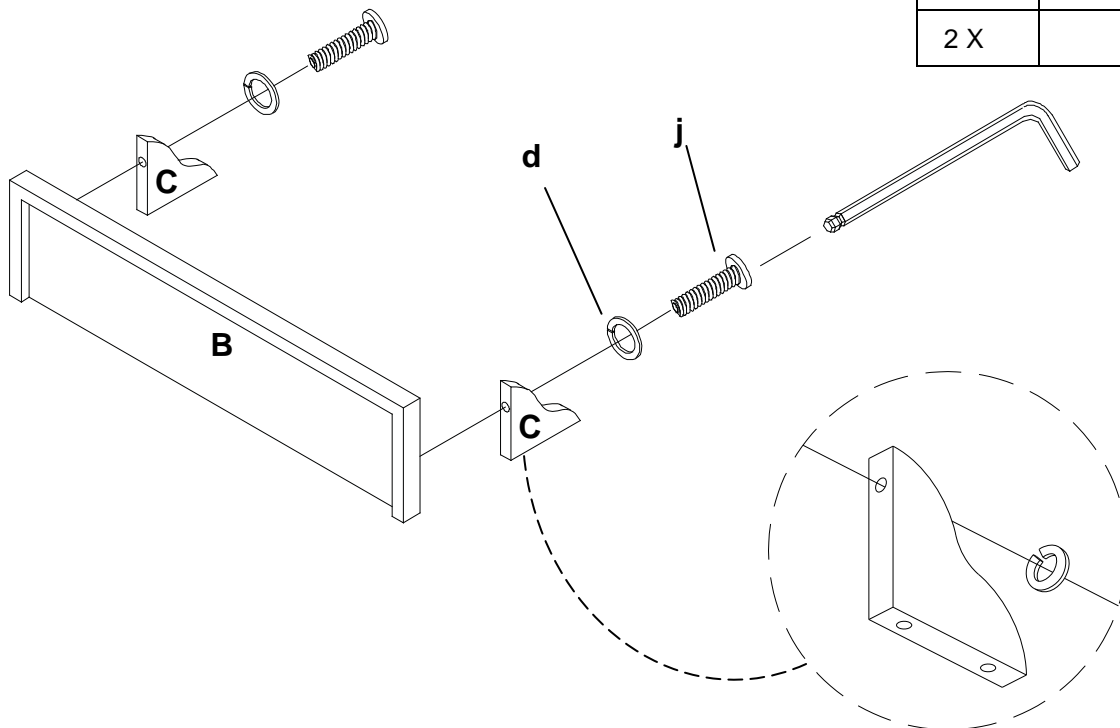
7. Align the holes on Back Panel (K) with the pre-drilled holes on Shelf (J), insert the Screws (h) and tighten with Phillips head screwdriver.

h

25mm
2 X






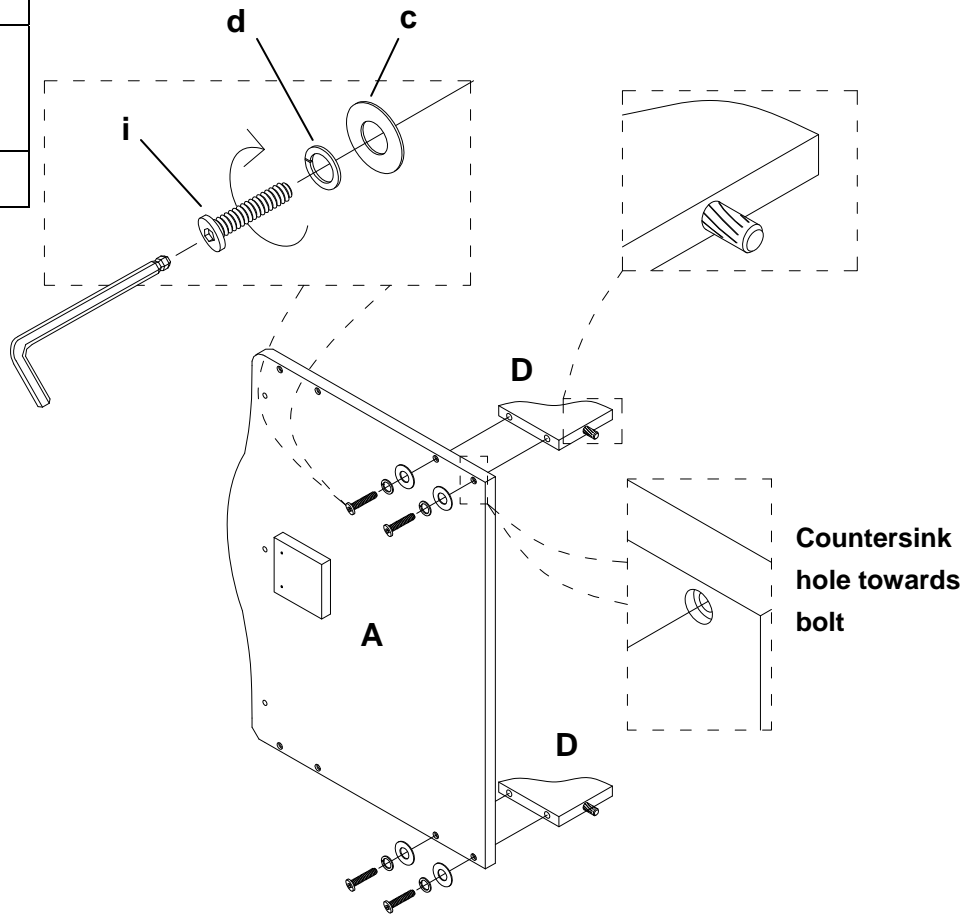
8. Attach Upper Apron (C) to the Top Tray (B) using Bolt (j) and Spring Washer (d), tighten with Allen Key.

d	j
	
2 X	Dia. 1/4" x 1-1/2" 2 X




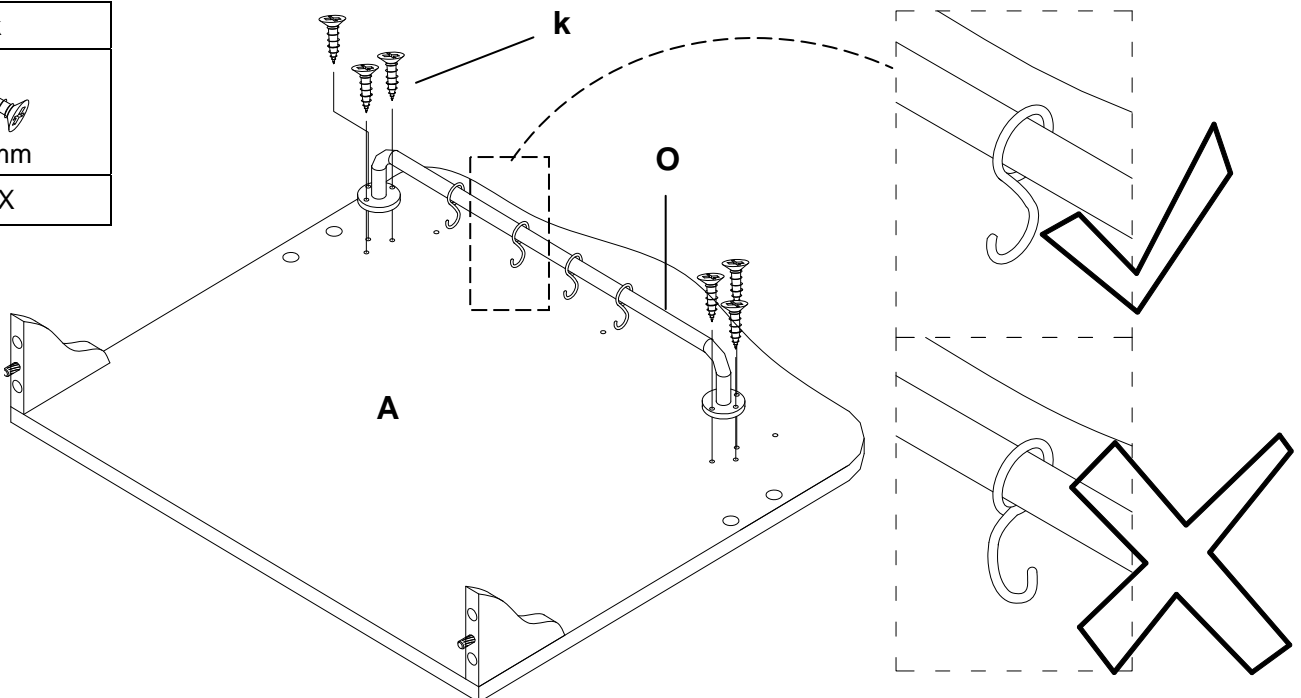
9. Attach Lower Apron (D) to Back Top (A) using Bolt (i), Spring Washer (d) and Flat Washer (c). Loosely tighten the bolts, and then tighten with Allen Key.

c	d	i
		 Dia. 1/4" x 1"
4X	4 X	4 X

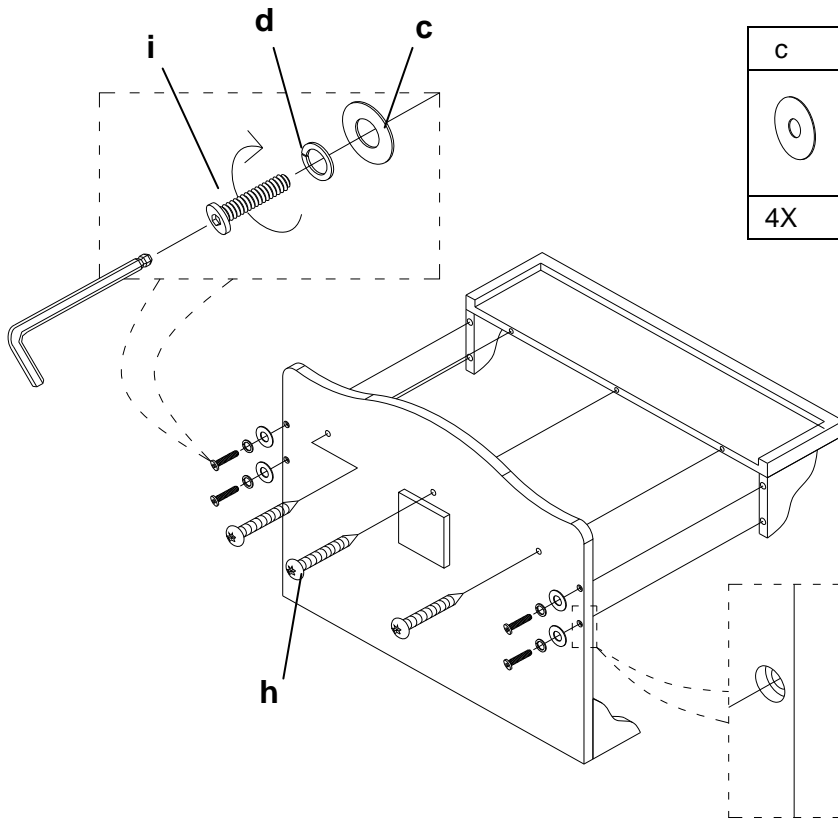


10. Align the holes on Towel Bar (O) to the pre-drilled holes on Back Top (A), insert Screws (k) and tighten with Phillips head screwdriver.

k

12mm
6 X



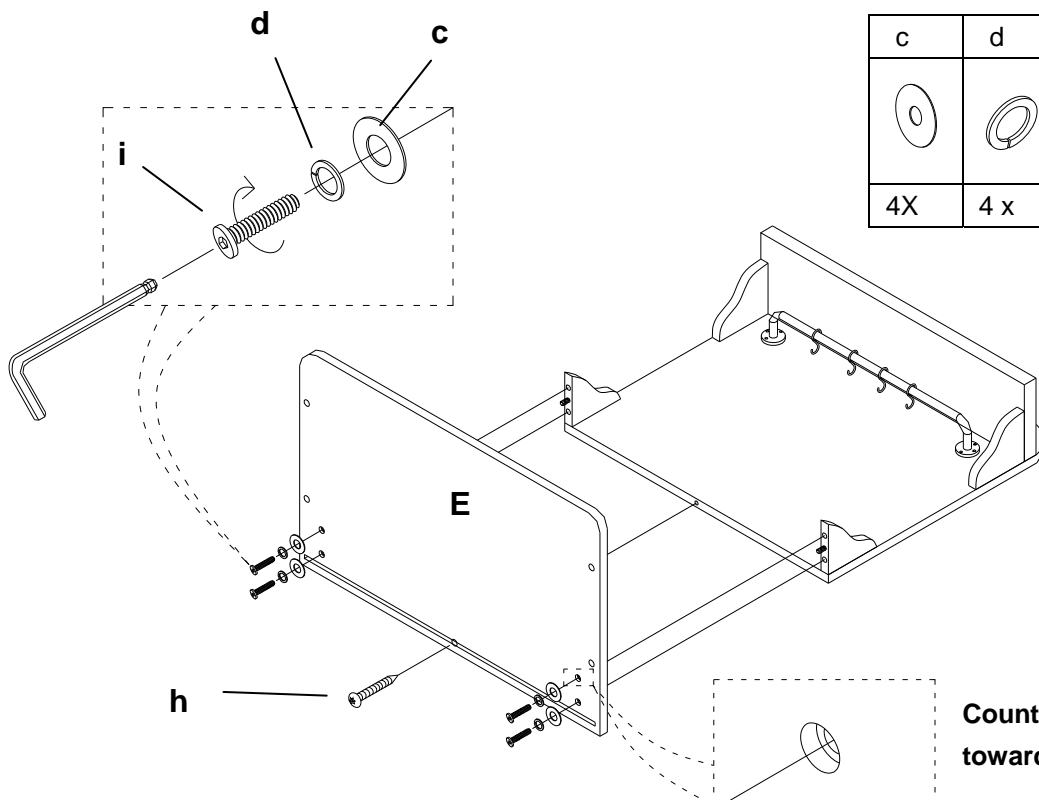
11. Attach assembly in step 8 to assembly in step 10 as shown, insert Bolt (i), Spring Washer (d) and Flat Washer (c). Loosely tighten the bolts, and then tighten with Allen Key. Insert Screws (h) as shown and tighten with Phillips head screwdriver.



c	d	h	i
4X	4 x	25mm 3 X	Dia. 1/4" x 1" 4 X

Countersink hole
towards bolt

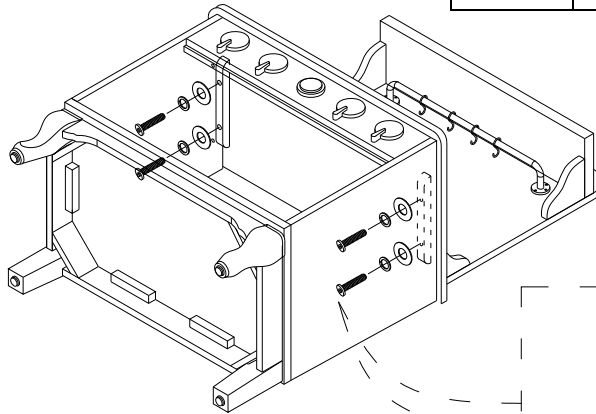
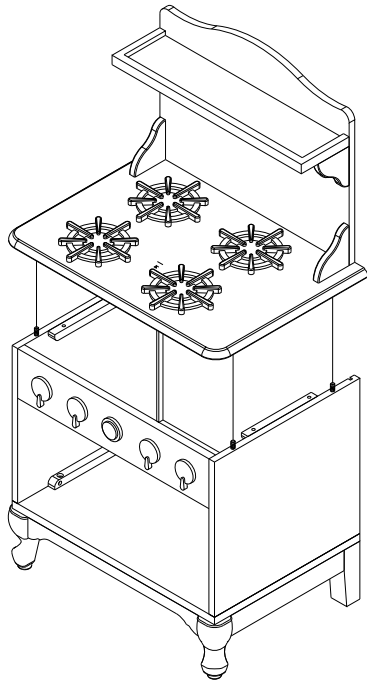
12. Attach Top Panel (E) to assembly in step 11 using Bolt (i), Spring Washer (d) and Flat Washer (c). Loosely tighten the bolts, and then tighten with Allen Key. Insert Screws (h) as shown and tighten with Phillips head screwdriver.



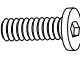


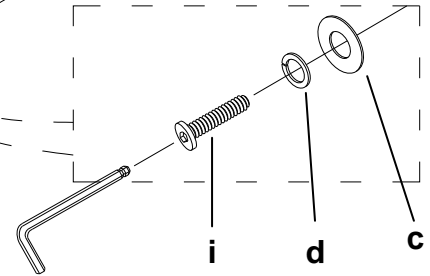
c	d	h	i
4X	4 x	25mm 1 X	Dia. 1/4" x 1" 4 X

Countersink hole
towards bolt



13. Attach top assembly in step 12 to base assembly in step 7, carefully turn it onto its side lying on ground. Insert Bolt (i), Spring Washer (d) and Flat Washer (c) as shown. Loosely tighten the bolts, and then tighten with Allen Key.

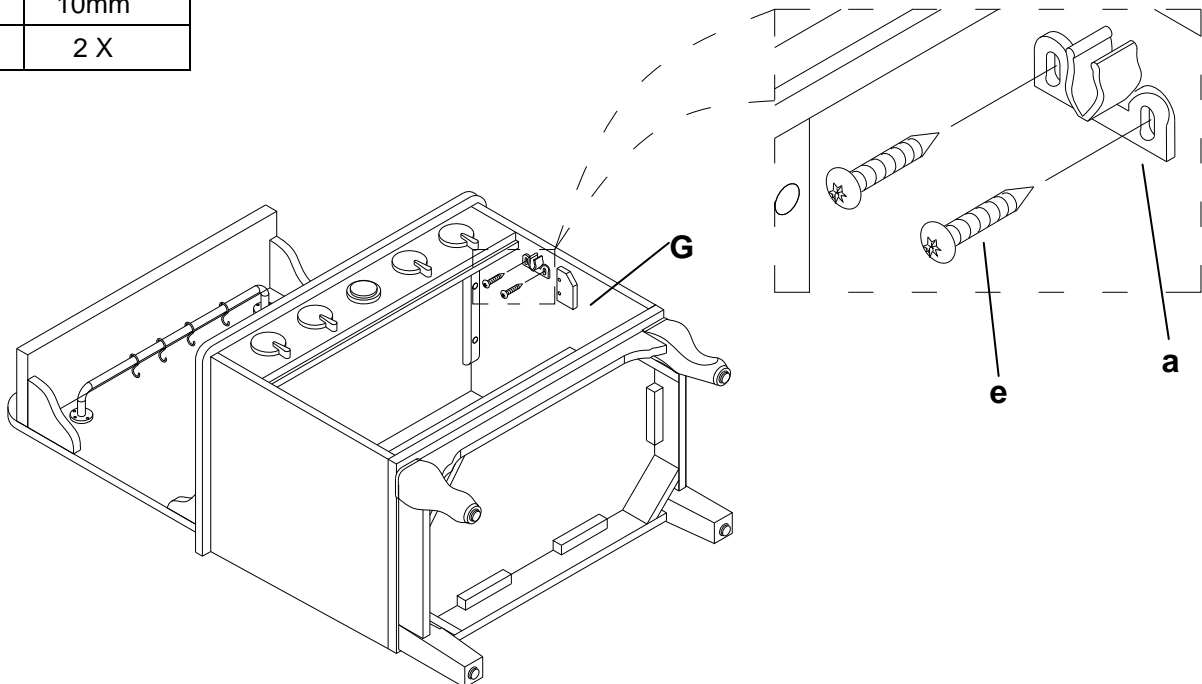


c	d	i
		 Dia. 1/4" x 1"
4X	4 X	4 X

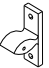

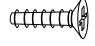


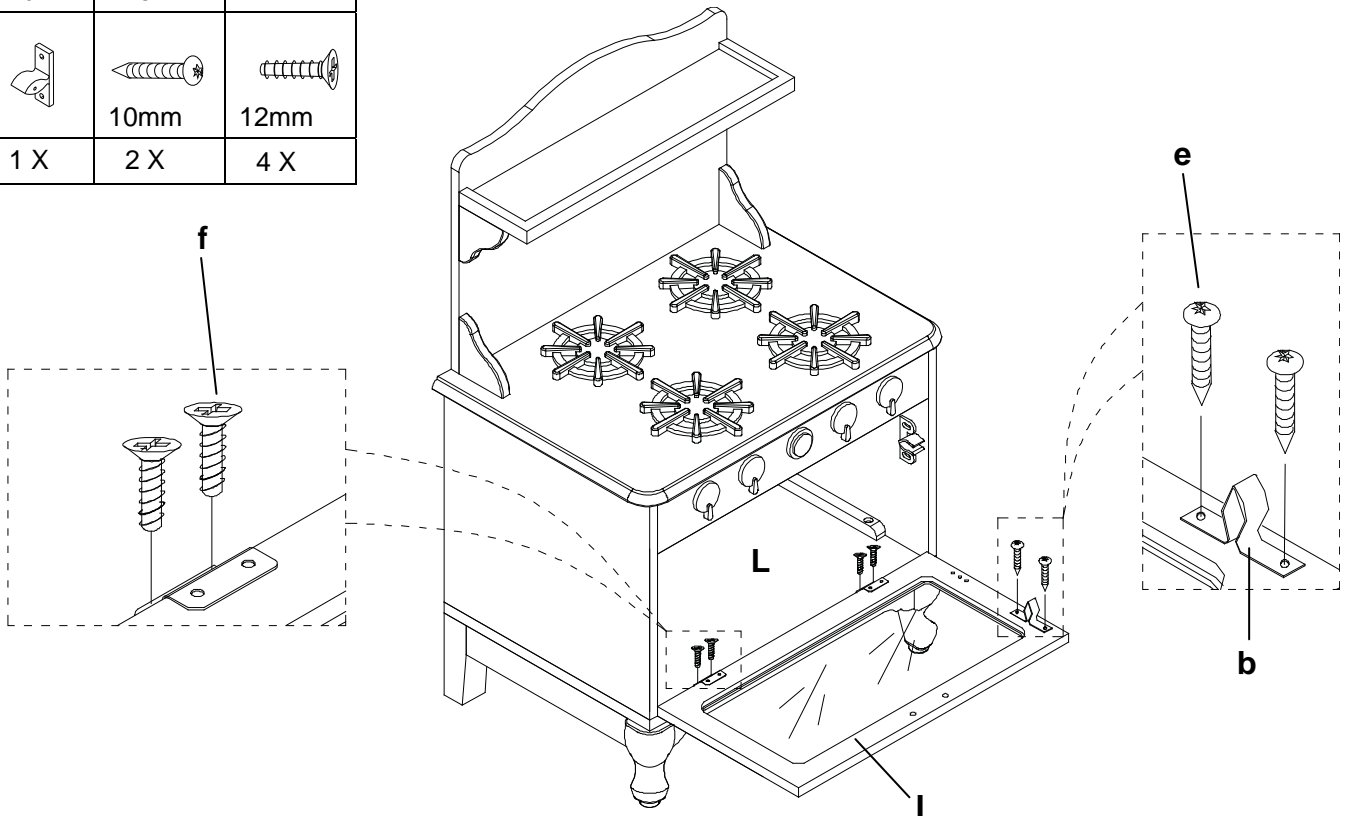
14. Attach Door Catch Female (a) to Right Side Panel (G) using Screw (e), tighten with Phillips head screwdriver.

a	e
	 10mm
1 X	2 X




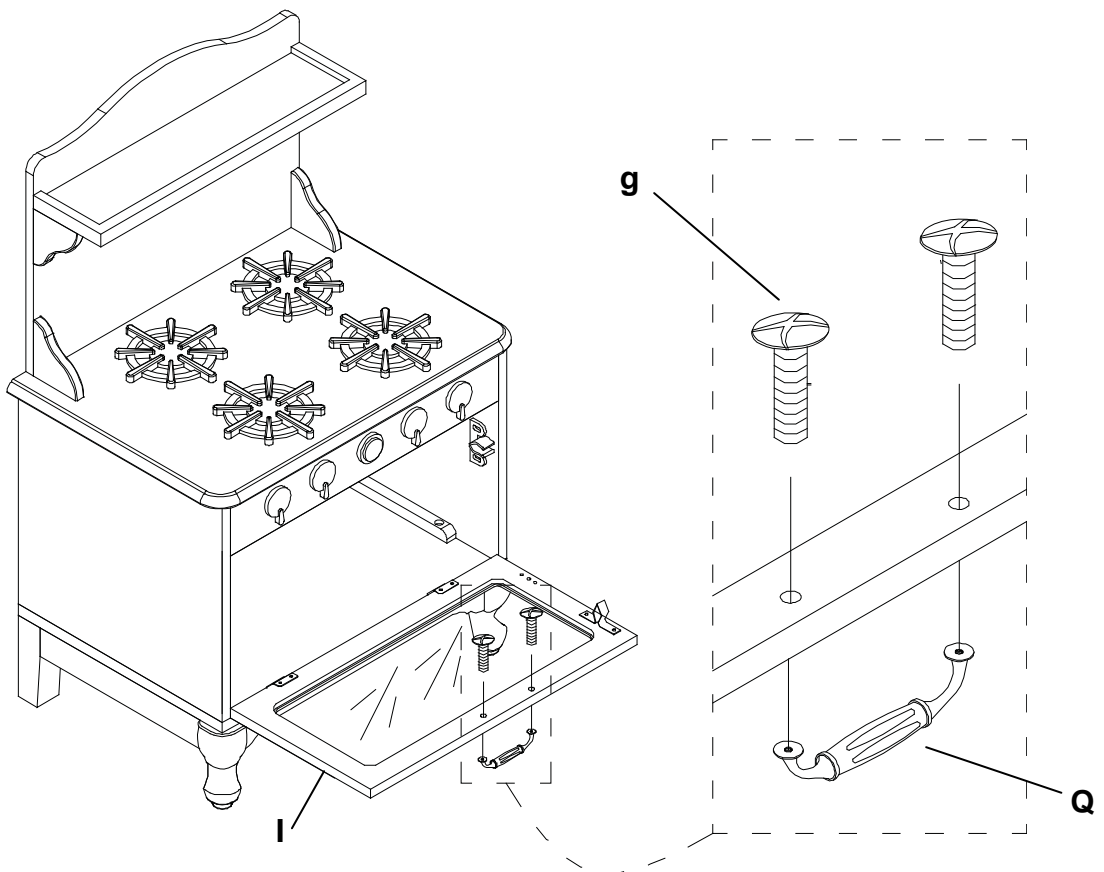
15. Turn the Oven upright. Attach Door (I) to Bottom Panel (L) using Screw (f), tighten with Phillips head screwdriver. Attach Door Catch male (b) to Door (I) using Screw (e), tighten with Phillips head screwdriver .

b	e	f
		
1 X	2 X	4 X

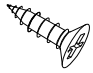


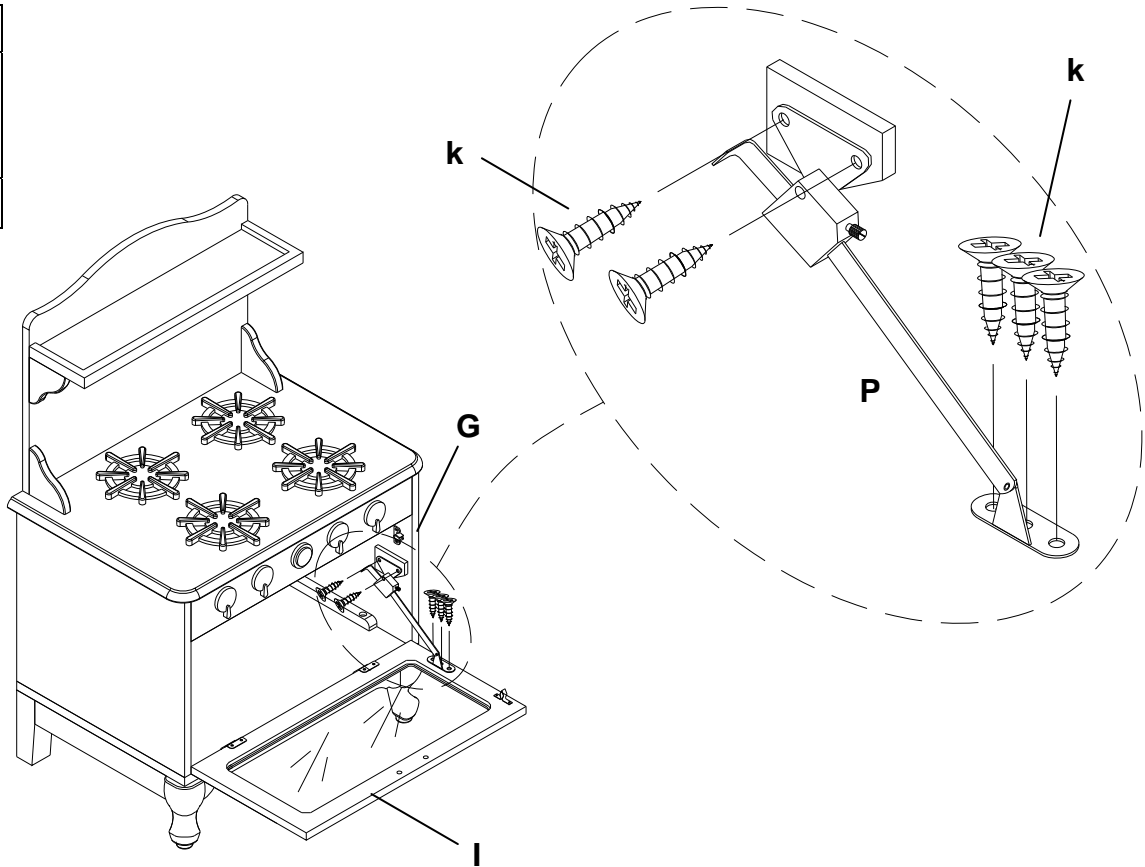
16. Attach the Handle (Q) to Door (I) using Screw (g), tighten with Phillips head screwdriver .

g

15mm
2 X

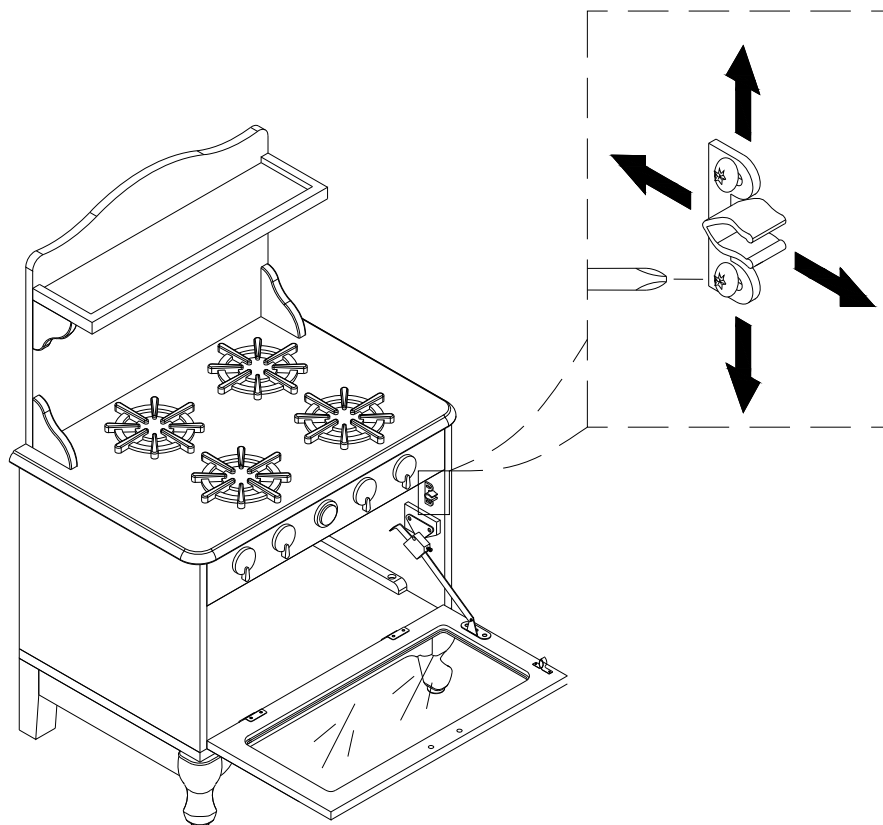


17. Attach Lid Stay (P) to Right Side Panel (G) and Door (I) using Screw (k), tighten with Phillips head screwdriver .

k

12mm
5 X



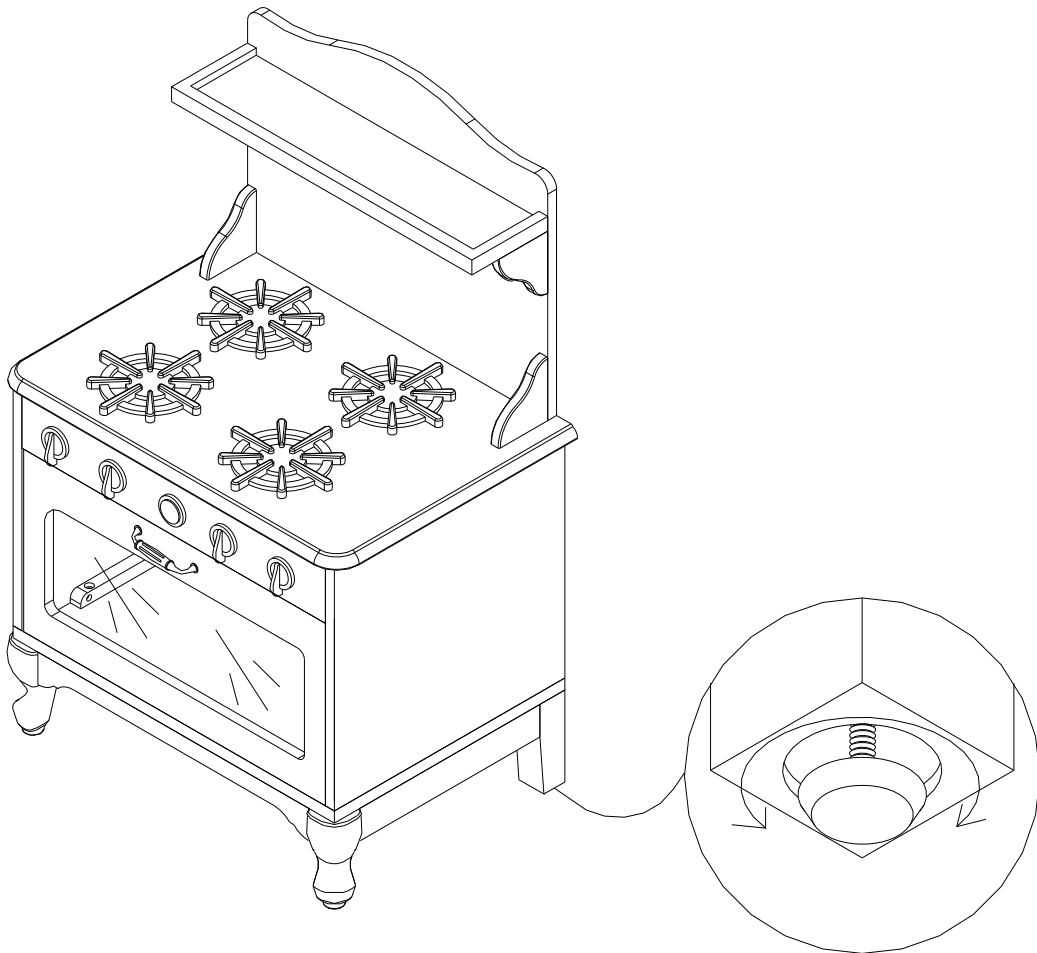
18. Close the door and check if the door catch can be matched very well. If not, slightly loose the screws of the door catch female on left side panel, adjust it to be matched as shown, and then tighten up the screws.



Adjusting the levelers:

Due to an uneven floor, the furniture may not sit level due causing it to wobble. If the furniture wobbles, determine which corner does not touch the ground correctly. With two people follow these steps:

1. Carefully elevate the item slightly to provide access to the levelers attached to the bottom.
2. Turn the levelers until adequate contact will be made with the floor. Gently set down the piece and check stability.
3. Repeat steps until furniture sits firmly on the ground.



Care Instructions:

- Dust often using a clean, soft, dry and lint-free cloth.
- Blot spills immediately and wipe with a clean, damp, cloth.
- We do not recommend the use of chemical cleansers, abrasives or furniture polish on our lacquered finish.
- Hardware may loosen over time. Periodically check to make sure all connections are tight. Re-tighten if necessary.

Thank you for your purchase
Stores | catalog