

pottery barn kids

CAMERON WALL SYSTEM CUBBY

IMPORTANT SAFETY INSTRUCTIONS:

Please read all instructions carefully before assembling.
For your safety, assembly by two people is recommended.

PARTS INCLUDED:

- (1) Top Panel (A)
- (1) Bottom Panel (B)
- (1) Long Shelf Panel (C)
- (1) Short Shelf Panel (D)
- (2) Side Boards (E)
- (1) Back Panel (F)

HARDWARE ENCLOSED:

- (1) Allen Key (G)
- (8) 1/4" x 30mm Allen Bolt (H)
- (8) 1/4" Spring Washer (I)
- (8) 1/4" Flat Washer (J)
- (2) Connecting Bracket (K)
- (14) Screws (L)
- (1) Square Connecting Bracket (S)
- (4) 5/32" x 12mm Wooden Screws (T)

TIP KIT PARTS:

- (1) Plastic Restraint (M)
- (2) Plastic Wall Brackets (N)
- (2) Long Screws (O)
- (2) Short Screws (P)

PRE-ASSEMBLY:

- Remove all parts and hardware from the box and lay out on a clear, carpeted or scratch-free work surface. (The shipping box provides an ideal work surface), this will avoid damaging any parts during assembly. Do not dispose of any contents until assembly is completed to avoid accidentally discarding small parts or hardware.
- Use the parts and hardware lists above to identify and separate each of the pieces included.
- The illustrations provided allow for easier assembly when used in conjunction with the assembly instructions.
- Note: Do not fully tighten all bolts until all parts are in place. Failure to follow these instructions may cause the bolts to misalign during assembly.
- If using power tools to aid in assembly please use caution. Power tools can damage hardware or split wood.

ASSEMBLY INSTRUCTIONS:

1. Carefully cross Long Shelf Panel (C) with Short Shelf Panel (D) as shown. It is very important for later assembly to make sure Long Shelf Panel runs vertically as shown in Step #1
2. Attach (2) Side Boards to already assembled Shelf Panels.
3. Slide the Back Panel (F) into the slots on the backside of the Side Boards. Attach the Bottom Panel (B) as shown using (4) Allen Bolts, Flat Washers & Spring Washers. Note: The correct order for the washers to go on the Allen Bolt is: Spring Washer first, Flat Washer second. Please see diagram
4. Set the Top Panel (A) on the already assembled pieces. Attach with remaining (4) Allen Bolts, Flat Washers & Spring Washers.
5. If connecting Cubby piece to Base piece use (12) Screws (L) and (2) Connecting Brackets (K) as shown. Screws are self-drilling and are designed to go into wood easily. (Remaining (2) Screws are for the Tip Kit, which has separate instructions).
6. If connecting Cubby piece to Cubby piece use (4) screws (T) and (1) Square Connecting Bracket (S) as shown. Screws are self-drilling and are designed to go into wood easily.

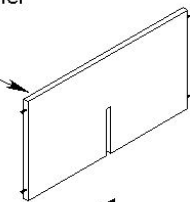
CARE INSTRUCTIONS:

- Dust with a clean, soft cloth.
- Avoid the use of chemicals and harsh cleaning agents.
- Do not climb on the Cubby.

Thank you for your purchase.

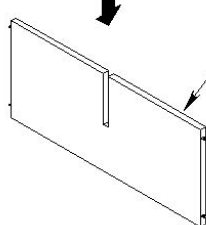
Short shelf panel

D



Long shelf panel

C

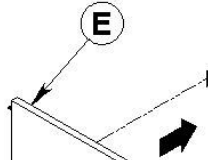


Long shelf panel

C

Side board

E



Side board

E

D

Short shelf panel

Flush

Flat washer

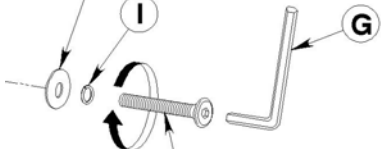
J

Spring washer

I

Allen key

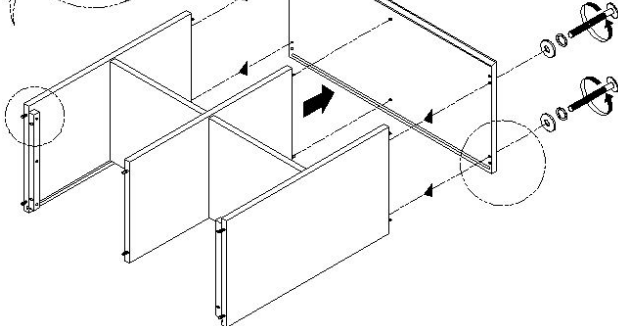
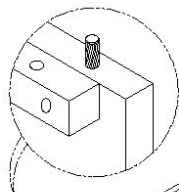
G



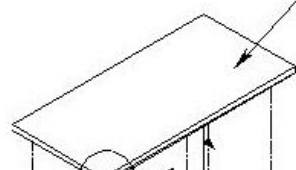
H Bolt

Bottom panel

B

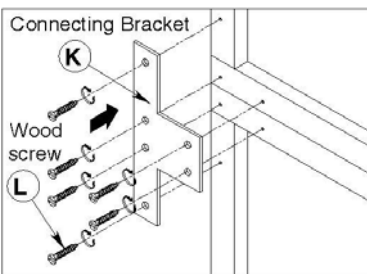
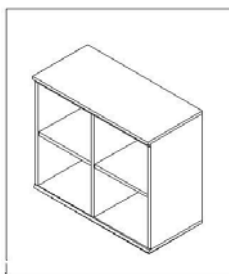
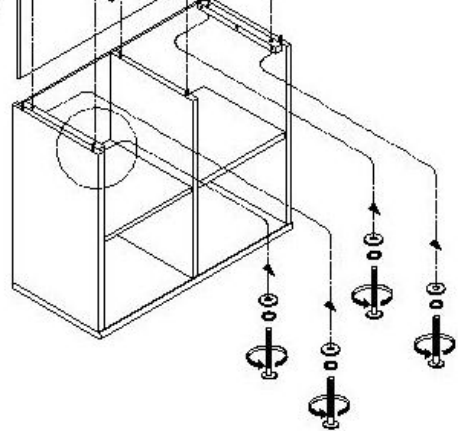
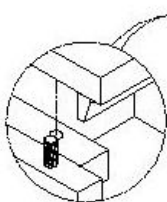


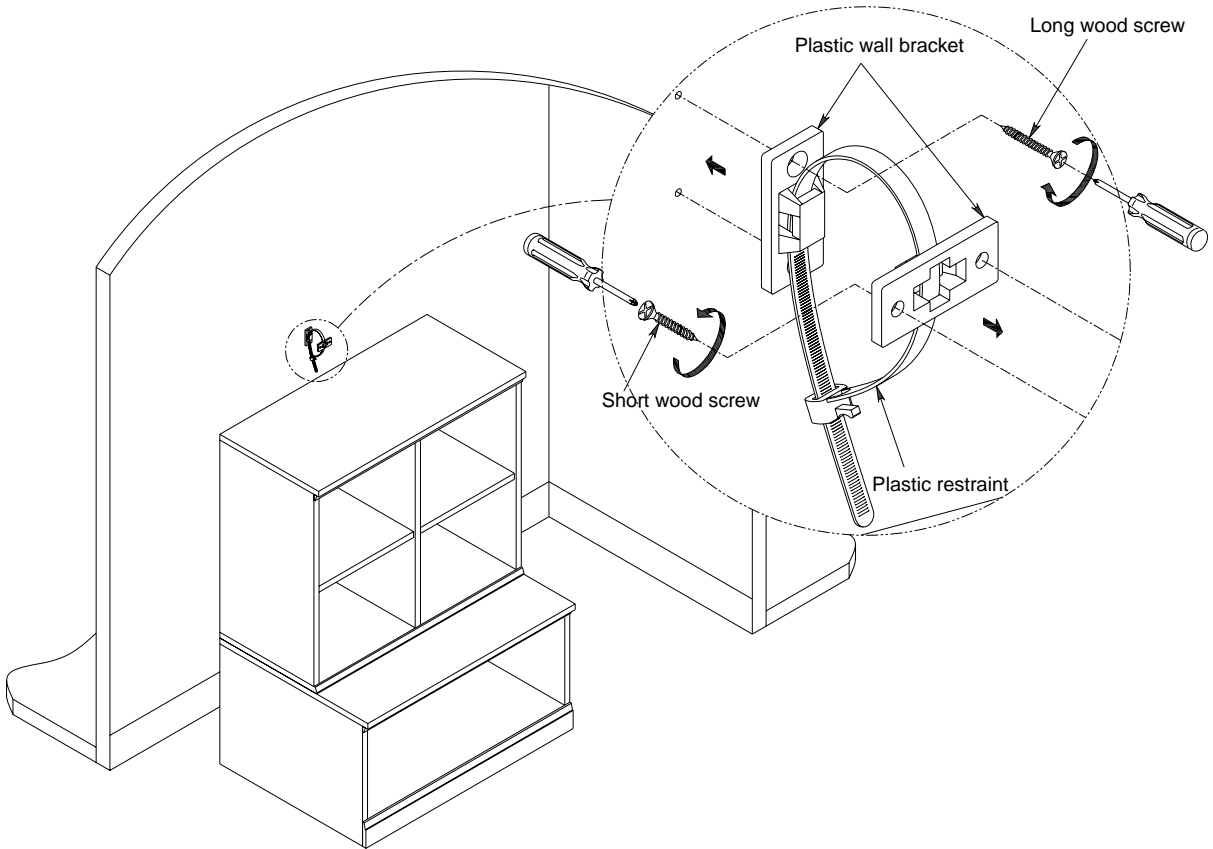
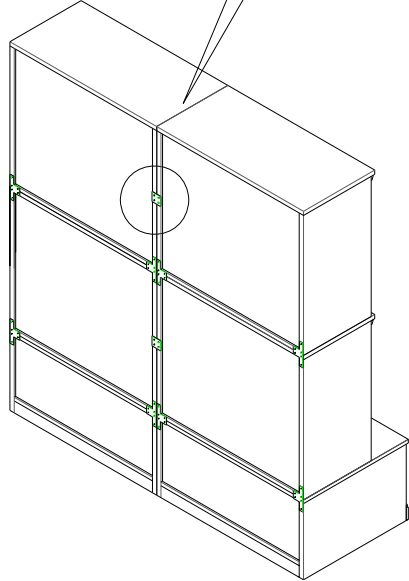
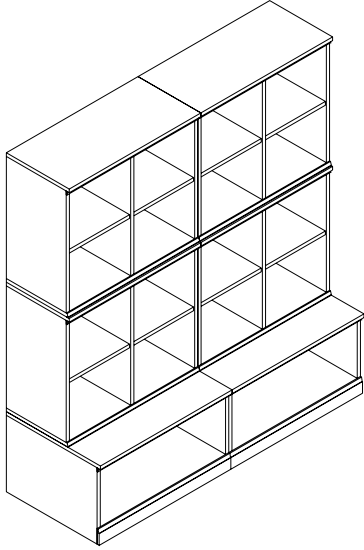
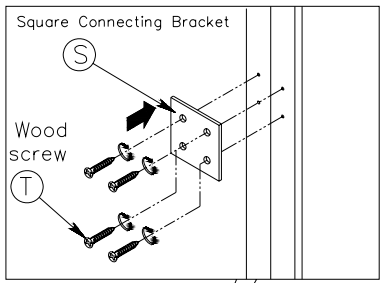
A Top panel



Back panel

F





pottery barn kids

CAMERON WALL SYSTEM BASE

IMPORTANT SAFETY INSTRUCTIONS:

Please read all instructions carefully before assembling.
For your safety, assembly by two people is recommended.

PARTS INCLUDED:

- (1) Top Panel (A)
- (1) Bottom Panel (B)
- (2) Outer Side Board (C)
- (1) Back Panel (D)

HARDWARE ENCLOSED:

- (1) Allen Key (E)
- (8) 1/4" x 30mm Allen Bolts (F)
- (8) 1/4" Spring Washer (G)
- (8) 1/4" Flat Washer (H)

TOOLS REQUIRED FOR ASSEMBLY:

- (1) Allen wrench, included (E)

PRE-ASSEMBLY:

- Remove all parts and hardware from the box and lay out on a clear carpeted or scratch-free work surface. (The shipping box provides an ideal work surface), this will avoid damaging any parts during assembly. Do not dispose of any contents until assembly is completed to avoid accidentally discarding small parts or hardware.
- Use the parts and hardware lists above to identify and separate each of the pieces included.
- The illustrations provided allow for easier assembly when used in conjunction with the assembly instructions.
- Note: Do not fully tighten all bolts until all parts are in place. Failure to follow these instructions may cause the bolts to misalign during assembly.
- If using power tools to aid in assembly please use caution. Power tools can damage hardware or split wood.

ASSEMBLY INSTRUCTIONS:

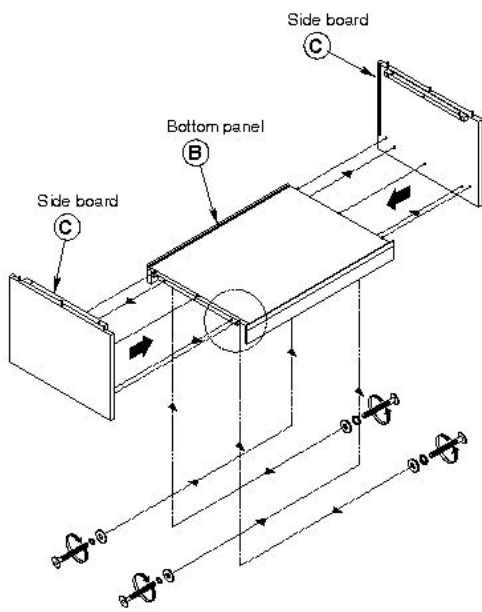
1. Carefully attach the (2) Side Boards (C) to the Bottom Panel (B) using (4) Allen Bolts, Flat Washers & Spring Washers. Note: The correct order for the washers to go on the Allen Bolt is: Spring Washer first, Flat Washer second. Please see diagram.
2. Slide the Back Panel (D) into the slots on the backside of the Side Boards.
3. Set the Top Panel (A) on the already assembled pieces. Attach with remaining (4) Allen Bolts, Flat Washers & Spring Washers.

CARE INSTRUCTIONS:

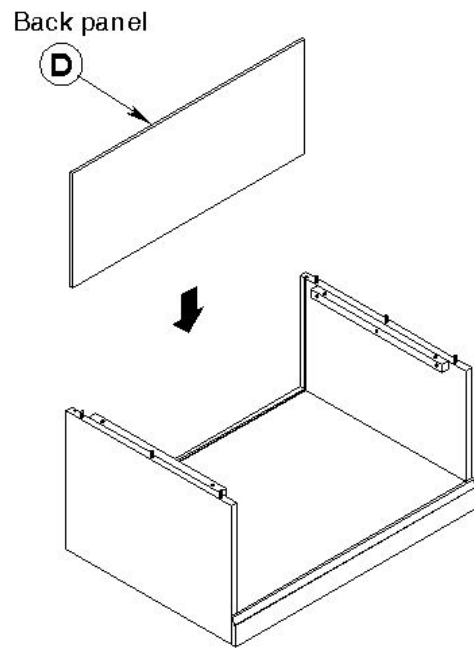
- Dust with a clean, soft cloth.
- Avoid the use of chemicals and harsh cleaning agents.
- Do not stand on the base.

Thank you for your purchase.

1.



2.



3.

