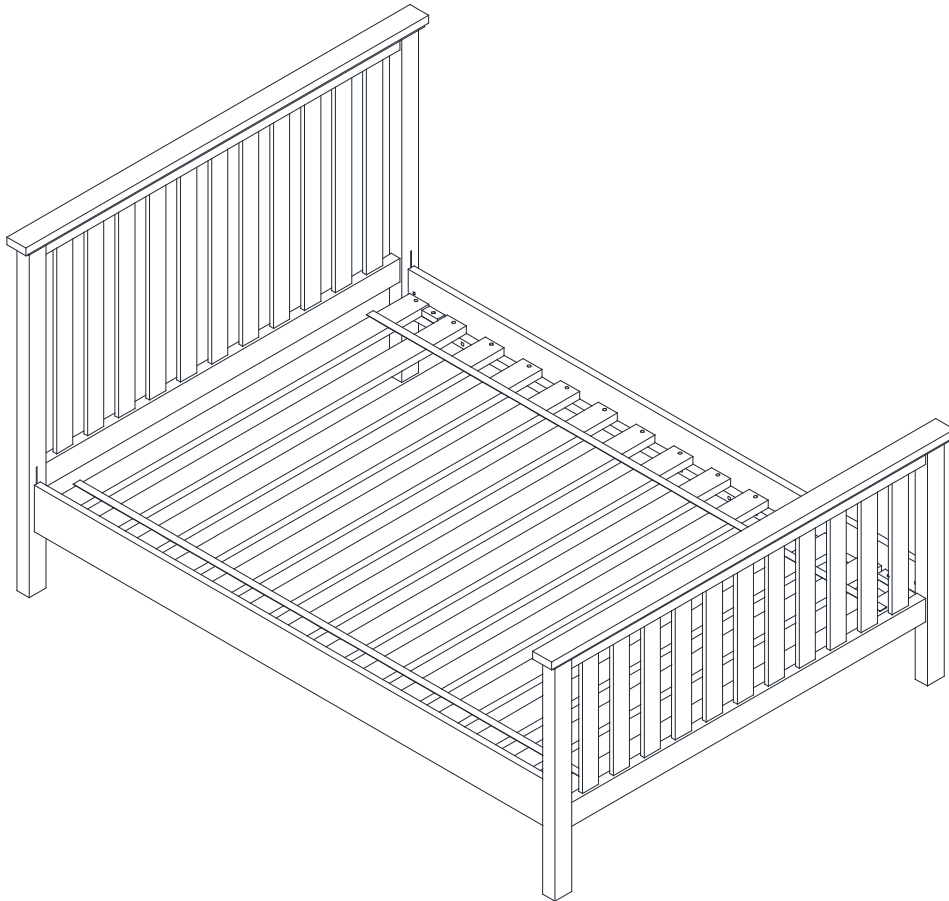


pottery barn kids



Elliot Twin & Full Bed

www.potterybarnkids.com

Important Safety Instructions:

- Please read all instructions carefully before assembling.
- For your safety, assembly by two or more adults is strongly recommended.
- Keep instructions for future use.
- Use only vendor supplied hardware to assemble. Using unauthorized hardware could jeopardize the structural integrity of the item.


Pre-assembly:

- Remove all parts and hardware from the box and lay out on a clear carpeted or scratch-free work surface, as this will avoid damaging parts during assembly. The shipping box provides an ideal work surface.
- Do not dispose of any packaging or contents of the shipping carton until assembly is completed to avoid accidentally discarding small parts or hardware.
- Use the parts and hardware lists below to identify and separate each of the pieces included.
- The illustrations provided allow for easier assembly when used in conjunction with the assembly instructions.
- The use of power tools to aid in assembly is not recommended. Power tools can damage hardware and split wood.

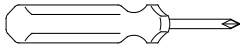
Parts Included:

- (A) Headboard (1x)
- (B) Footboard (1x)
- (C) Side Rail (2x)
- (D) Slat Roll (1x)

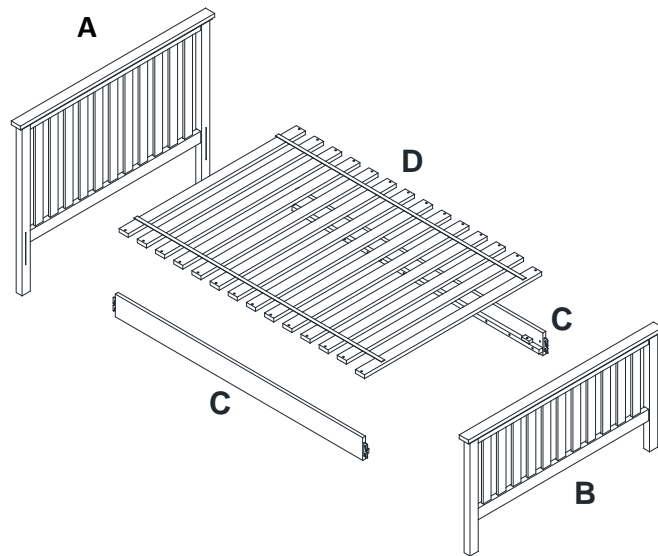
Hardware Included:

- (E) Screw 4x30mm  - 28pcs

Tools Required:



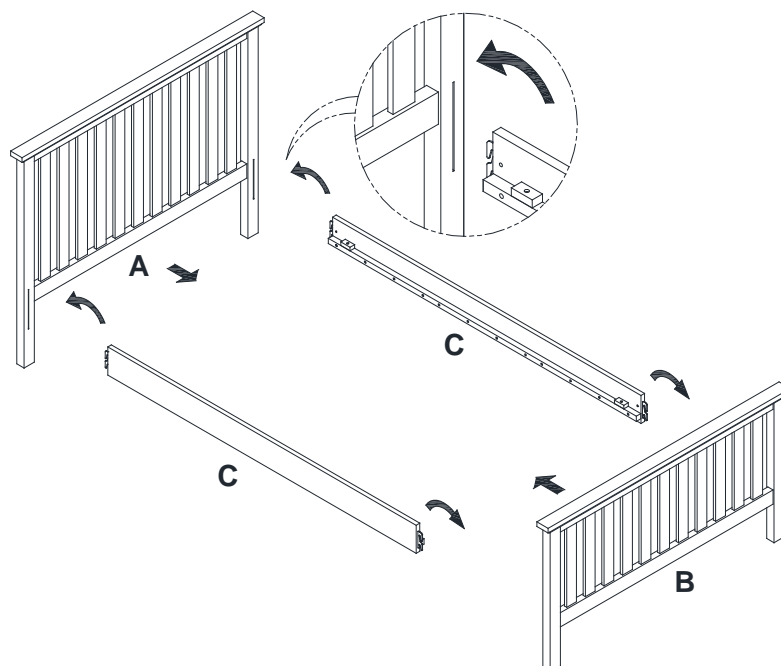
Philips Screwdriver (Not included)



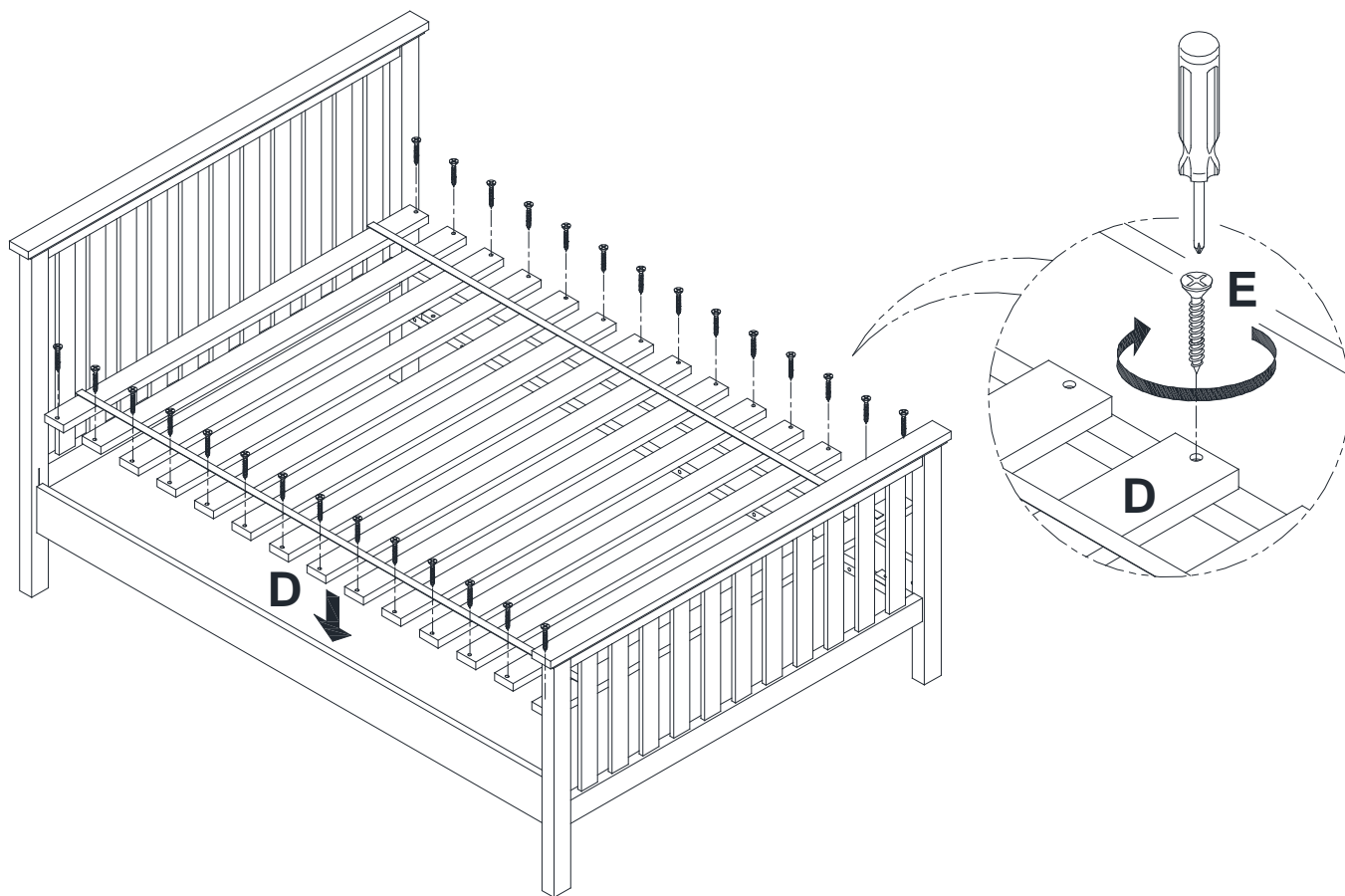
Assembly Instruction Steps:

1. Hold Side Rail (C) up to the slots on the legs of Headboard (A) and insert the hooks of each Side Rail into the slots. Push down firmly on top of the side rails until they slot themselves over the pins inside the legs. Repeat the above procedure for the Footboard (B) and Side Rail assembly.

There are two levels for the Side Rails (C). If you plan to use a trundle, please use the higher setting.



2. Place Slat Roll (D) on the assembled bed platform with the counter sunk holes facing up. Use (28x) Screws (E) to fasten the Slat Roll to Side Rails, as seen in the illustration below.



Care Instructions:

- Dust often using a clean, soft, dry and lint-free cloth.
- Blot spills immediately and wipe with a clean, damp, cloth.
- We do not recommend the use of chemical cleansers, abrasives or furniture polish on our lacquered finish.
- Hardware may loosen over time. Periodically check to make sure all connections are tight. Re-tighten if necessary.

Thank you for your purchase
Stores | catalog | www.potterybarnkids.com
USA 1.800.290.8181