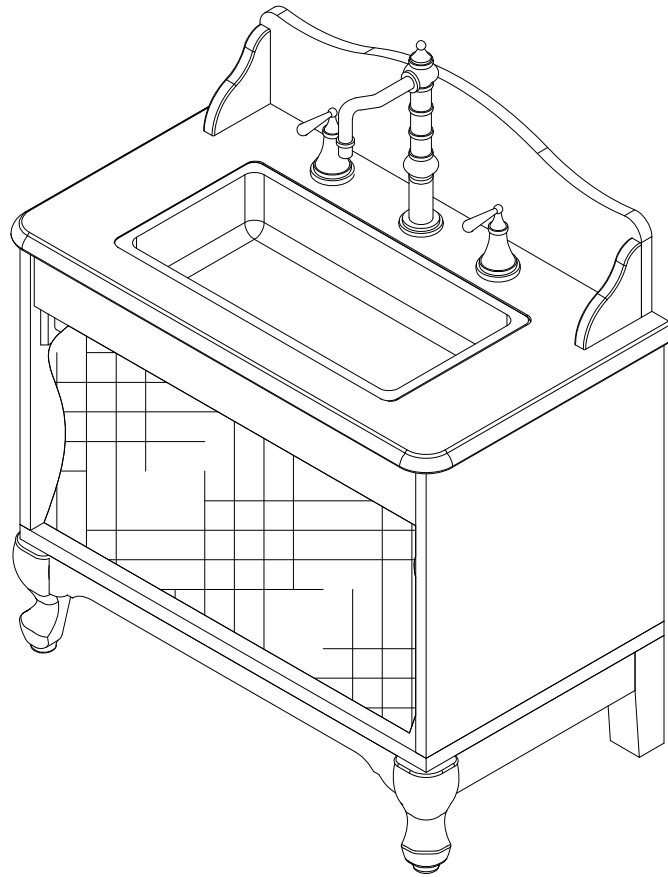


# pottery barn kids



## **FARMHOUSE KITCHEN SINK**

**Important Safety Instructions:**

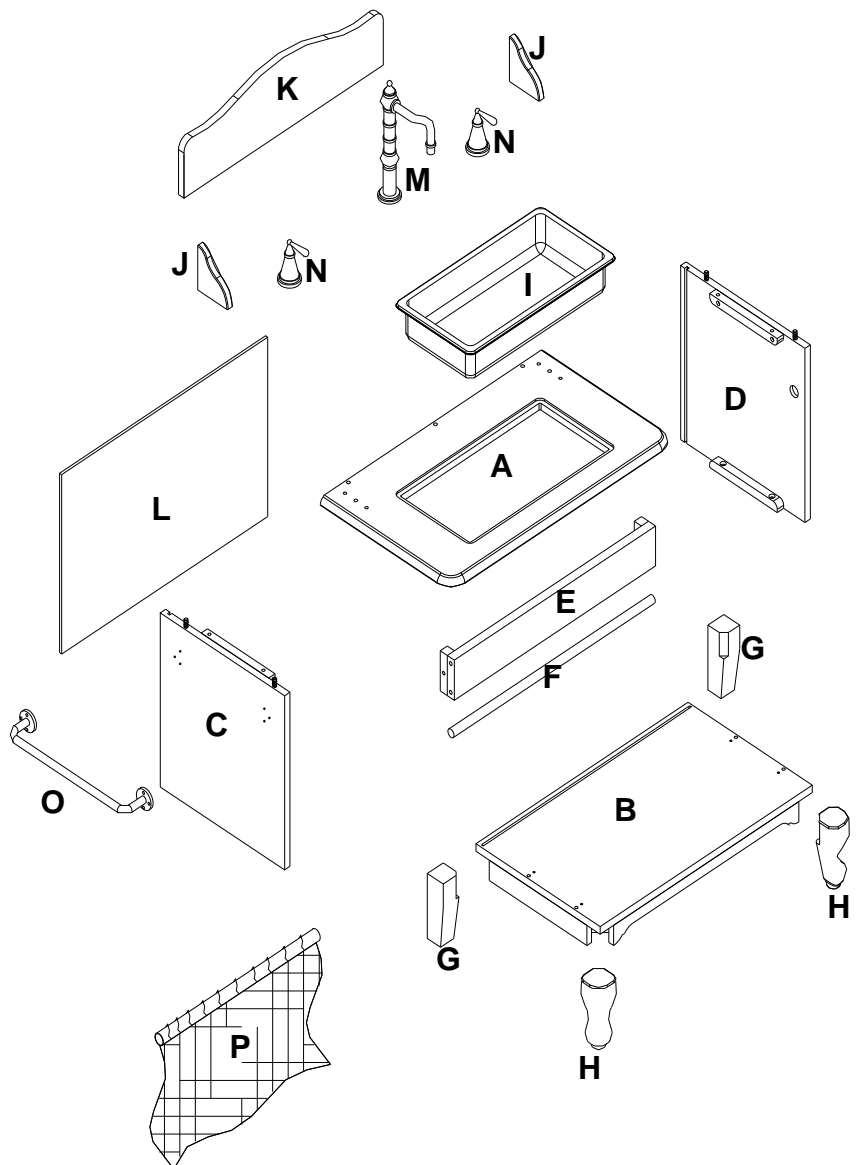
- Please read all instructions carefully before assembling.
- For your safety, assembly by two or more adults is strongly recommended.
- Keep instructions for future use.
- Use only vendor supplied hardware to assemble. Using unauthorized hardware could jeopardize the structural integrity of the item.
- **CAUTION:** This item contains small parts that have sharp points and edges in the unassembled state. Care should be taken when unpacking and assembling this item. Not recommended for children under 3 years of age.

**Pre-assembly:**



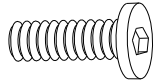
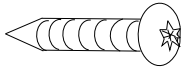
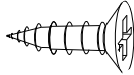
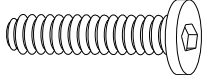
- Remove all parts and hardware from the box and lay out on a clear carpeted or scratch-free work surface, as this will avoid damaging parts during assembly. The shipping box provides an ideal work surface.
- Do not dispose of any packaging or contents of the shipping carton until assembly is completed to avoid accidentally discarding small parts or hardware.
- Use the parts and hardware lists below to identify and separate each of the pieces included.
- The use of power tools to aid in assembly is not recommended. Power tools can damage hardware and split wood.
- The illustrations provided allow for easier assembly when used in conjunction with the assembly instructions. It may take 1.5 hour or more to assembly your Farmhouse Kitchen Sink.

**Parts Included:**

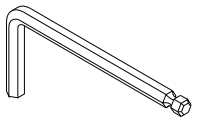
(A)	Top Panel	1x
(B)	Bottom Panel	1x
(C)	Left Side Panel	1x
(D)	Right Side Panel	1x
(E)	Front Panel	1x
(F)	Curtain Rail	1x
(G)	Rear Leg	2x
(H)	Front Leg	2x
(I)	Sink	1x
(J)	Apron	1x
(K)	Back Top	1x
(L)	Back Panel	1x
(M)	Faucet	1x
(N)	Valve	1x
(O)	Towel Rack	1x
(P)	Curtain	1x



**Hardware Included:**

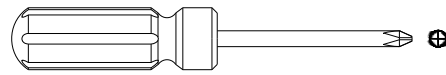
<p>(Q) Flat Washer</p>  <p>26x</p>	<p>(R) Spring Washer</p>  <p>26x</p>	<p>(S) Bolt</p>  <p>Dia. 1/4" x 1"</p> <p>18x</p>
<p>(T) Screw</p>  <p>25mm</p> <p>10x</p>	<p>(U) Screw</p>  <p>12mm</p> <p>6x</p>	<p>(V) Bolt</p>  <p>Dia. 1/4" x 1-1/2"</p> <p>8x</p>

**Tools Required (included):**



Allen Key 4mm

**Tools Required (not included):**

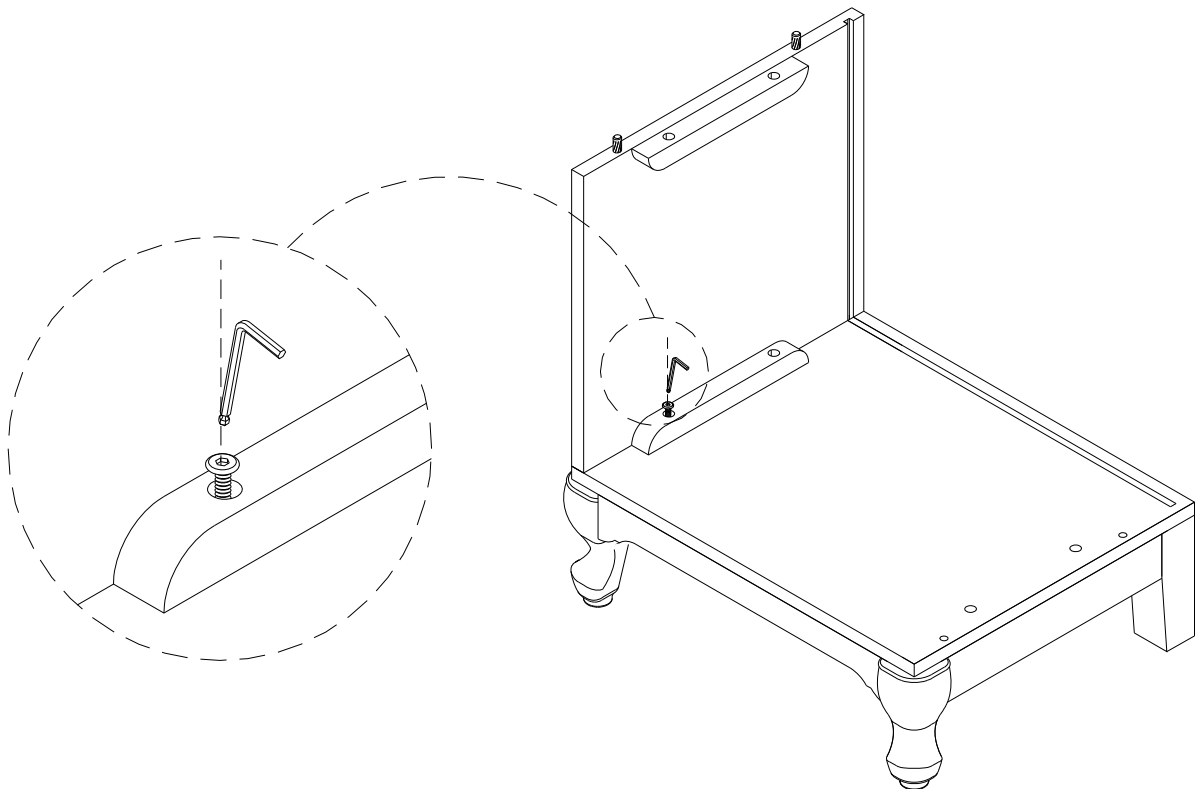


Phillips Head Screwdriver



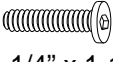
**Assembly Instruction Steps:**

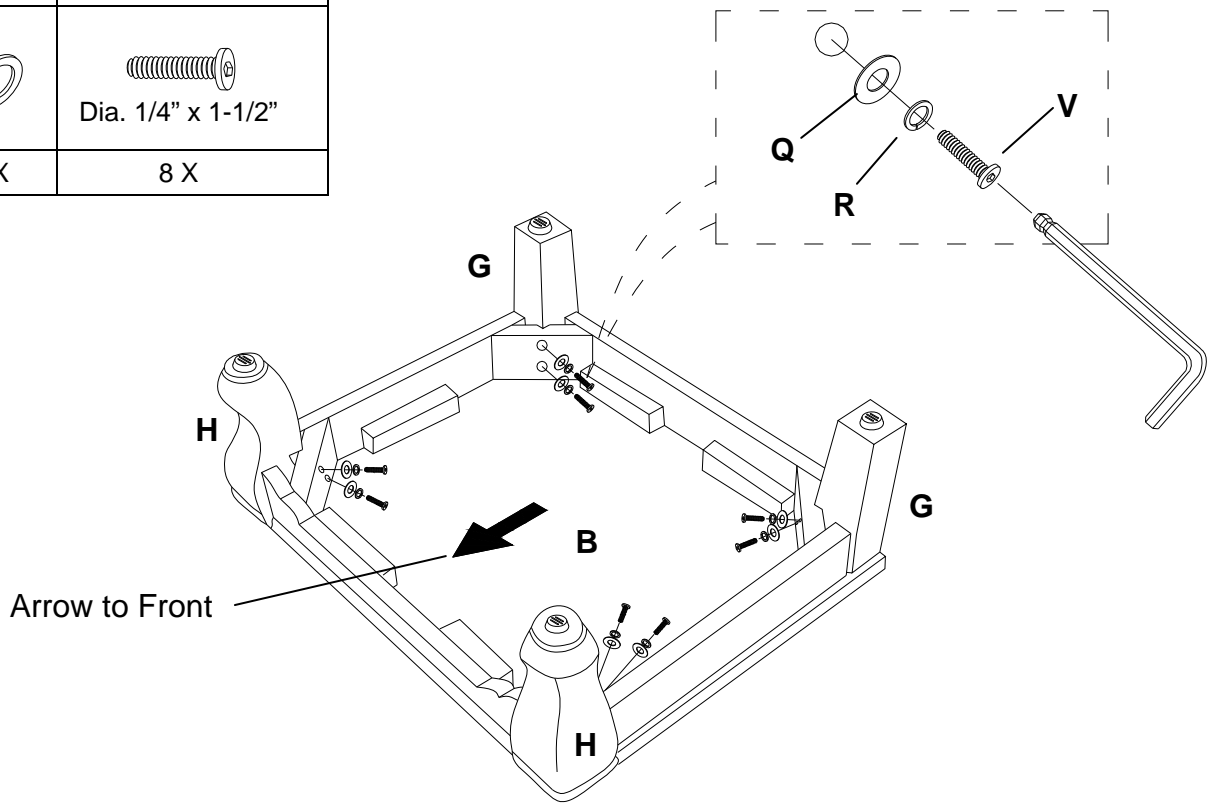
**NOTE:**

- To follow the direction and position of illustrations could avoid wrong assembly.
- Use the ball-head side of the Allen wrench to tighten the bolt. Slightly incline the Allen key could avoid scratch.






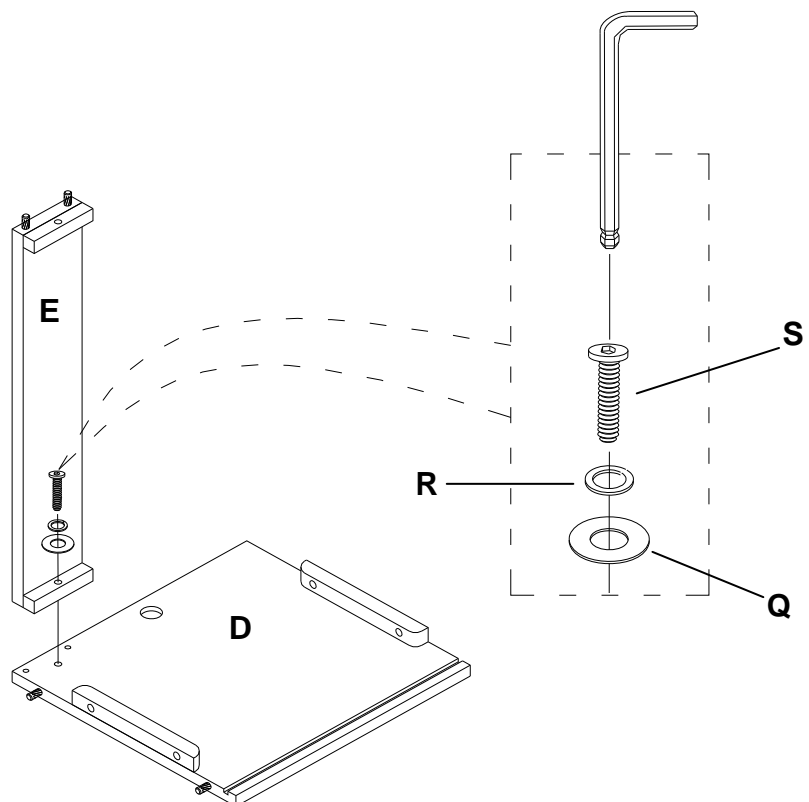
1. Attach Legs (G and H) to Bottom Panel (B) using Bolt (V), Spring Washer (R) and Flat Washer (Q). Loosely tighten the bolts, and then tighten with Allen Key.

Q	R	V
		 Dia. 1/4" x 1-1/2"
8 X	8 X	8 X






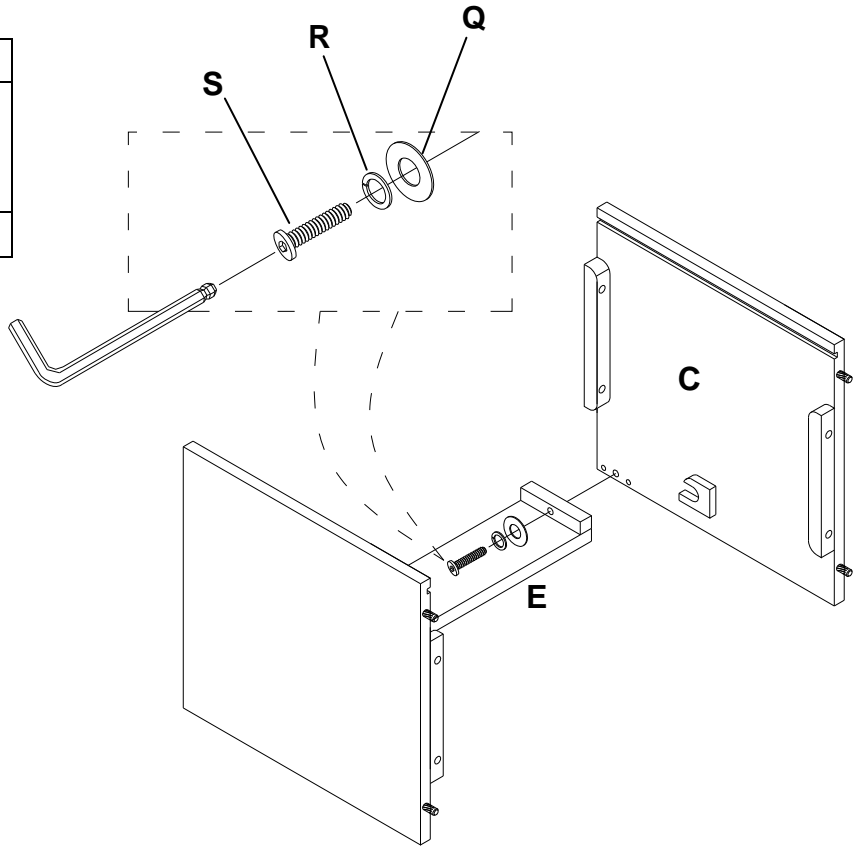
2. Attach Front Panel (E) to the Right Side Panel (D) using the Bolt (S), Spring Washer (R) and Flat Washer (Q). Loosely tighten the bolts, and then tighten with Allen Key.

Q	R	S
		 Dia. 1/4" x 1"
1 X	1 X	1 X



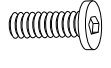


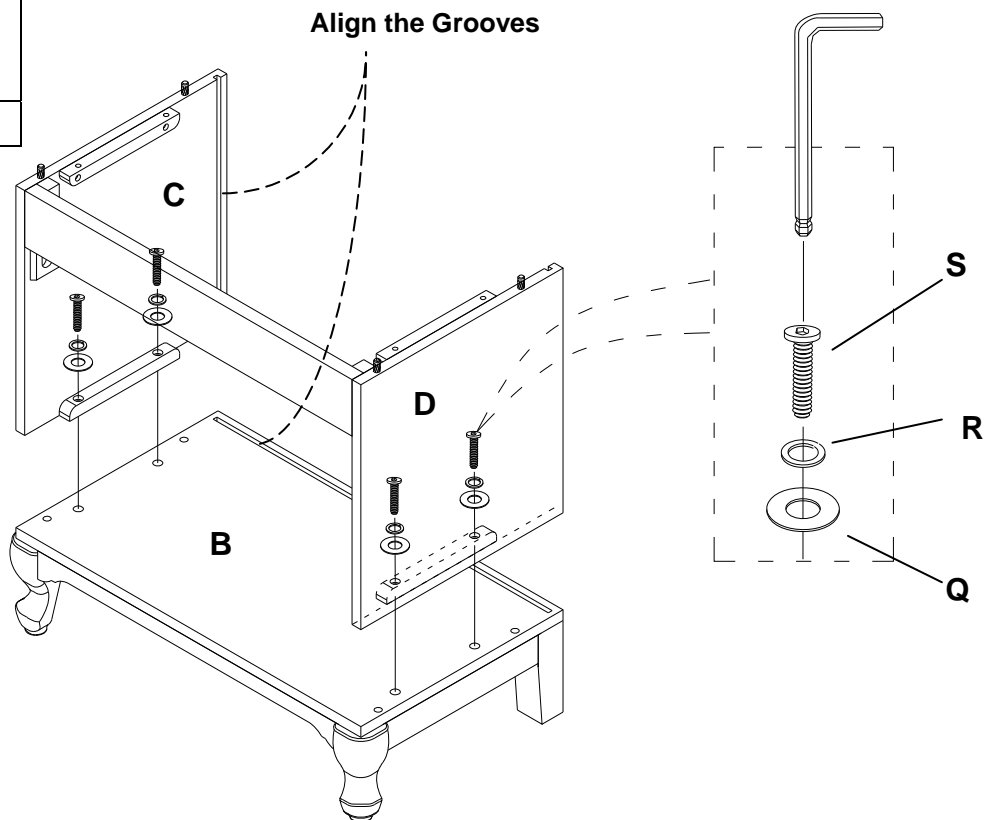
3. Attach Left Side Panel (C) to Front Panel (E) using Bolt (S), Spring Washer (R) and Flat Washer (Q). Loosely tighten the bolts, and then tighten with Allen Key.

Q	R	S
		 Dia. 1/4" x 1"
1X	1X	1X

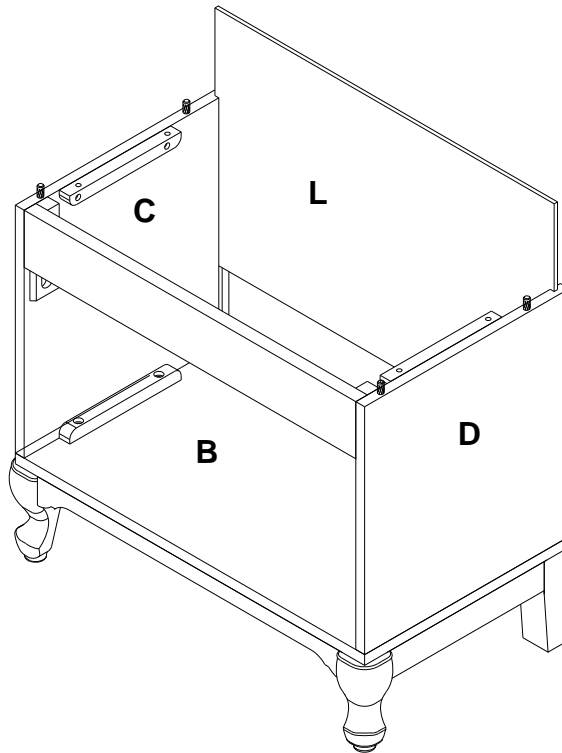


4. Attach assembly in step 3 to assembly in step 1 using Bolt (S), Spring Washer (R) and Flat Washer (Q). Loosely tighten the bolts, and then tighten with Allen Key.

Q	R	S
		 Dia. 1/4" x 1"
4X	4X	4X

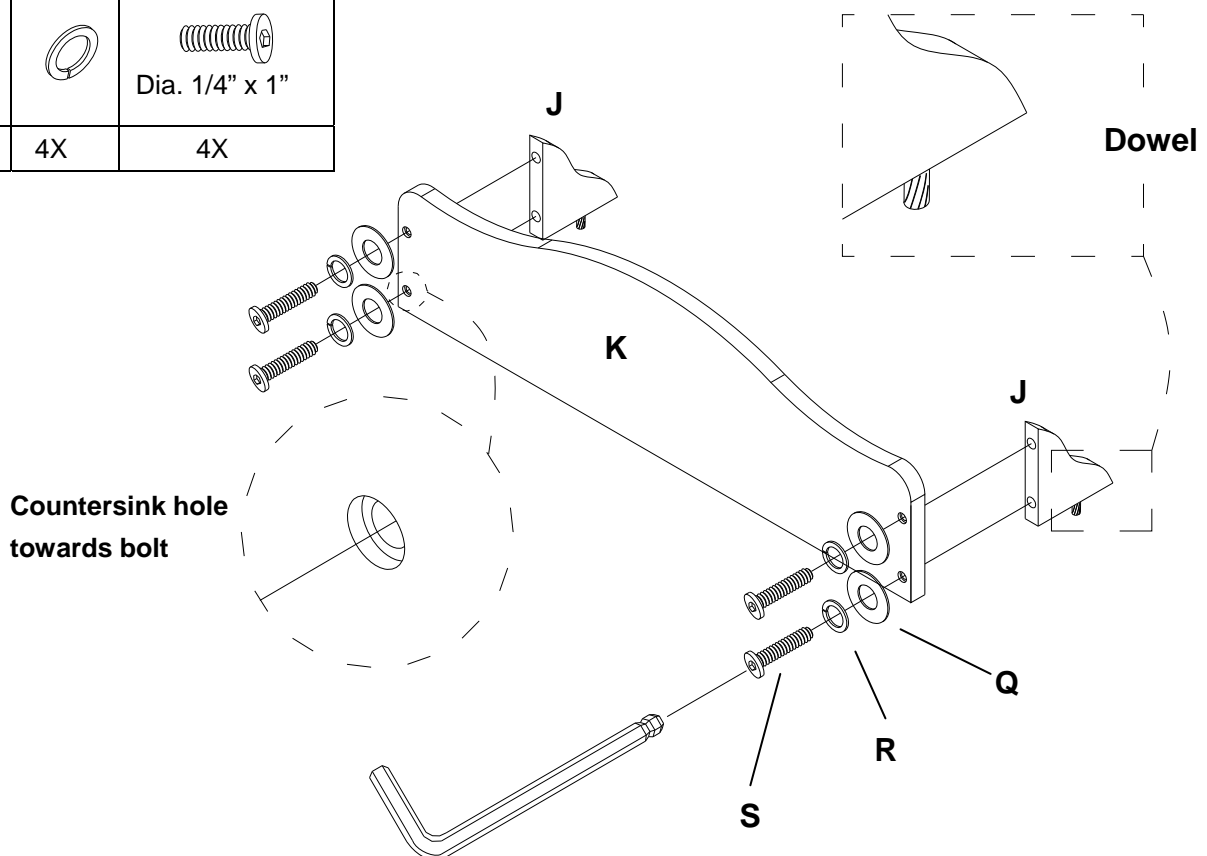


5. Slide Back Panel (L) into grooves on Side Panels (D and C) and Bottom (B) as shown.



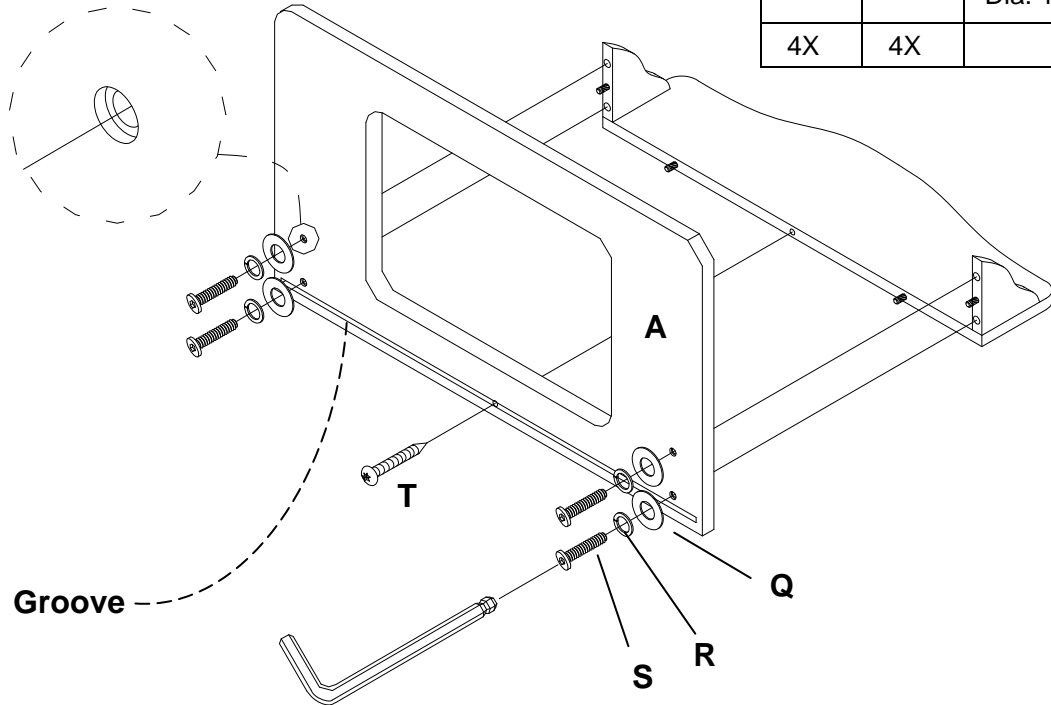
6. Attach Apron (J) to Back Top (K) using Bolt (S), Spring Washer (R) and Flat Washer (Q). Loosely tighten the bolts, and then tighten with Allen Key.

Q	R	S
		 Dia. 1/4" x 1"
4 X	4X	4X



7. Attach assembly in step 6 to Top Panel (A) using Bolt (S) and Spring Washer (R) and Flat Washer (Q). Loosely tighten the bolts, and then tighten with Allen Key. Secure Back top using Screw (T) with Phillips Head Screwdriver.

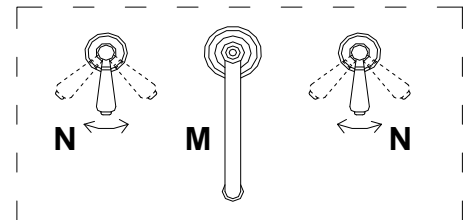
Countersink hole towards bolt



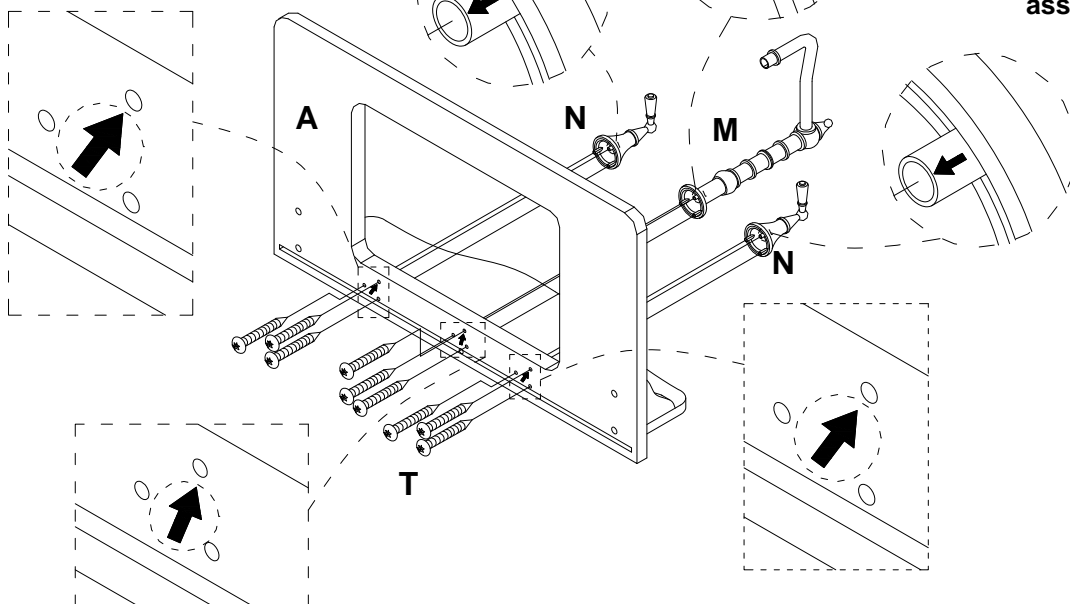
Q	R	S	T
		 Dia. 1/4" x 1"	 25mm
4X	4X	4X	1 X

8. Attach Faucet (M) and Valve (N) to Top Panel (A) using Screws (T) with Phillips Head Screwdriver.  
**NOTE:** Align the arrow on valve with the arrow on top panel, and secure with screws.

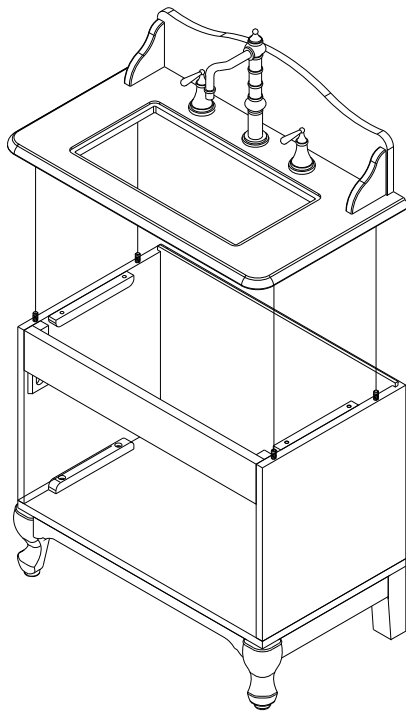
T
25mm
9 X



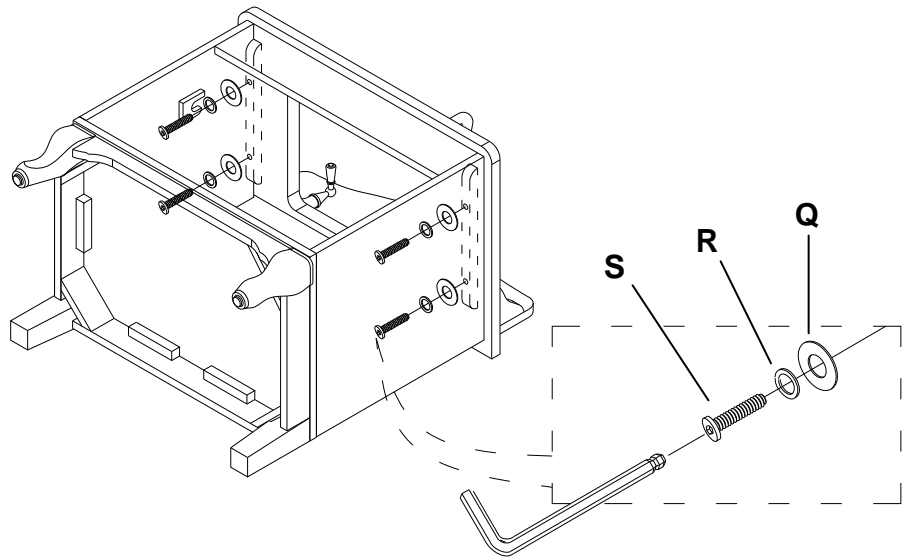
The direction of rotation of assembled Valves



9. Attach assembly in step 8 to assembly in step 5, carefully turn it onto its side lying on ground. Insert Bolts (S), Spring Washer (R) and Flat Washer (Q) as shown. Loosely tighten the bolts, and then tighten with Allen Key.

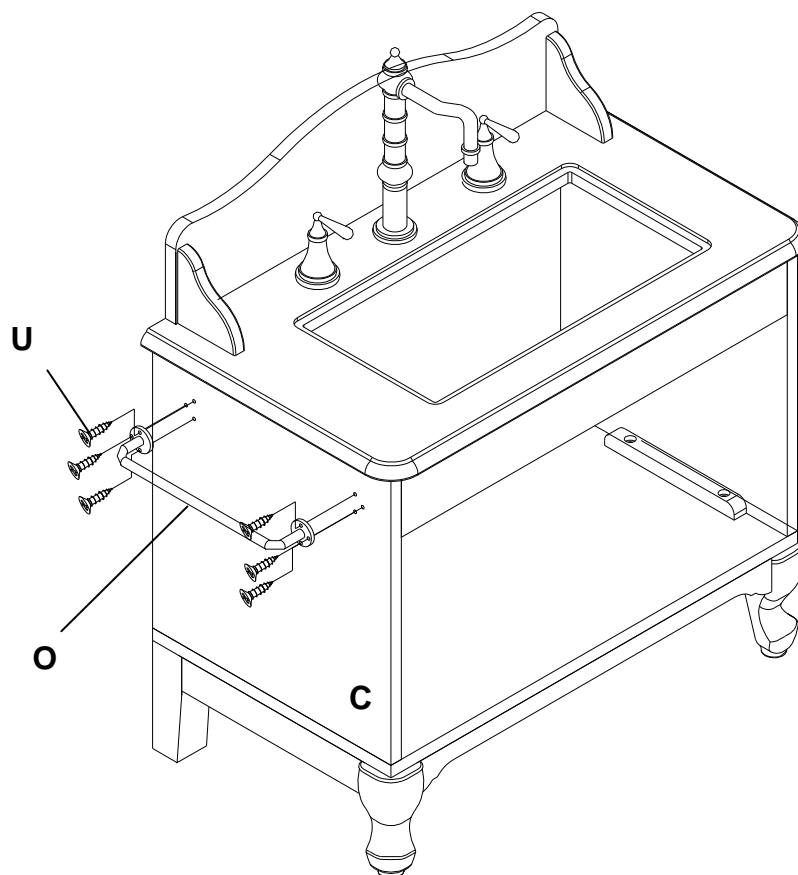


Q	R	S
		 Dia. 1/4"x1"
4 X	4X	4X



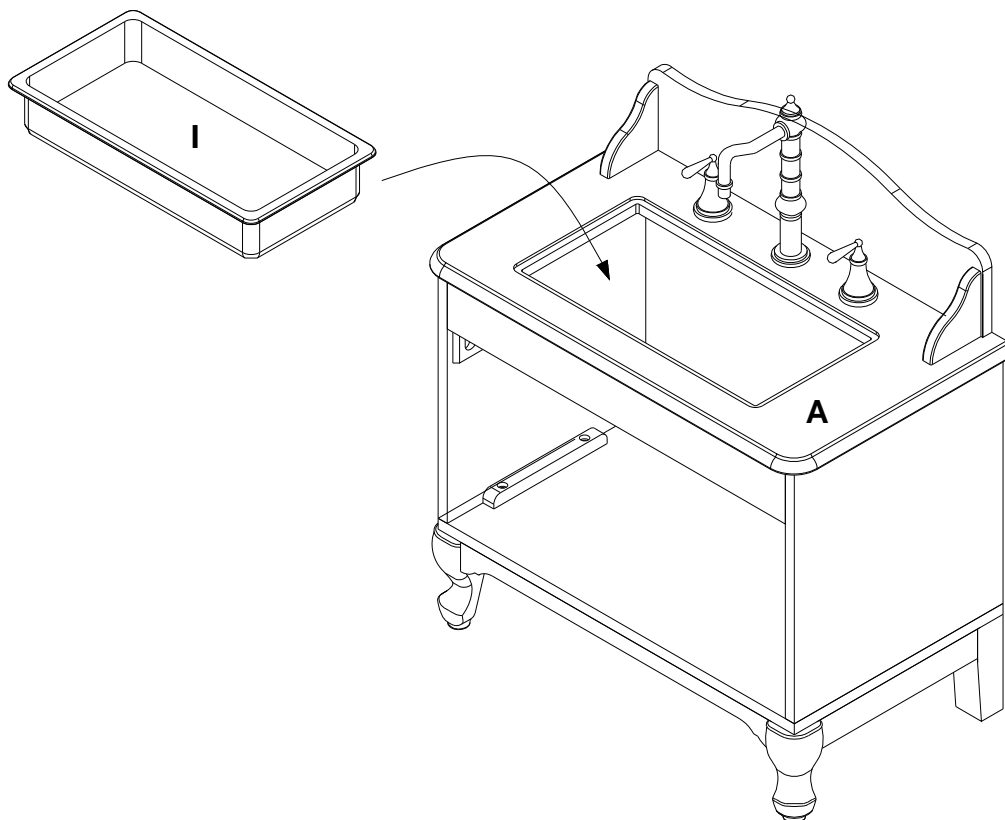
10. Turn the Sink upright. Align the holes on Towel Rack (O) to the pre-drilled holes on Left Side Panel (C), insert Screws (U) and tighten with Phillips Head Screwdriver.

U
12mm
6 X

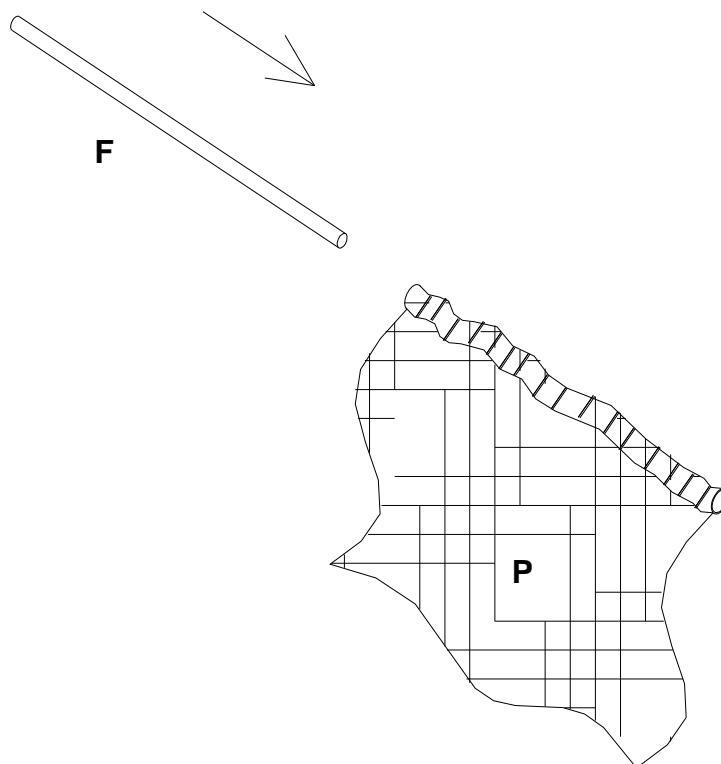




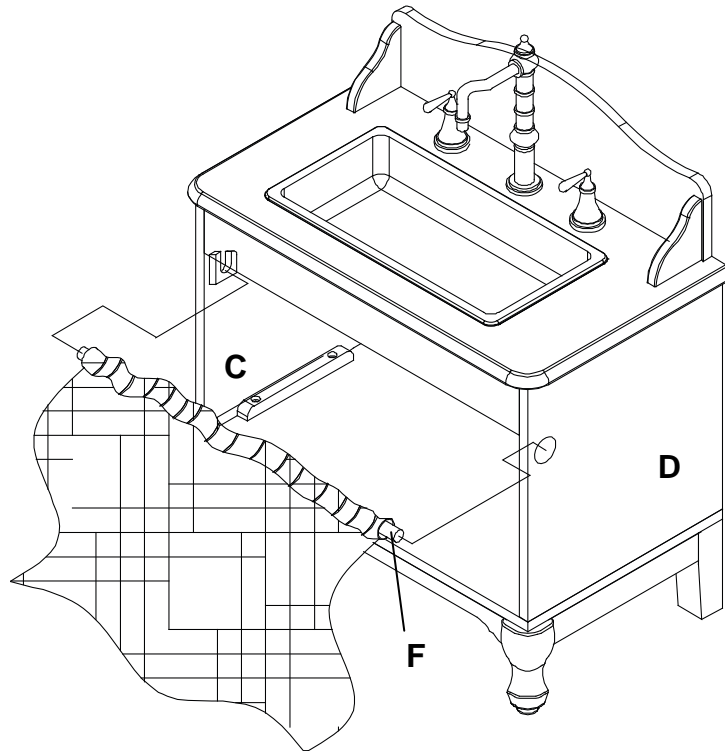
11. Place Sink (I) in cutout on Top Panel (A).



12. Insert the Curtain Rail (F) into the Curtain (P) as shown.



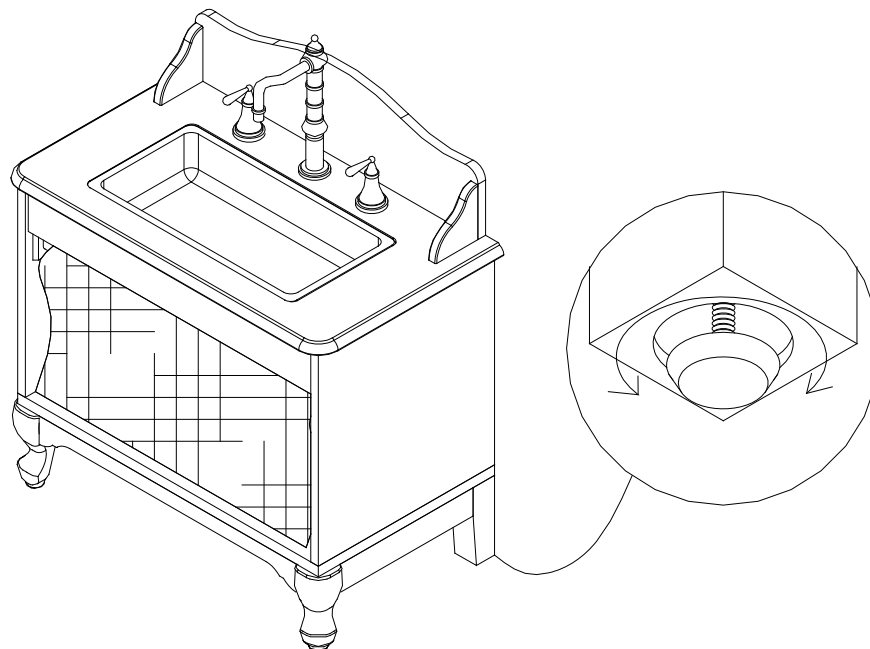
13. Plug one end of Curtain Rail (F) into the hole at Right Side Panel (D), and then put other end onto the notch on Left Side Panel (C).



**Adjusting the levelers:**

Due to an uneven floor, the furniture may not sit level due causing it to wobble. If the furniture wobbles, determine which corner does not touch the ground correctly. With two people follow these steps:

1. Carefully elevate the item slightly to provide access to the levelers attached to the bottom.
2. Turn the levelers until adequate contact will be made with the floor. Gently set down the piece and check stability.
3. Repeat steps until furniture sits firmly on the ground.



**Care Instructions:**

- Dust often using a clean, soft, dry and lint-free cloth.
- Blot spills immediately and wipe with a clean, damp, cloth.
- We do not recommend the use of chemical cleansers, abrasives or furniture polish on our lacquered finish.
- Hardware may loosen over time. Periodically check to make sure all connections are tight. Re-tighten if necessary.

Thank you for your purchase  
Stores | catalog