

pottery barn kids
THOMAS TWIN OVER FULL BUNK BED



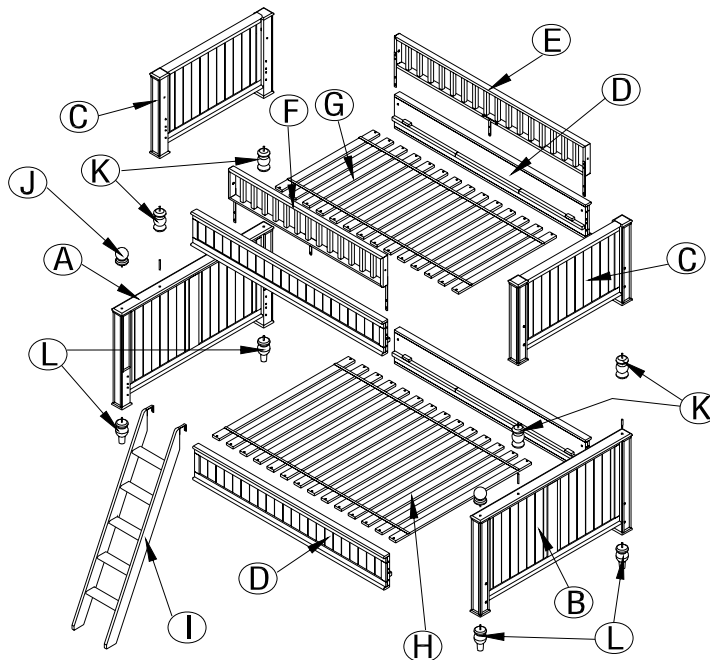
WARNING: Failure to follow these warnings and assembly

instructions could result in serious injury or death. To help prevent serious or fatal injuries from entrapment or falls:

- Read all instructions before assembling bunk bed. **KEEP INSTRUCTIONS FOR FUTURE USE.**
- Before each usage or assembly, inspect bunk bed for damaged hardware, loose joints, missing parts or sharp edges. **DO NOT** use bunk bed if any parts are missing or broken. Telephone or write to Pottery Barn Kids for replacement parts and instructional literature if needed. **DO NOT** substitute parts.
- Follow the information on the warnings appearing on the upper bunk end structure and on the carton. **DO NOT REMOVE WARNING LABEL FROM THE BED.**
- Always use the recommended size mattress or mattress support, or both, to help prevent the likelihood of entrapment or falls.
- Ensure thickness of mattress does not exceed 9" and the surface of the mattress is at least 5" (127 mm) below the upper edge of guardrails.
- Use only mattress which is 74"-75" long and 37.5"-38.5" wide on upper bunk.
- Surface of mattress must be at least 5 inches (127 mm) below the upper edge of the guardrails.
- The use of water or sleep flotation mattress is prohibited.
- Periodically check and ensure that the guardrail, ladder and other components are in their proper position, free from damage, and that all connectors are tight.
- Never allow children under 6 years of age to use the upper bunk.
- Do not allow horseplay on or under the bed and prohibit jumping on the bed.
- Always use the ladder for entering and leaving the upper bunk.
- Use of a night light may provide added safety precautions for a child using the upper bunk.
- Prohibit more than one person on the upper bunk.
- Always use guardrails on both long sides of the upper bunk.
- If the bunk bed will be placed next to a wall, the guardrail that runs the full length of the bed should be placed against the wall to prevent entrapment between the bed and the wall.
- If refinishing, use a non-toxic finish specified for children's products.
- **STRANGULATION HAZARD** – Never attach or hang items to any part of the bunk bed that are not designed for use with the bed; for example, but not limited to, hooks, belts, and jump ropes.

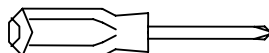
PARTS INCLUDE:

- A – Full End L (lower) (x1)
- B – Full End R (lower) (x1)
- C – Twin End (upper) (x2)
- D – Side rails (x4)
- E – Long Guardrail (x1)
- F – Short Guardrail (x1)
- G – Slat Rolls - Twin Size (x1)
- H – Slat Rolls - Full Size (x1)
- I – Ladder (x1)
- J – Ball Finials (x4)
- K – Middle Finials (x4)
- L – Feet (x8)



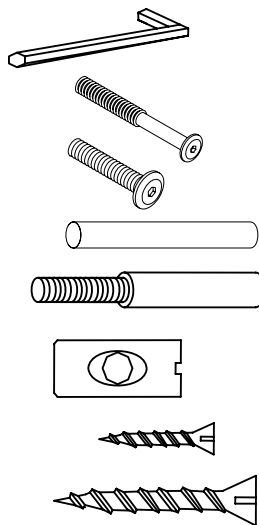
TOOLS REQUIRED:

Phillips head screw driver (not included)



HARDWARE:

- M – Allen Wrench M4 (x1)
- N – Long Bolts M8 x 130mm (x16)
- O – Short Bolts 1/4" x 32mm x 15mm (x3)
- P – Metal Pin 10 mm x 11 mm (x2)
- Q – Threaded Dowel 10 mm x 80 mm (x 4)
- R – Barrel Nuts M8 x 15 mm x12 mm (x16)
- S –Small Phillips Head Screws #8 x 19 mm (x10)
- T –Large Phillips Head Screws #8 x 30 mm (x56)



PRE-ASSEMBLY:

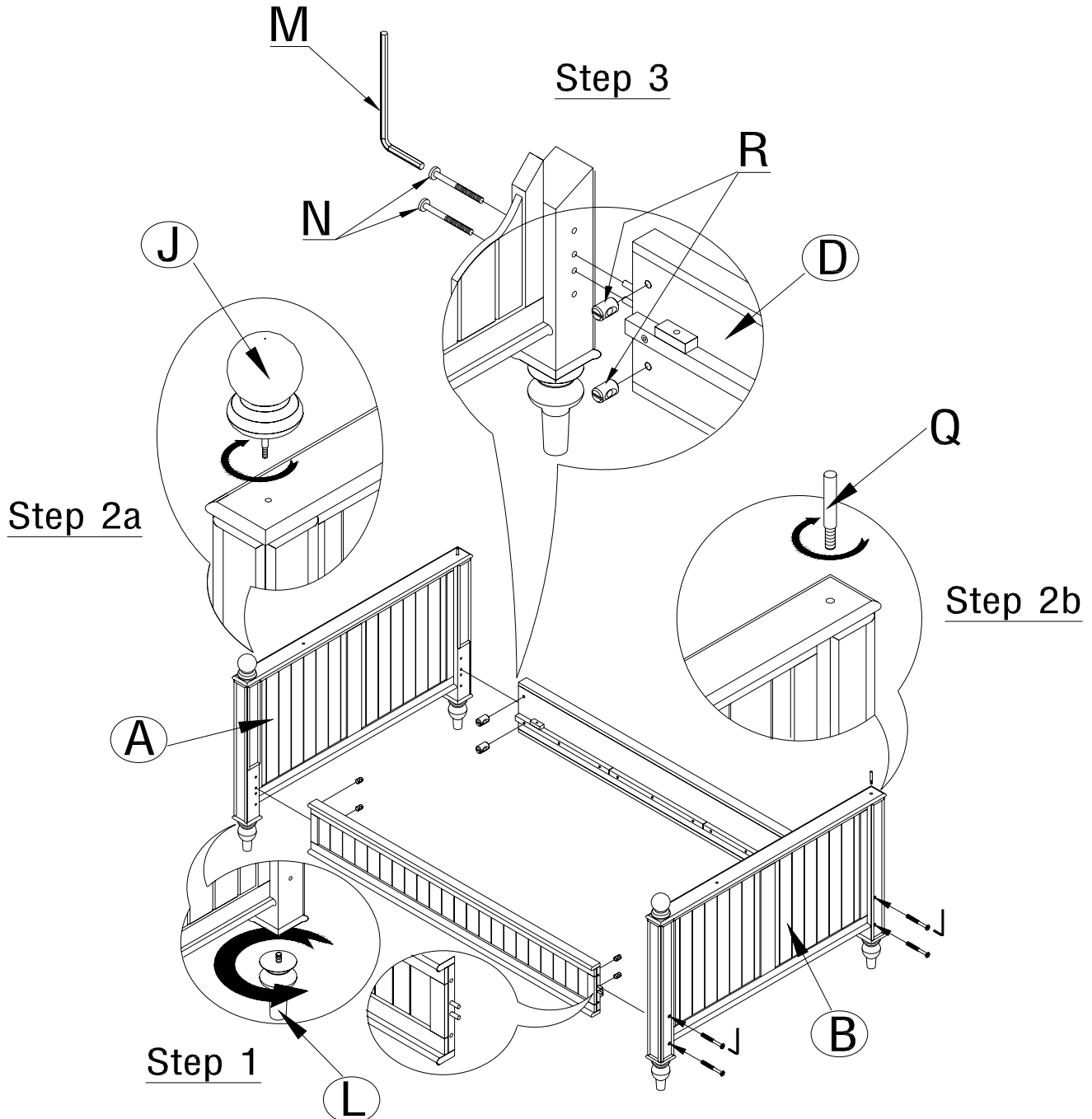
- Read all instructions before beginning assembly. The illustrations provided allow for easier assembly when used in conjunction with the assembly instructions.
- For your safety and ease, assembly by two adults is recommended.
- Remove all parts and hardware from the box and lay out on a clean, carpeted, or scratch-free work surface. Use care as some parts or hardware may have sharp points or edges.
- Do not dispose of any contents until assembly is completed to avoid accidentally discarding small parts or hardware.
- Use the parts and hardware lists to identify and separate each of the pieces included.
- Note: Do not fully tighten all bolts until all parts are in place. Failure to follow these instructions may cause the bolts to misalign during assembly.
- The use of power tools for assembly is not recommended. Power tools can damage hardware or split wood.

ASSEMBLY:

Steps #1 through 3 Assembly of lower (full size) bunk

Assemble lower full size bunk first using the taller and wider end boards (A&B) as both headboard and footboard for the bed.

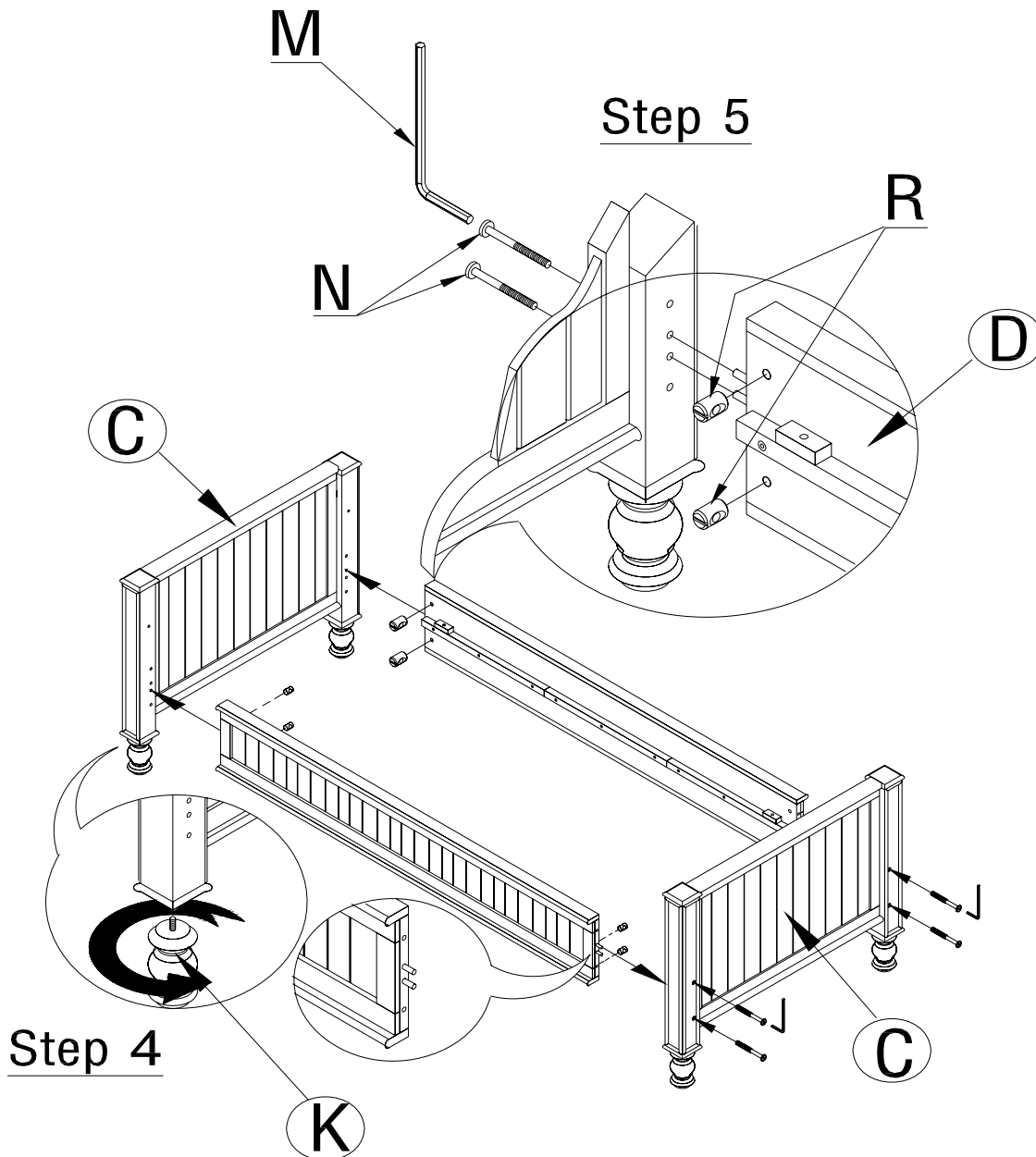
1. Screw in four feet (L) to the lower bunk posts of the Full Ends Left and Right (A&B).
2. Screw the Threaded dowels (Q) into the rear posts of the Full Ends Left and Right (A&B). Secure a Ball Finials (J) into front posts of each Full End Left and Right.
3. Install 2 Barrel Nuts (R) into the holes on one end of Side Rail (D). Insert the Side Rail (D) dowels into middle drilled holes of the Full End Left (A), as shown. Then insert 2 Long Bolts (N) through the Full End Left (A) and into the nuts in the Side Rail (D). Tighten with the Allen Wrench (M). Repeat for other Full End Left post with a second Side Rail (D). Then, repeat to attach the other ends of the two Side Rails (D) to both posts of Full End Right (B).



Steps #4 through 5: Assembly of upper (twin size) bunk

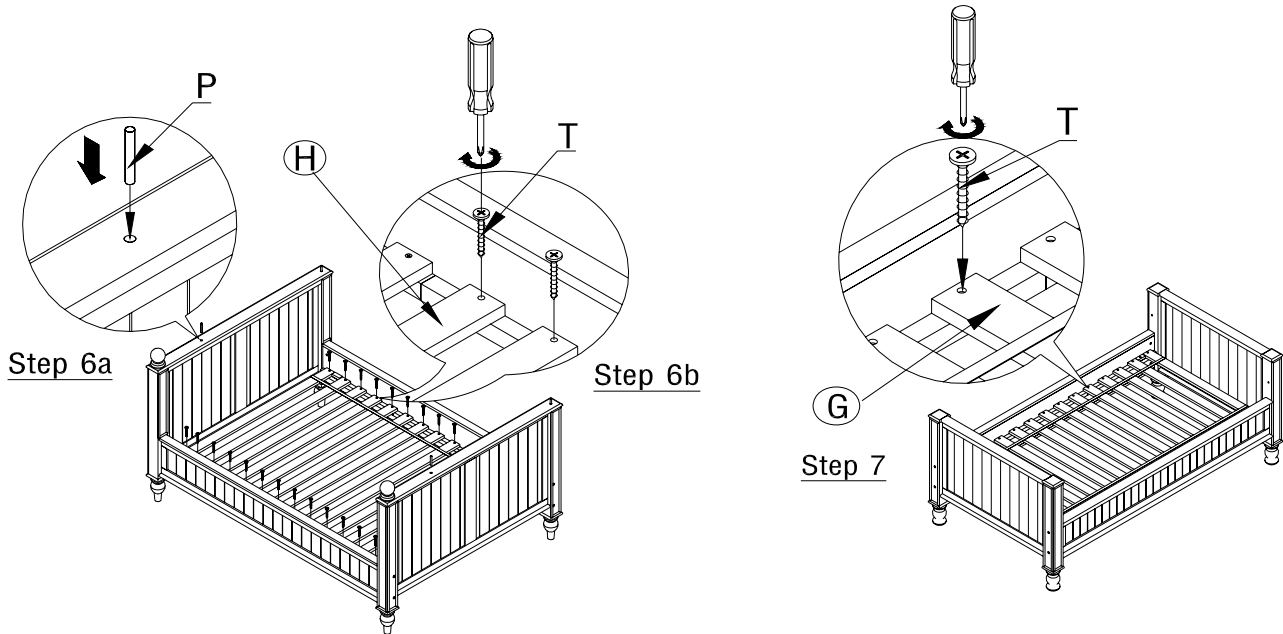
Assemble the top (twin size) bunk next using the shorter, narrower end boards (C) as both headboard and footboard for the bed.

4. Screw in the Middle Finials (K) to the bottom end of the Twin End (C) posts.
5. Insert two Barrel Nuts (R) into each end of one Side Rail (D). Insert the Side Rail (D) dowels into the middle pre-drilled holes of one Twin End (C). Then insert 2 Long Bolts (N) through the Twin End Post (C) and into the nuts in the Side Rail (D). Tighten with the Allen wrench (M) provided. Repeat with the second Side Rail (D) on the other post of that Twin End (C). Then, repeat to attach the other end of the two Side Rails (D) to the second Twin End (C).

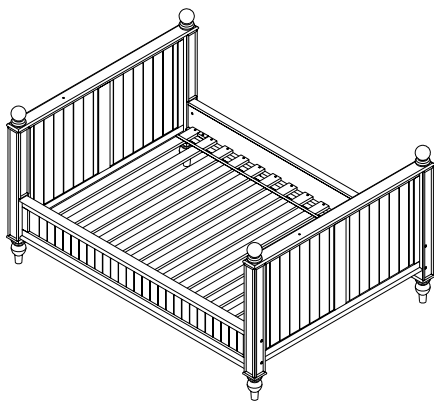


Step #6 through 7: Install the bed slats and metal pin.

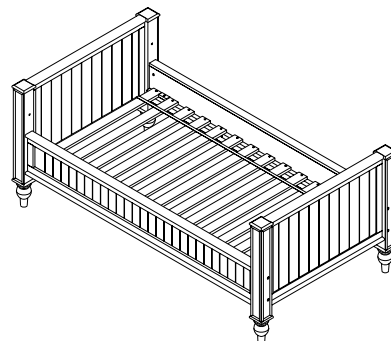
6. Lay the Full Slat roll (H) in between the Side Rails (D) of the Full Bed and use large Phillips head screws (T) to fasten the slats to the side rails for the lower bed. Near the middle of the two full ends top rail insert the (P) Metal pin as shown below.
7. Lay the Twin Slat Roll (G) in between the Side Rails (D) of the Twin Bed and use large Phillips head screws (T) to fasten slats to the side rails with a Phillips head screwdriver for the upper bunk.



NOTE: The bunk may be set up as a full bed and separate twin bed. The third and fourth Ball Finials (J) are to be used on full size lower bunk bed ONLY when the bunk is set up as two beds. Use the last four feet in place of the mid finials on the upper bunk bed ONLY when the bunk is to be set up as a separate bed. Be sure to store whichever ball finials, feet, & metal dowels not being used so that they can be utilized at a later date if needed.



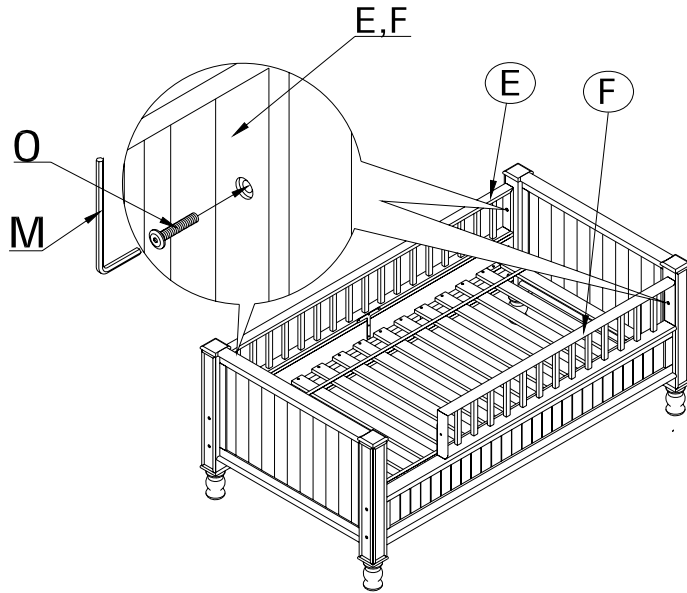
Lower bunk as full bed



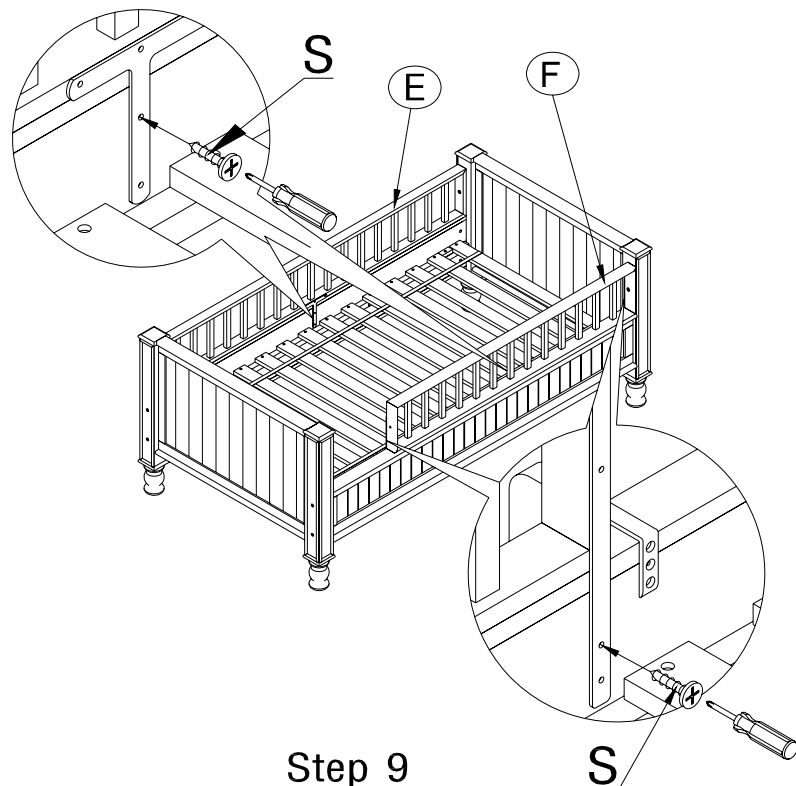
Upper bunk as twin bed

Steps #8 through 9: Attach guardrails

8. Install the Long Guardrail (E) onto the backside of the upper bed by sliding the Guardrail's metal bracket on the inside of the Side Rail (D). Screw the Short Bolts (O) through both ends of the Long Guardrail (E) to join it to upper twin ends, tighten with the Allen wrench (M). Then, Position the Short Guardrail on the upper bed front side rail, so that the ladder will be placed on the desired side of the bed. Attach the Short Guardrail (F) to one Twin End Board (C) using the Short Bolt (O).
9. On the ladder opening end of the Short Guardrail (F), fasten the Guardrail (F) Bracket to the Side Rail (D) using the Small Phillips head screws (S). Fasten the rest of the brackets to the Side Rail. Then, use the small Phillips head screws (S) to fasten the Long Guardrail (E) Brackets to the Side Rail (D) as shown in drawing 9.



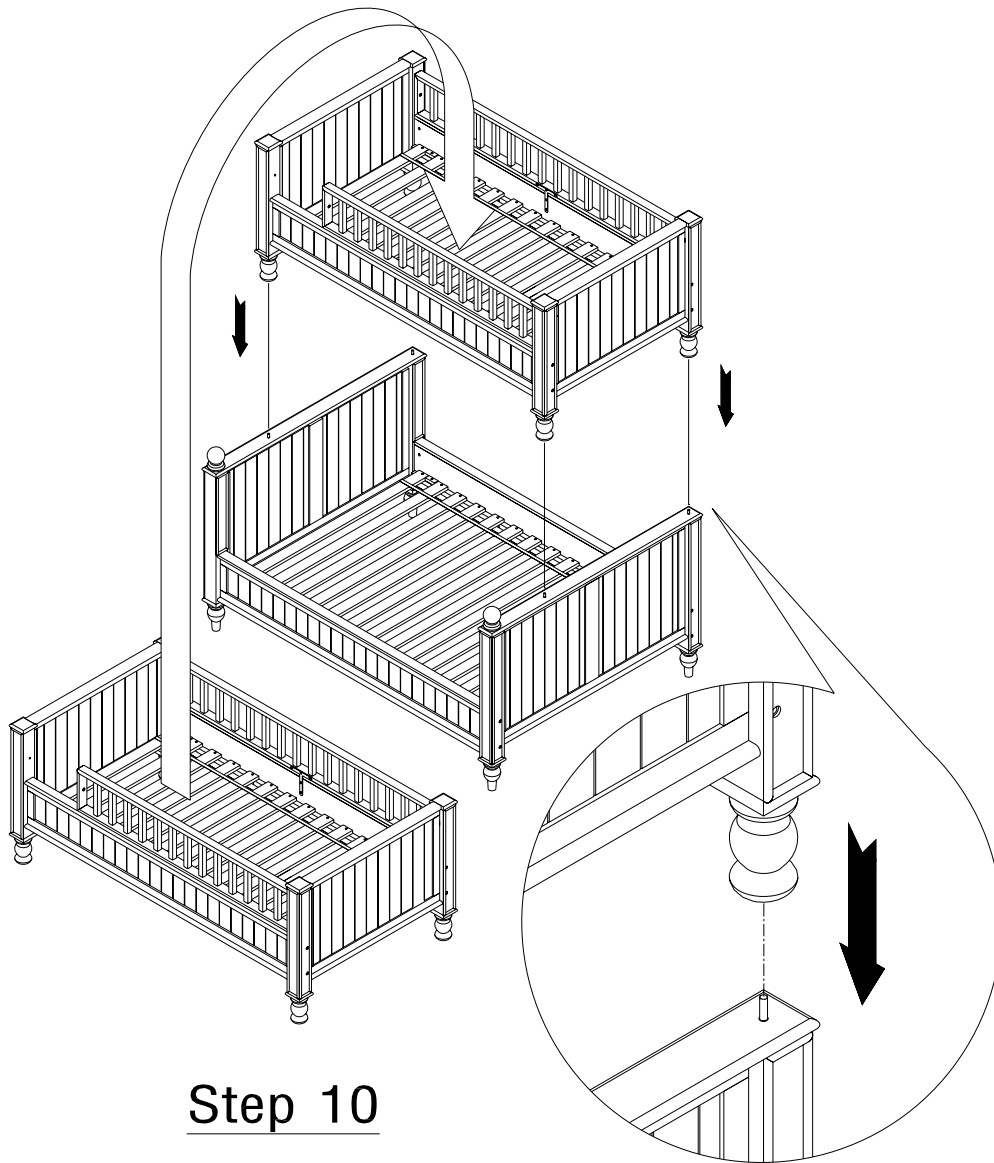
Step 8



Step 9

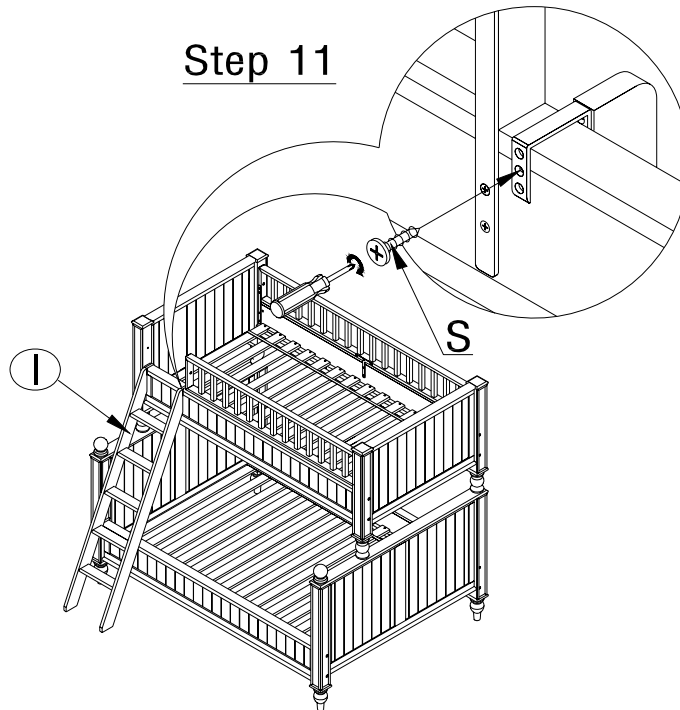
Step #10: Assemble the bunk bed

10. After both bunks are assembled, set the upper bunk on top of the lower bunk. Place the pre-drilled holes in the bottom of the middle finials attached to the upper (twin) bunk bed posts over metal pins (P) and Threaded dowel (Q) in lower (full) bed. NOTE: When using the two beds in the bunk bed configuration, the Middle Finials will be used. When the beds are used as separate beds, the standard Feet will be used. Be sure to store whichever feet, finials, & metal pins/threaded dowels are not used so that they can be utilized at a later date if needed.



Step #11:

11. Affix ladder (I) to the front side of top bunk bed rail as shown by placing ladder bracket over upper bunk side rail in the opening between the short guardrail and end board. Then fasten with the remaining small Phillips head screws (S).



Finally: Retighten all bolts and screws to make sure all are tight and bunk bed structures is rigid. It is recommended all bolts and screws be checked from time to time for safety.

CARE INSTRUCTIONS:

- Dust often using a clean, soft, dry lint-free cloth.
- Blot spills immediately, and wipe with a clean, damp, cloth.
- We do not recommend the use of chemical cleansers, abrasives, or furniture polish on our lacquered finish.
- Check fasteners periodically for tightness. **DO NOT over tighten.** This may cause distortion or breakage.
- Parents should ensure a safe environment for the child by checking regularly, before placing the child in the product, that every component is properly and securely in place.

Thank you for your purchase
Stores | catalog | www.potterybarnkids.com
USA 1.800.290.8181