

# pottery barn kids

## CAMERON CREATIVITY CABINET CHALKBOARD / CORKBOARD

### IMPORTANT SAFETY INSTRUCTIONS:

Please read all instructions carefully before assembling.  
For your safety, assembly by two people is recommended.

### PARTS INCLUDED:

- (1) Top Panel (A)
- (1) Bottom Panel (B)
- (1) Shelf (C)
- (2) Door Panel (D)
- (2) Side Panel (E)
- (1) Back Panel (F)

### HARDWARE ENCLOSED:

- (1) Allen Key (G)
- (8) ¼" x 30mm Allen Bolts (H)
- (8) ¼" Spring Washer (I)
- (8) ¼" Flat Washer (J)
- (2) T-Shaped Connecting Bracket (K)
- (1) Square Connecting Bracket (L)
- (16) 5/32" x 12mm Wooden Screws (M)
- (4) Metal Pin (Q)
- (2) Wooden Knob (R)
- (2 +1) Small Bolt (S)

### TOOLS REQUIRED FOR ASSEMBLY:

- (1) Allen wrench, included (G)

### PRE-ASSEMBLY:

- Remove all parts and hardware from the box and lay out on a clear carpeted or scratch-free work surface. (The shipping box provides an ideal work surface), this will avoid damaging any parts during assembly. Do not dispose of any contents until assembly is completed to avoid accidentally discarding small parts or hardware.
- Use the parts and hardware lists above to identify and separate each of the pieces included. One extra drawer knob is included for your convenience.
- The illustrations provided allow for easier assembly when used in conjunction with the assembly instructions.
- Note: Do not fully tighten all bolts until all parts are in place. Failure to follow these instructions may cause the bolts to misalign during assembly.
- If using power tools to aid in assembly please use caution. Power tools can damage hardware or split wood.

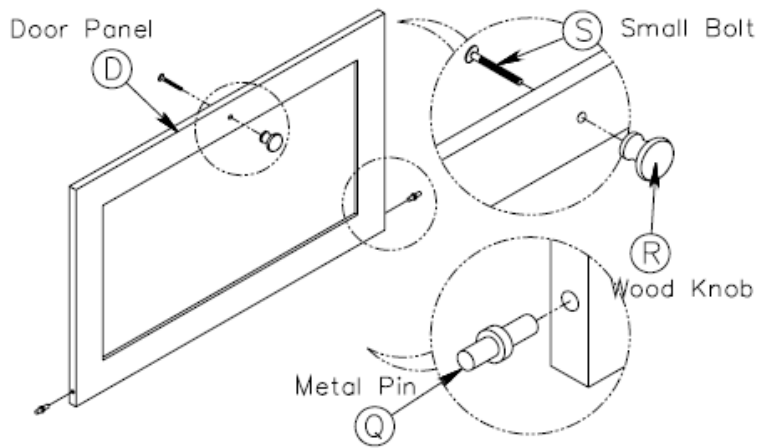
### ASSEMBLY INSTRUCTIONS:

1. Attach Wooden Knobs (R) to Door Panels (D) by using Small Bolt (S) and insert Metal Pin (Q) at both ends of each Door Panel as shown.
2. Attach (2) Side Panel (E) to Shelf (C) as shown. Attach the assembled piece to the Bottom Panel (B) and secure by using (4) Allen Bolts, Flat Washers & Spring Washers. Note: The correct order for the washers to go on the Allen Bolt is: Spring Washer first, Flat Washer second. Please see diagram.
3. Slide the Back Panel (F) into the slots on the backside of the Side Panel.
4. Place Doors (D) into the Bottom Panel and Set the Top Panel (A) on the already assembled pieces. Attach with remaining (4) Allen Bolts, Flat Washers & Spring Washers.
5. If connecting Cabinet piece to other pieces use Wooden Screws (M) Connecting Brackets (K & L) as shown. Screws are self-drilling and are designed to go into wood easily.

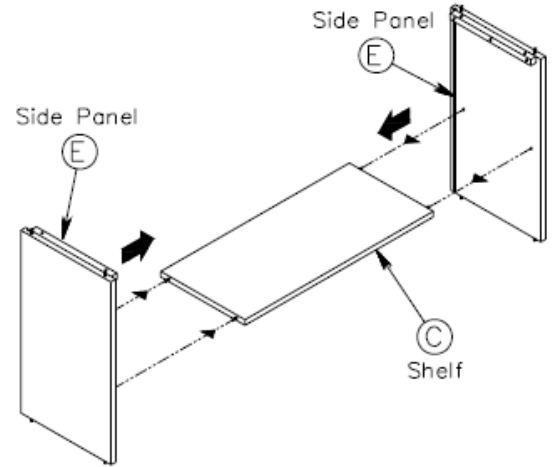
### CARE INSTRUCTIONS:

- Dust with a clean, soft cloth.
- Avoid the use of chemicals and harsh cleaning agents.

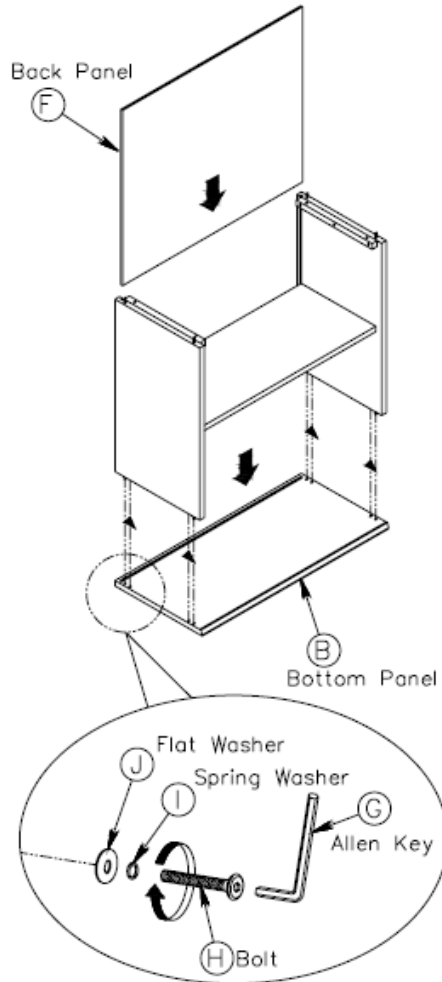
1.



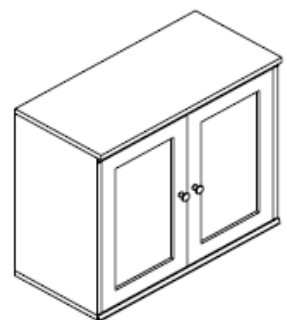
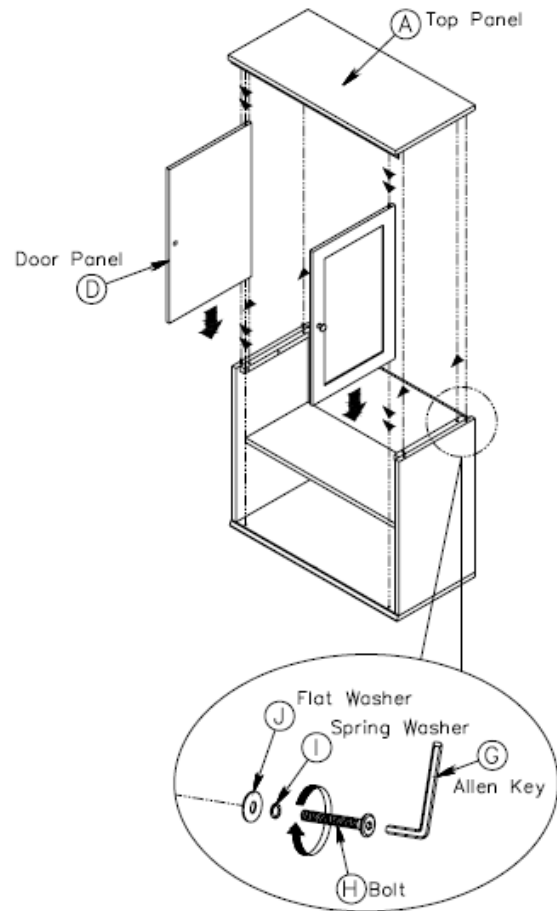
2.

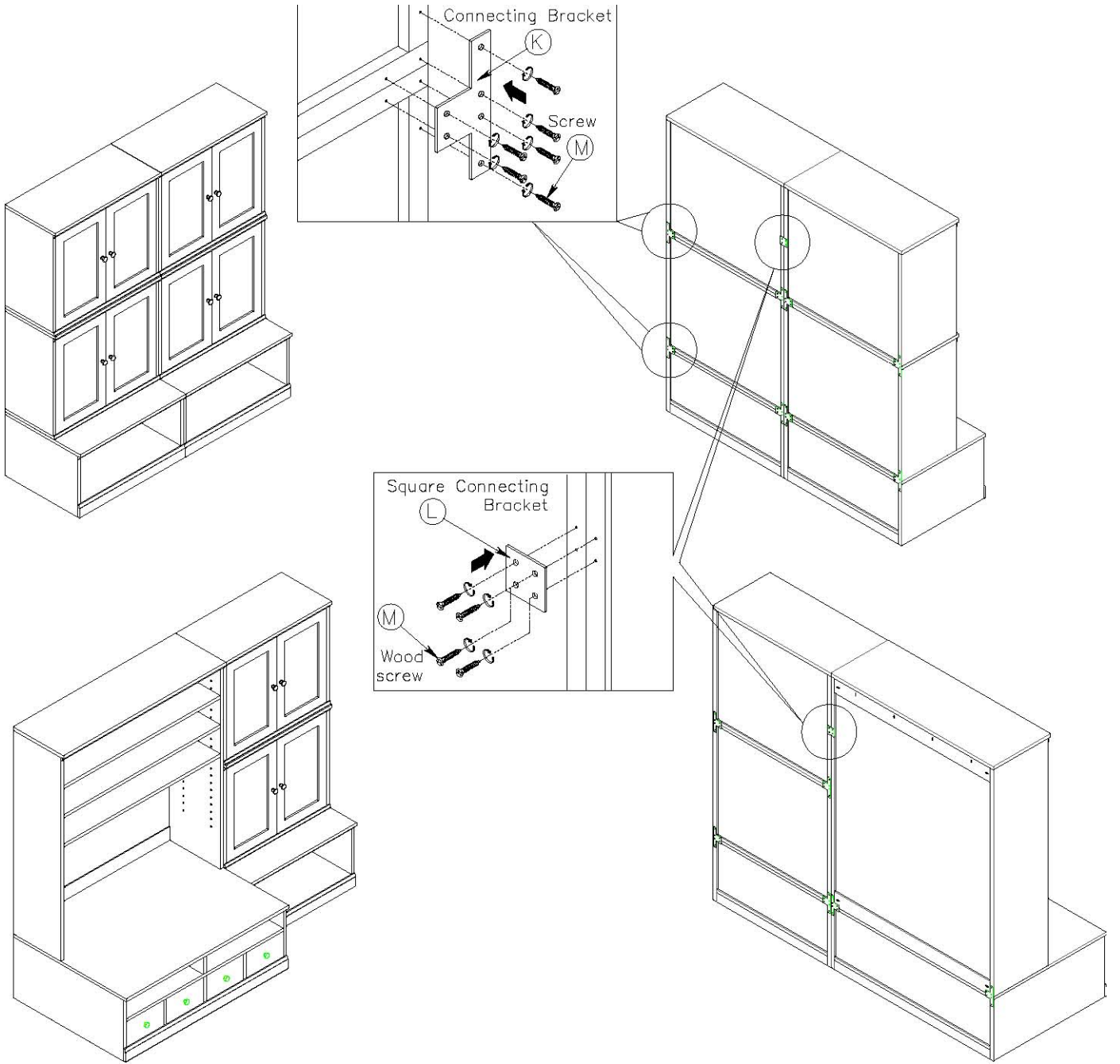


3.



4.





Thank you for your purchase.

stores | catalog | [www.potterybarnkids.com](http://www.potterybarnkids.com)

# FURNITURE TIP RESTRAINT KIT

## IMPORTANT SAFETY INSTRUCTIONS:

Please read all instructions carefully before assembling.

**WARNING:** This product is only a deterrent. It is not a substitute for proper adult supervision.

Young children may be injured by tipping furniture and the use of a tipping restraint is highly recommended.

When properly installed, this restraint could provide protection against the unexpected tipping of furniture. We recommend mounting this restraint to a wall stud

All Parts and Hardware are included with the Cameron Wall Cubby.

## PARTS INCLUDED(WITH CABINET):

- (1) Plastic Restraint
- (2) Mounting Brackets
- (1) Plastic Anchor

## HARDWARE NEEDED

- (2) Screws

**Note:** For safe mounting it is essential to use the proper hardware for your wall type. The included hardware is for drywall or stud mounting only. For other wall types (ie: plaster, concrete, brick...) please consult your local hardware store.

1. Attach one of the mounting Brackets near the top back edge of the furniture piece by fastening directly into piece with the self-drilling screw.
2. Determine the final resting position of the furniture piece. Mark location on the wall approximately 2" below the bracket mounted to the back of the furniture.
3. If wall stud is directly behind the mark made in step #2 fasten the remaining metal bracket directly into the stud using the final screw.
4. If not using a wall stud, insert the Plastic Anchor into the wall on the mark made in step #2.
5. Attach a Mounting Bracket to the wall mount by fastening screw directly into the wall anchor. Turn screw until bracket is flush with the wall.
6. Move the piece of furniture into position so that the brackets are in alignment.
7. Thread the Restraint (M) through Brackets and tighten until snug.
8. Check to make sure the brackets are firmly installed and the strap is secure.

