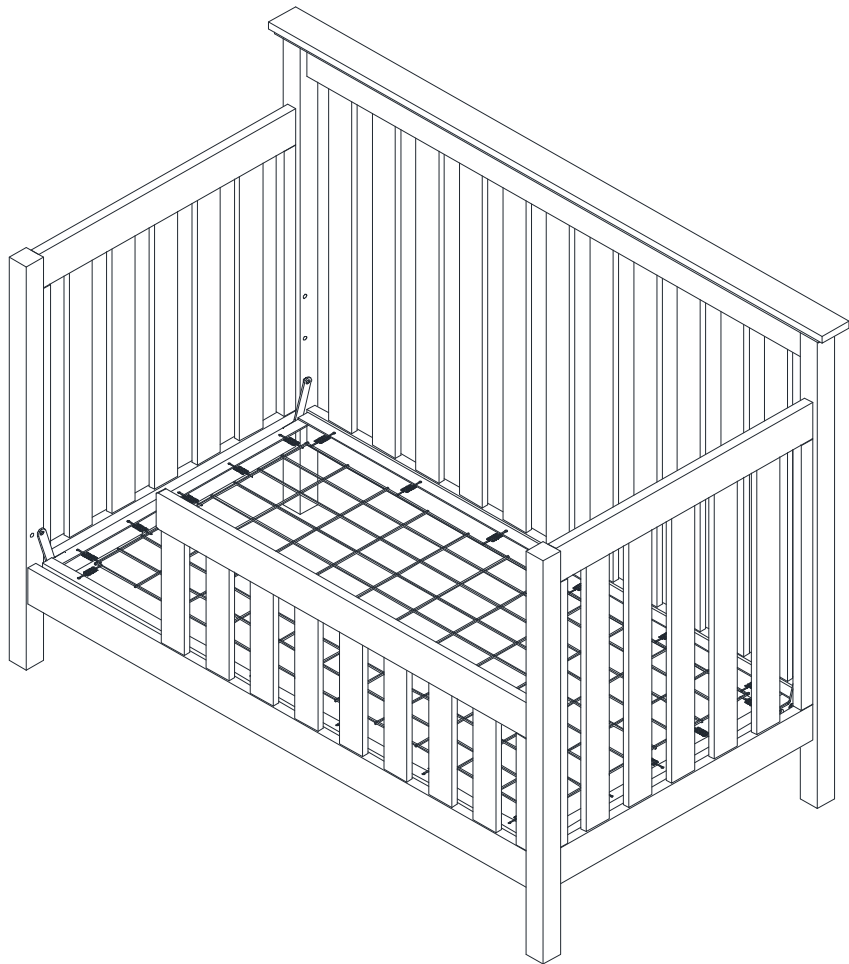


pottery barn kids



ELLIOT TODDLER BED CONVERSION KIT

www.potterybarnkids.com

Date: 2014-November-12

Rev:

Page 1/6



WARNING ENTRAPMENT/STRANGULATION

HAZARD:

- Infants have died in toddler beds from entrapment and strangulation.
- Failure to follow these warnings and assembly instructions could result in serious injury or death.
- NEVER use bed with children under 15 months.
- NEVER place bed near windows where cords from blinds or drapes may strangle a child.
- Read all instructions before assembling toddler bed. KEEP INSTRUCTIONS FOR FUTURE USE.
- **DO NOT** use a water mattress with this toddler bed.
- Never use plastic shipping bags or other plastic film as mattress covers because they can cause suffocation.
- **DO NOT** place bed near windows where cords from blinds or drapes may strangle a child.
- **Do not** place items with a string, cord, or ribbon around the child's neck, such as hood strings or pacifier cords.
- **Do not** suspend strings over a toddler bed or attach strings to toys.
- If refinishing, use a non-toxic finish specified for children's products.
- If included, always use guardrail(s).

CAUTION: ANY MATTRESS USED IN THIS TODDLER BED MUST BE AT LEAST 27 1/4" (69 CENTIMETERS) BY 51 5/8" (131 CENTIMETERS) WITH A THICKNESS NOT EXCEEDING 6" (15 CENTIMETERS) BUT AT LEAST 4" (10 CENTIMETERS).

THIS BED IS FOR CHILDREN OVER 15 MONTHS OF AGE WEIGHING NO MORE THAN 50 POUNDS (22.7 kg).

04-000032-6

IMPORTANT SAFETY INSTRUCTIONS:

- Please read all instructions carefully before assembling.
- For your safety, assembly by two or more adults is recommended.
- Keep instructions for future use.
- Use only vendor supplied hardware to assemble. Using unauthorized hardware could jeopardize the structural integrity of the item.
- Do not remove warning labels from the crib. Labels are permanent and not designed to be removed.

PRE-ASSEMBLY:

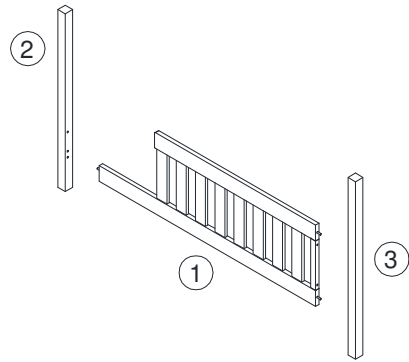
- Remove all parts and hardware from the box and place them on a carpet, or scratch-free work surface, as this will avoid damaging parts during assembly. The shipping box provides an ideal work surface.
- To avoid accidentally discarding small parts or hardware, do not dispose of any packaging or contents of the shipping carton until assembly is complete.
- Use the parts and hardware lists below to identify and separate each of the pieces included.
- The illustrations provided allow for easier assembly when used in conjunction with the assembly instructions.
- The use of power tools to aid in assembly is not recommended. Power tools can damage hardware and split wood.

PARTS INCLUDED:

PART 1). GUARDRAIL (1x)

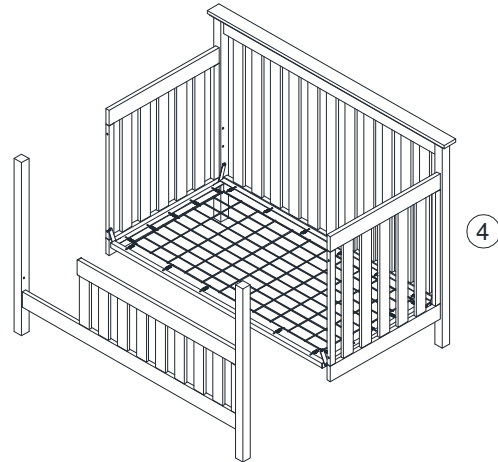
PART 2). LEFT POST (1x)

PART 3). RIGHT POST (1x)

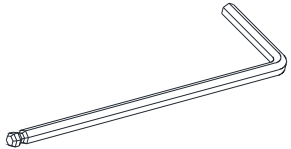

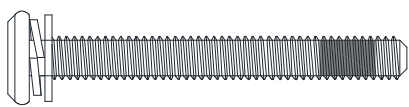
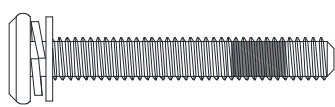


CRIB PARTS:

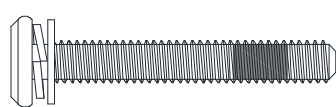
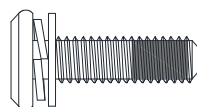
PART 4). ELLIOT CRIB (sold separately)



HARDWARE INCLUDED:

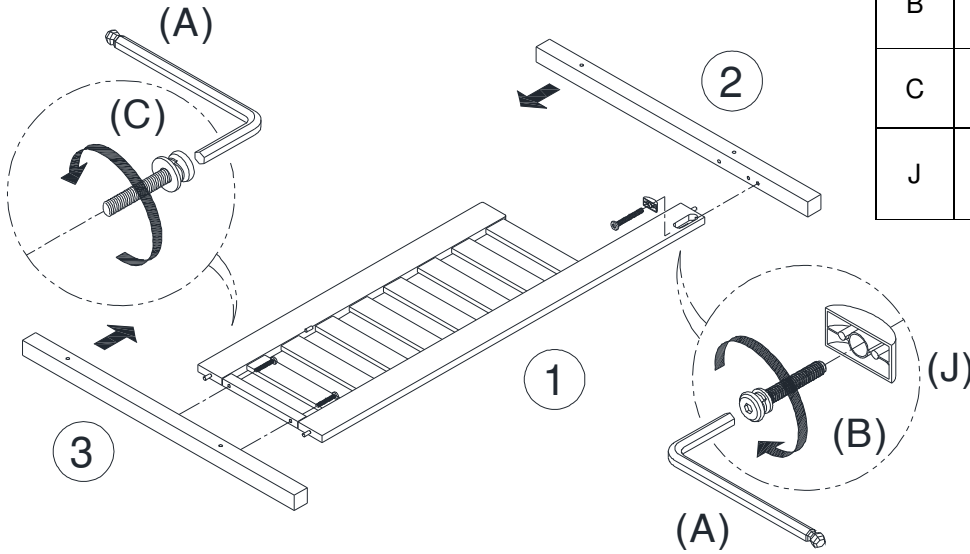
<p>(A) Allen Key - 1x</p> 	<p>(J) Half-Moon Washer – 1x</p> 
<p>(B) Bolt (M6 x 50mm) – 1x</p> 	<p>(C) Bolt (M6 x 40mm) – 2x</p> 



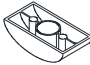
HARDWARE REQUIRED (From Crib):

<p>(C) Bolt (M6 x 40mm) – 4x</p> 	<p>(D) Bolt (M6 x 20mm) – 4x</p> 
--	--

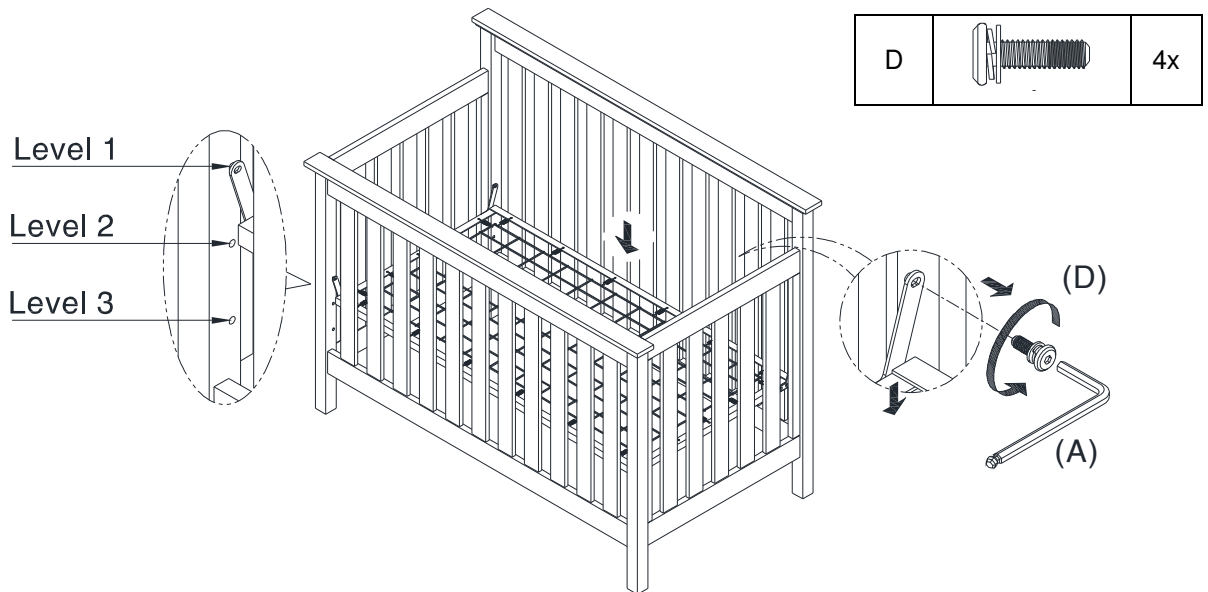
ASSEMBLY INSTRUCTIONS:

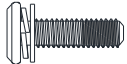
1. Align the Left Post (Part 2) insert nut with the oval cutout on the Guardrail (Part 1) and the Right Post (Part 3) insert nuts with through holes on Guardrail (Part 1).
2. Insert Bolt (B) with Half-Moon Washer (J) into the cut-out on the guardrail into insert nut located on the Left Post (Part 2) and tighten with Allen Key (A).
3. Insert 2pcs of Bolt (C) into pre-drilled holes located on interior of the Guardrail (Part 1) into Right Post (Part 3) and tighten with Allen Key (A).



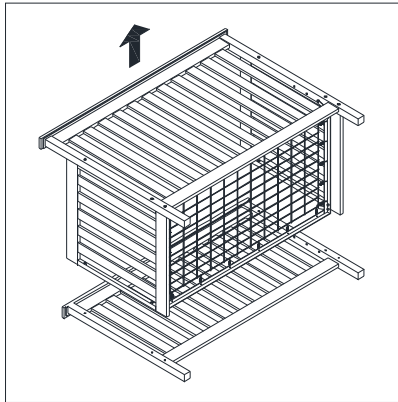
B		1x
C		2x
J		1x



4. Remove the Crib Assembly Instructions from the envelope attached to the Crib Mattress Base. Review and keep instructions for part and hardware description reference. If you cannot locate the crib Assembly Instructions, please contact Pottery Barn Kids for another copy.
5. Lower the mattress base to the lowest level (Level 3) as seen in the illustration below.

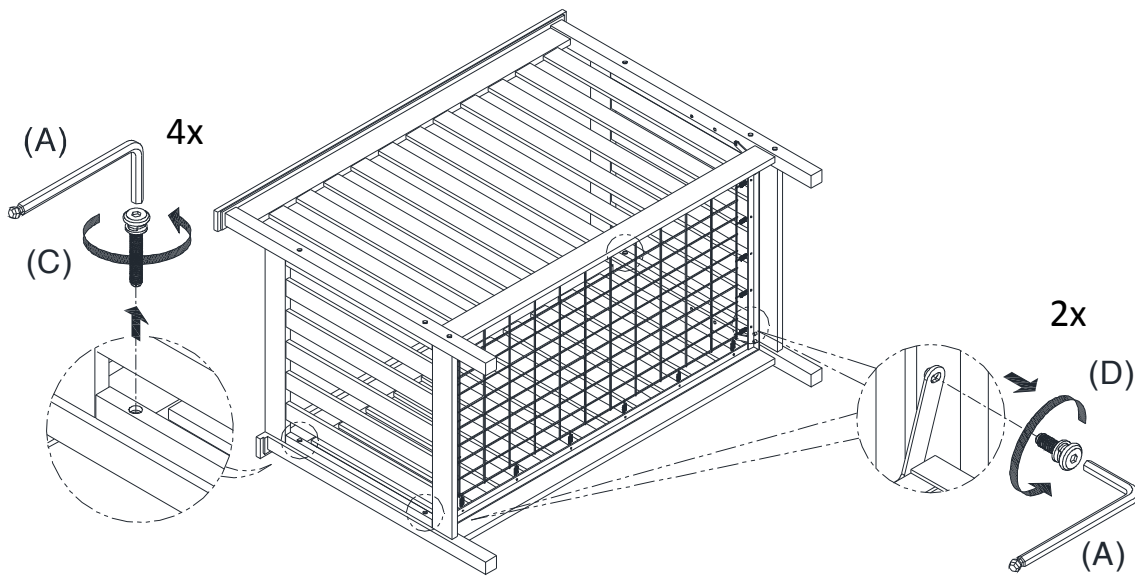


D		4x
---	---	----

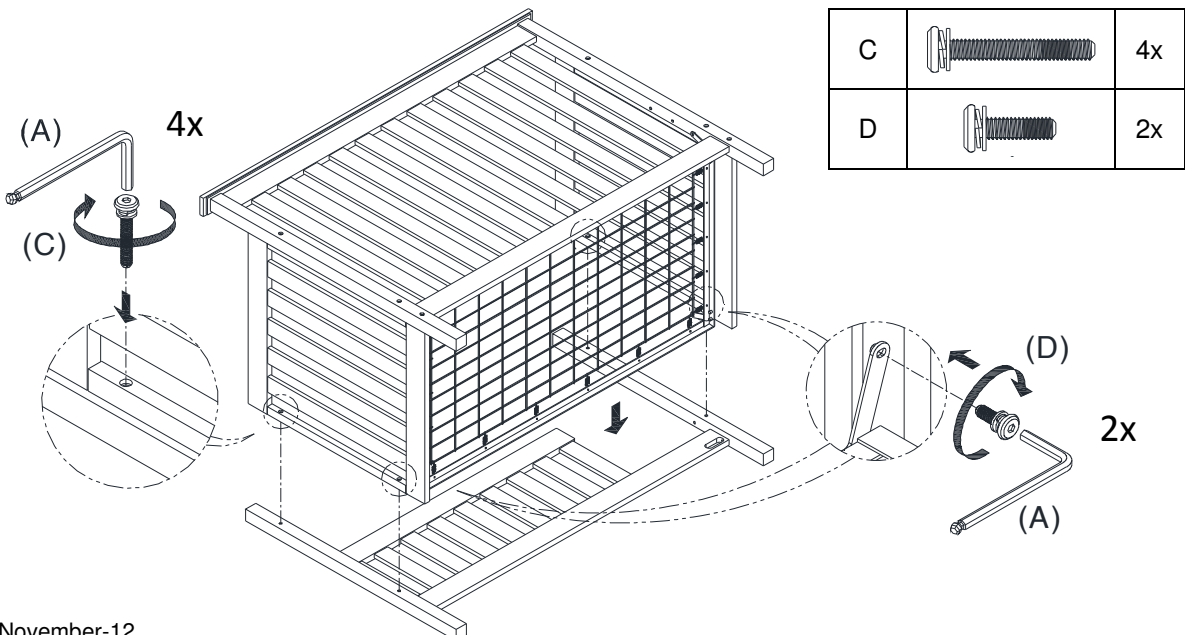
6. With the help of another adult, carefully turn the crib and place it on a scratch-free surface. Unscrew the 2 Bolts (D) to detach the Mattress Base from Front Gate (PART 2). Remove Front Gate (PART 2) from the Crib by unscrewing the 4 Bolts (C) at top and bottom with Allen key (A), as shown in the illustration below.





C		4x
D		2x

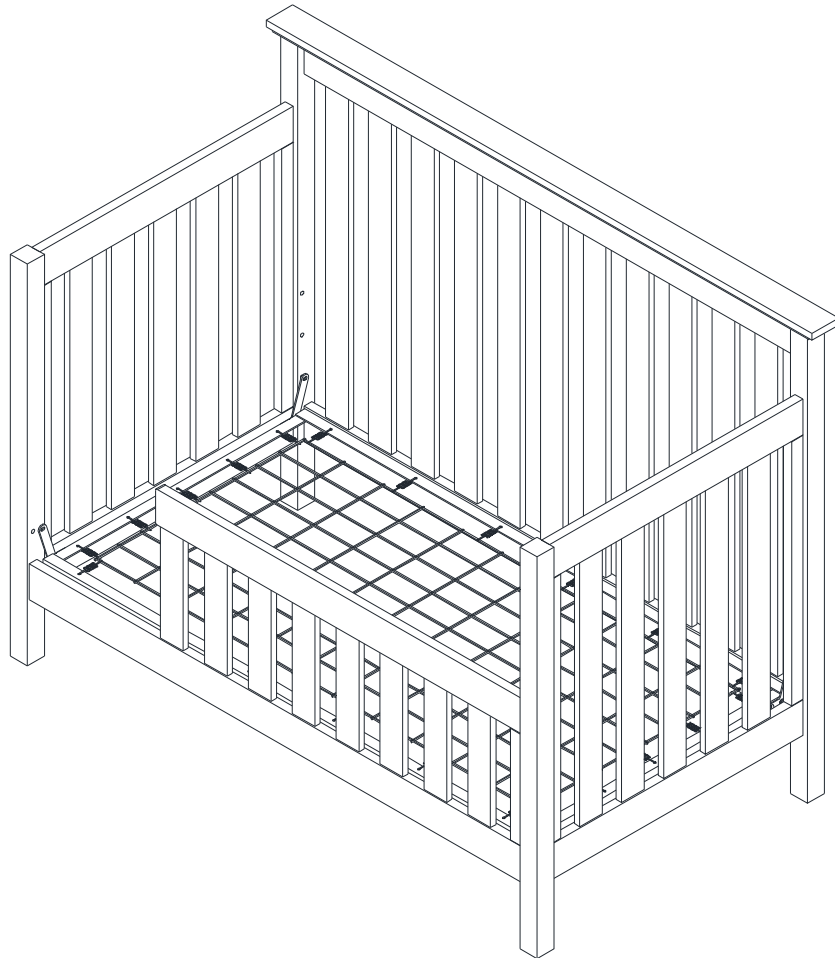


7. Attach the assembled Conversion Kit to the Left/Right End Panel (PART 3 & 4) using the original 4 Bolts (C) and tighten with Allen Key (A). Do not fully tighten bolts (C) at this point. Then fix the two brackets of the Mattress Base to the Conversion Kit using the original 2 Bolts (D) and tighten with Allen Key (A), as shown in the illustration below.



C		4x
D		2x

8. Check alignments and fully tighten all connections at this time.
9. Assembly is now complete.
10. Place the assembly instructions back into the envelope mounted on the mattress base for future reference.



CARE INSTRUCTIONS

- Dust often using a clean, soft, dry, lint-free cloth.
- Blot spills immediately, and wipe with a clean, damp cloth.
- We do not recommend the use of chemical cleansers, abrasives, or furniture polish on our lacquered finish.
- If the crib is to be stored, store in cool dry place and carefully package all original hardware to protect from loss or damage.
- Check fasteners periodically for tightness. **DO NOT** over tighten, as this may cause distortion or breakage.
- Parents should ensure a safe environment for the child by checking the crib regularly that every component is properly and securely in place, before placing the child in the product.

Thank you for your purchase.
stores | catalog | www.potterybarnkids.com
USA 1.800.290.8181

Date: 2014-November-12

Rev: