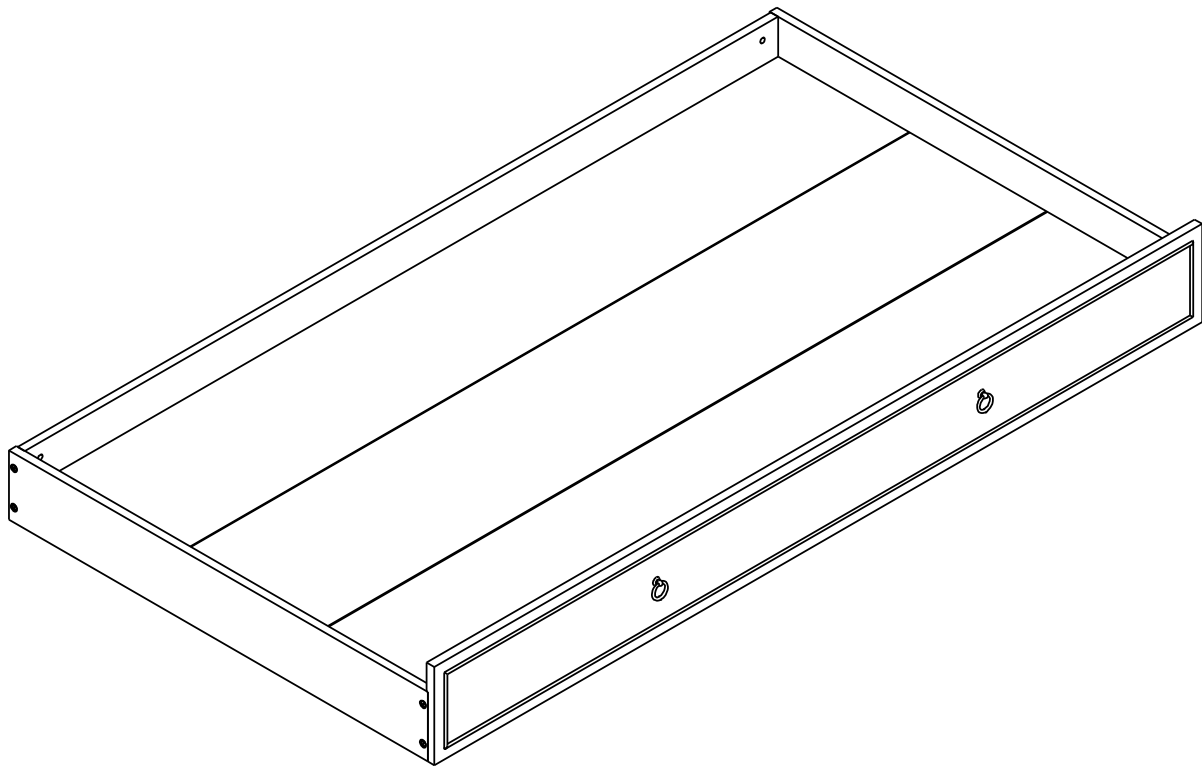




**ELSIE DAYBED TRUNDLE**  
**ASSEMBLY INSTRUCTION**



**Important safety instructions:**

- Please read all instructions carefully before assembling this Trundle.
- For your safety, assembly by two or more adults is strongly recommended.
- Keep these instructions for future use.
- Use only vendor-supplied hardware to assembly this item. Using unauthorized hardware could jeopardize the structural integrity of the item.

**Pre- assembly:**

- Remove all parts and hardware from the box. Place all items on a carpeted or scratch-free work surface, as this will avoid damaging parts. The shipping box provides an ideal work surface.
- To avoid accidentally discarding small parts or hardware, please do not dispose of any contents until assembly is complete.
- Two people are recommended for your safety and ease of assembly.
- Prior to starting this assembly, use the parts and hardware lists to identify and separate each of the pieces included.
- The illustrations provided allow for easier assembly when used in conjunction with the assembly instructions.
- Note: Do not fully tighten any of the bolts until all parts are in place. Failure to follow these instructions may cause the bolts to misalign during assembly.
- Please use caution if using power tools to aid in assembly. Power tools can damage the hardware or split the wood.

**Part included:**

A – Front Panel (x1)

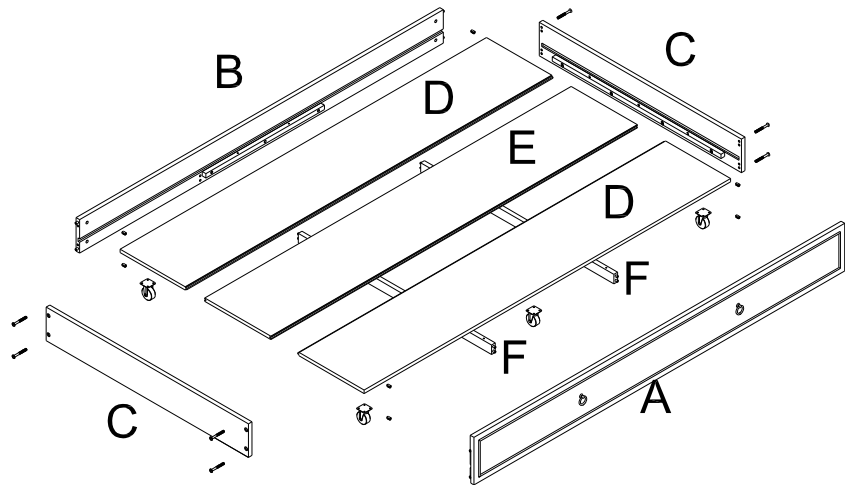
B – Back Panel (x1)

C – Side Rail (x2)

D – Side Bottom Panel with protruding edge (x2)

E – Middle Bottom Panel with sunken edge (x1)

F –Bottom Board Support (x2)



**Hardware included:**


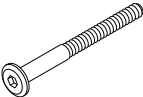
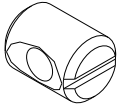
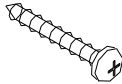
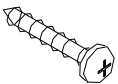
G – Ball Tip Allen Key

H – Hex Bolt

I –Barrel Nut

J –Pan Head Screw

K- Pan Head Screw

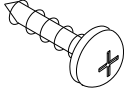
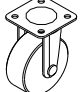
G	H	I	J	K
				
(4x95x30mm)	1/4"x63x13mm	1/4"x11x10mm	8x38mm	8x25mm
1 pc	8 pcs	8 pcs	12 pcs	10 pcs

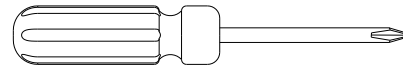
L- Small Pan Head Screw

M - Castor

**TOOLS REQUIRED (but not included):**

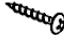
Phillips Head Screwdriver

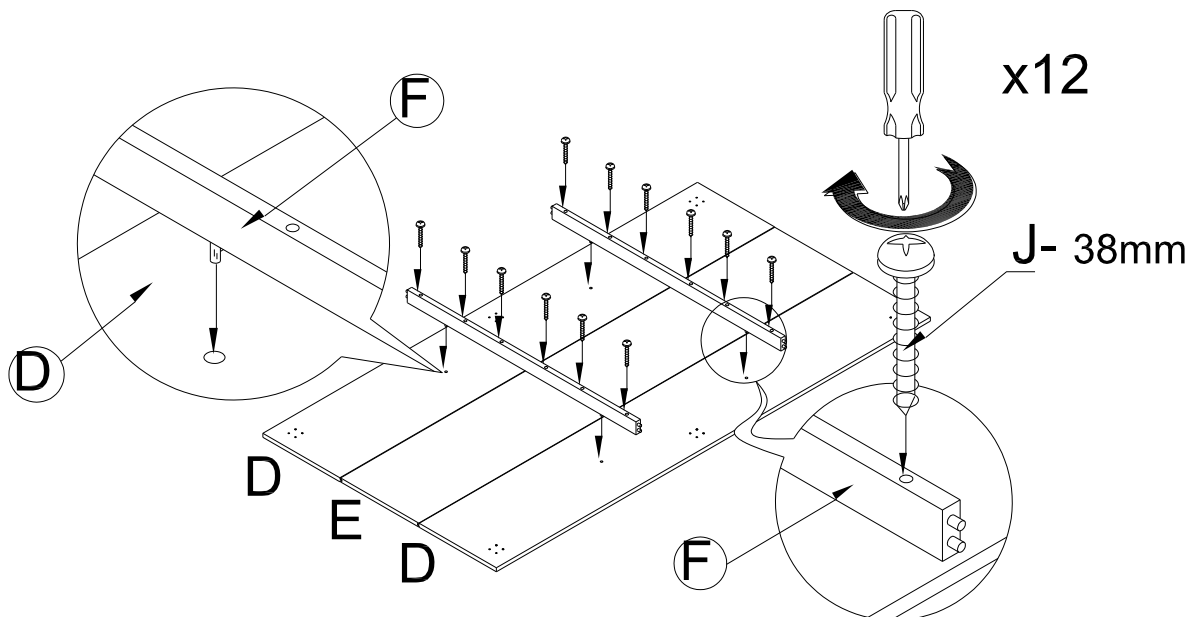
L	M
	
8x12mm	50x50x65mm
24 pcs	6 pcs





**Assembly Instruction Steps:**

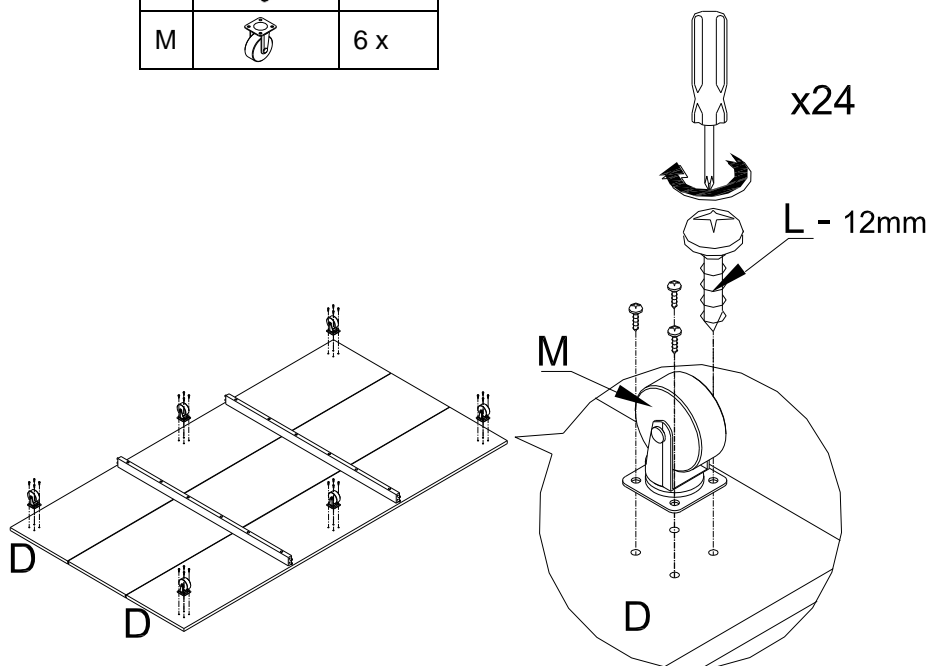
1. Place the 2 Side Bottom Panels (D) with the pre-drilled holes facing up.
2. Slot the protruding edges of the Side Bottom Panels (D) into the sunken edges of the Middle Bottom Board (E), as seen in the illustration below.
3. Align the wooden dowels on the Bottom Board Support (F) with the pre-drilled holes at the bottom of the Side Bottom Panels (D).
4. Screw the Bottom Board Support (F) to the Bottom Boards with 12 Pan Head Screws 38x8mm (J), as shown in the illustration below.

J		12 x
---	---	------

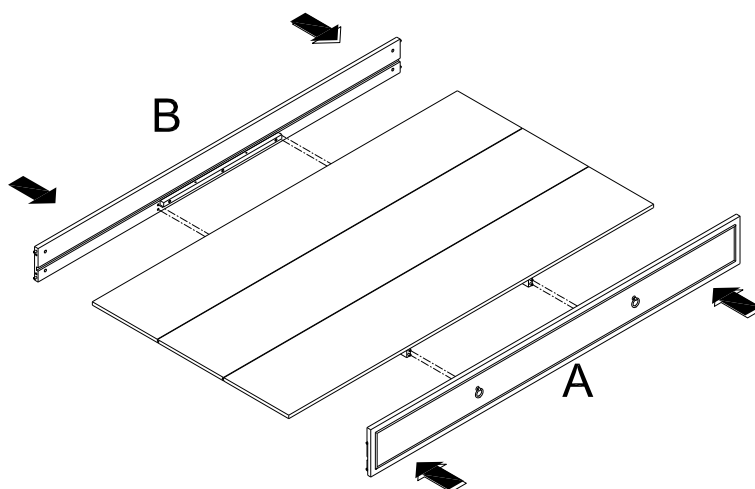


- Fasten the 6 Casters (M) to the Side Bottom Panels (D) and secure with 6 Short Pan Head Screws 17x8mm (L). Make sure to use the pre-drilled holes of the Side Bottom Boards (D) as a guide.

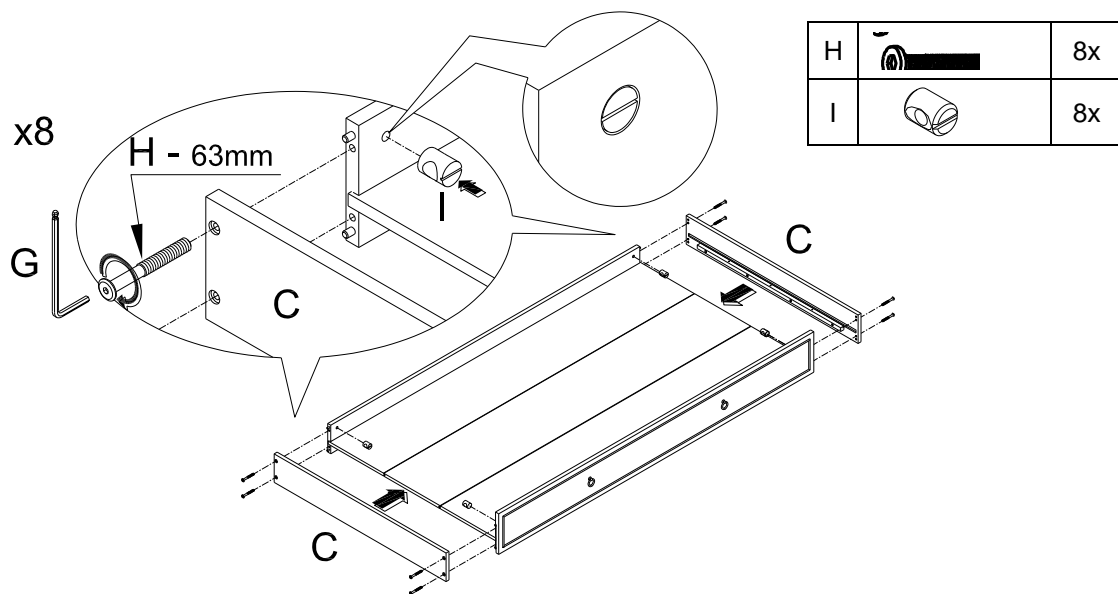
L		24 x
M		6 x



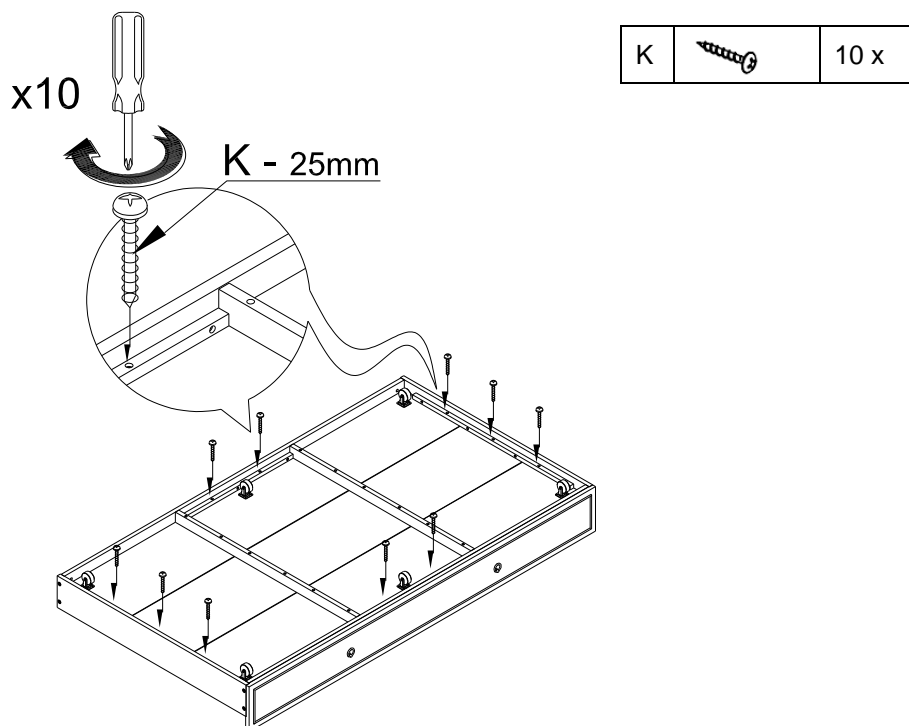
- Turn the assembled piece to the upright position.
- Attach the Front Panel (A) and Back Panel (B) to the Side Bottom Panels by aligning the pre-fixed wooden dowels at the end of Bottom Board Support (F), to the pre-drilled holes on the Front Panel (A) and Back Panel (B), as seen in the illustration below.
- Press firmly to ensure the Side Bottom Panels (D) sit well into the slots of the Front Panel (A) and Back Panel (B), as seen below.



- Attach the 2 Side Rails (C) to Front Panel (A) and Back Panel (B), by aligning the pre-fixed wooden dowels at the ends of the Front and Back Panel to the pre-drilled holes of the Side Rail (C), as seen in the illustration below.
- Secure with 8 Hex Bolts (H) and 8 Barrel Nuts (I), as shown in the illustration below.
- Tighten all bolts with Allen Key (G).



12. With the help of another person, turn the assembled Trundle over.
13. Tighten the 10 Pan Head Screws 25x8mm (K) through the pre-drilled holes on the cleats of Panels (A,B & C) and into the Bottom Boards (D & E), as shown in the illustration below.
14. Assembly is complete.



#### CARE INSTRUCTIONS:

- Dust often using a clean, soft, dry, and lint-free cloth.
- Blot spills immediately and wipe with a clean, damp cloth.
- We do not recommend the use of chemical cleansers, abrasives, or furniture polish on our lacquered finish.
- Hardware may loosen over time. Periodically check to make sure all connections are tight. Re-tighten if necessary.