

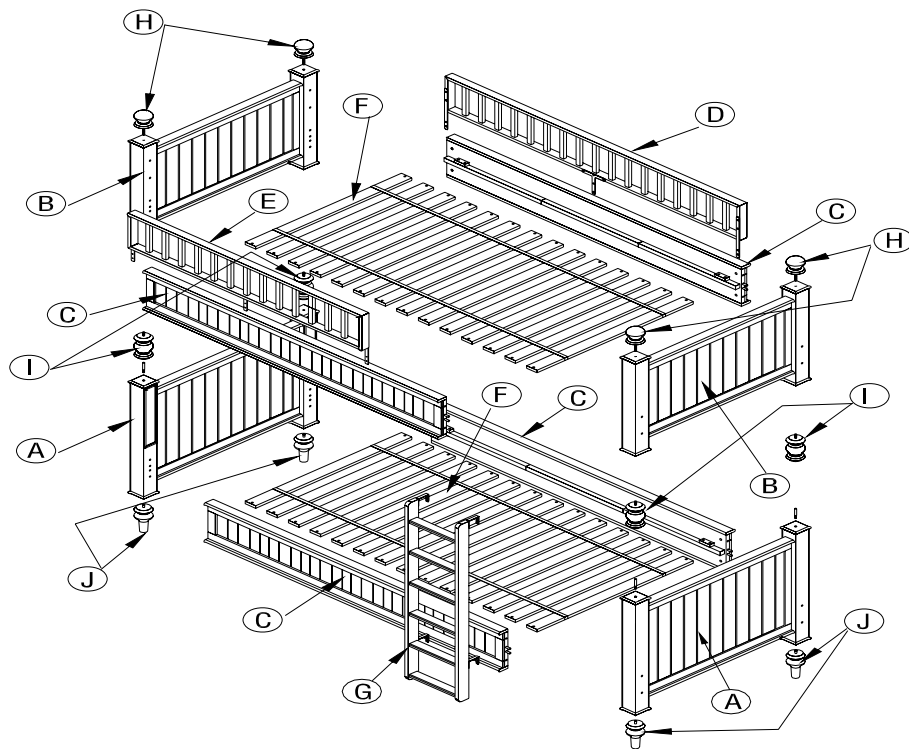
pottery barn kids

THOMAS BUNK BED

WARNING:

Failure to follow these warnings and assembly instructions could result in serious injury or death.

- Read all instructions before assembling bunk bed. KEEP INSTRUCTIONS FOR FUTURE USE.
- Before each usage or assembly. Inspect bunk bed for damaged hardware, loose joints, missing parts or sharp edges. DO NOT use bunk bed if any parts are missing or broken. Telephone or write to Pottery Barn Kids for replacement parts and instruction literature if needed. DO NOT substitute parts.
- Follow the information on the warnings appearing on the upper end structure and on the carton. DO NOT REMOVE WARNING LABEL FROM THE BED.
- Never allow a child less than 6 years on upper bunk.
- Use only mattress, which is 74"-75" long and 37.5"-38.5" wide on upper bunk.
- Ensure thickness mattress does not exceed 9' and mattress is at least 5" below upper edge of guardrails.
- Always use the recommended size mattress or mattress support, or both, to help prevent the likelihood of entrapment or falls.
- Surface of mattress must be at least 5inches(127mm) below the upper edge of the guardrails.
- Periodically check and ensure that the guardrail, ladder and other components are in their proper position, free from damage, and that all connectors are tight.
- Do not allow horseplay on or under the bed and prohibit jumping on the bed.
- Always use the ladder for entering and leaving the upper bunk.
- Use of a nightlight may provide added safety precautions for a child using the upper bunk.
- Always use guardrail on both long sides of the upper bunk.
- Prohibit more than one person on the upper bunk.
- If the bunk bed will be placed next to a wall, the guardrail that runs the full length of the bed should be placed against the wall to prevent entrapment between the bed and the wall.
- If refinishing, use a non-toxic finish specified for children's products.
- DO NOT use a water mattress with this bunk bed.



PARTS INCLUDE:

A – Headboard & Footboard (lower)

B – Headboard & Footboard (upper)

C – Side rails (4)

D – Long Guardrail (1)

E – Short Guardrail (1)

F – Slat Rolls (2)

G – Ladder (1)

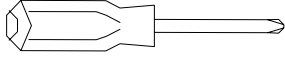
H – Top Finials (8)

I - Middle Finials (4)

J – Feet (8)

TOOLS INCLUDED:

Phillips head screw driver (not included)



Allen Wrench (included)

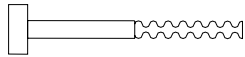


HARDWARE:

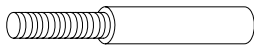
K – Allen Wrench (x1)



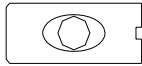
L – Long Bolts (x16)



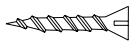
M – Threaded Dowel (x 4)



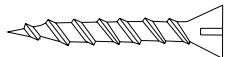
N – Barrel Nuts (x16)



O – Small Phillips Head Screws (x16)



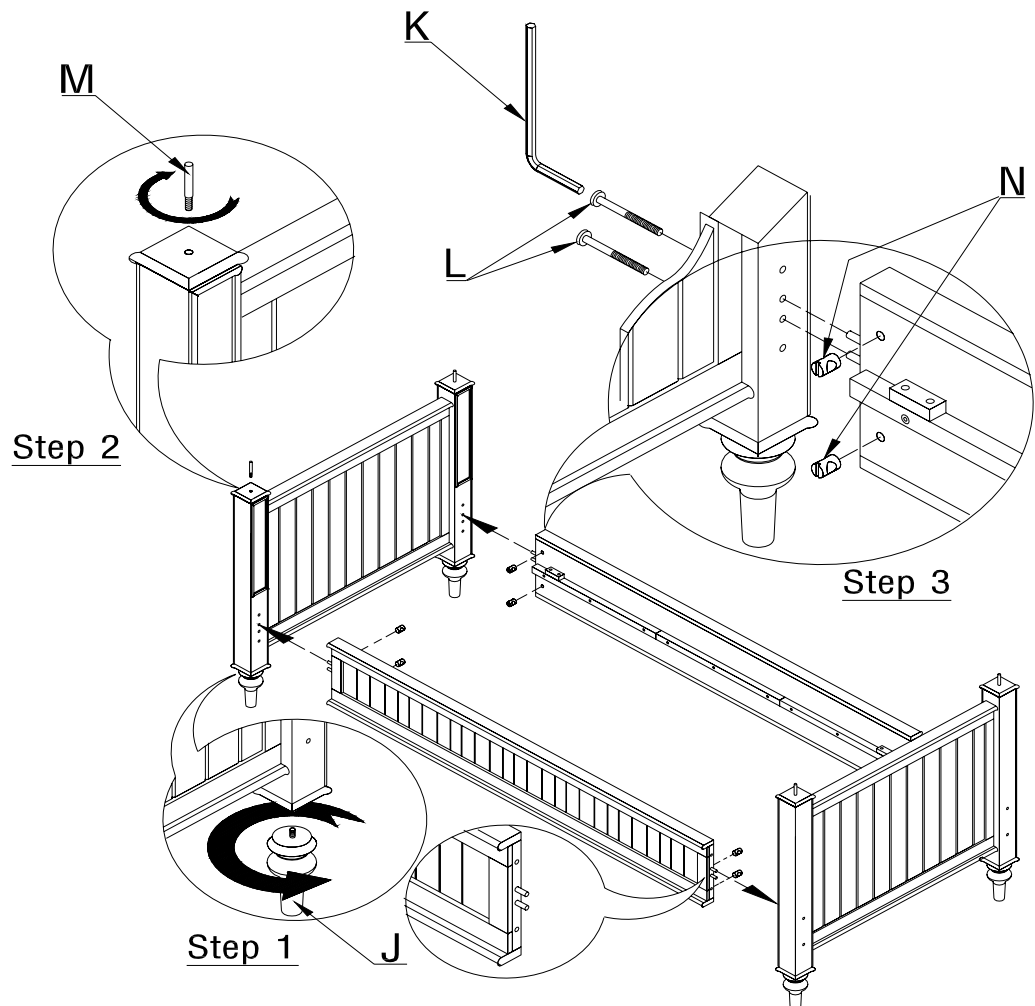
P - Large Phillips Head Screws (x56)



ASSEMBLY:

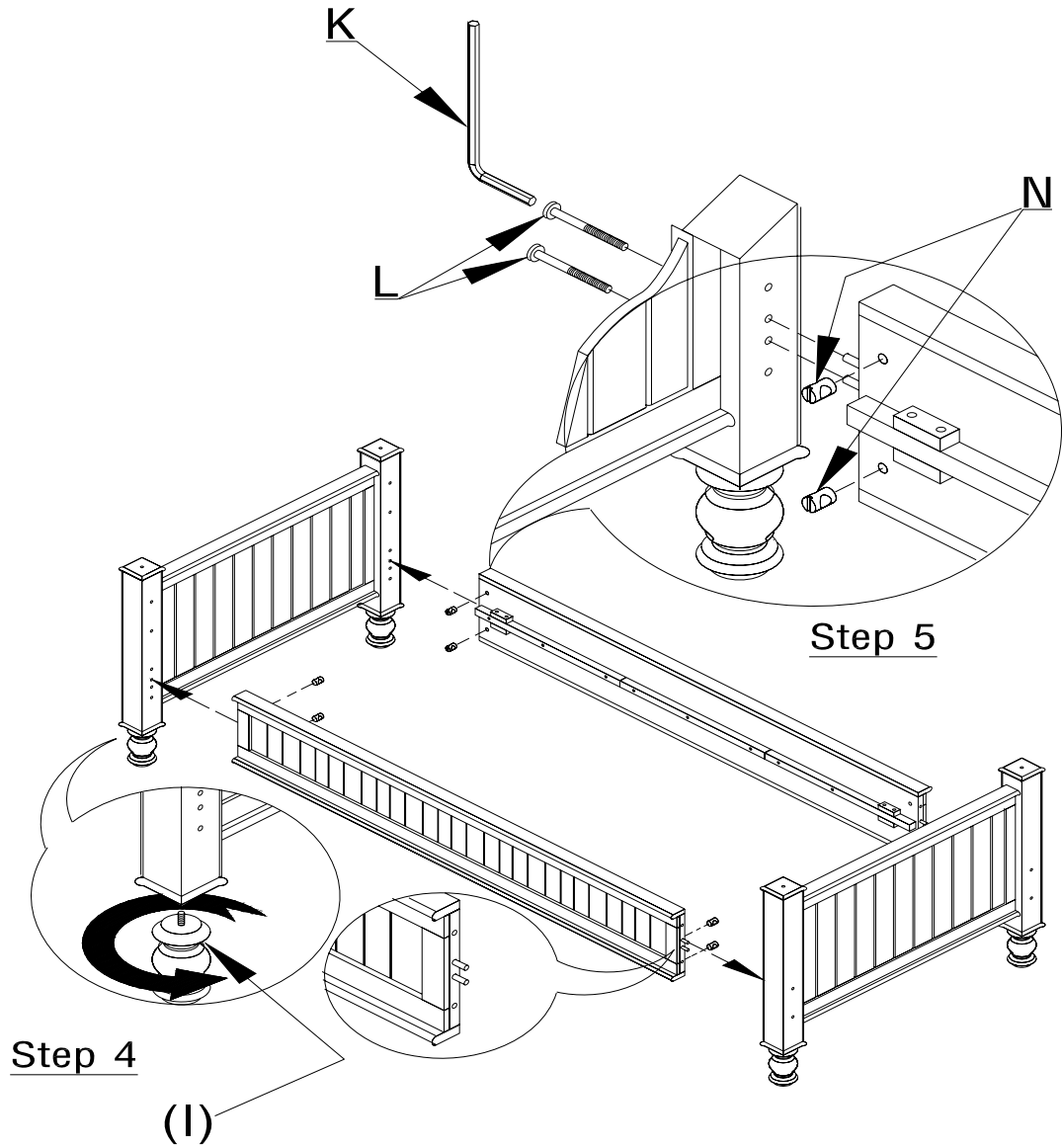
Steps #1 through 3

1. Assembly lower bunk first using the (A) taller end boards as both headboard and foot board for the bed. (Note: if you decide to use the bunk bed set as 2 single beds use the (A) taller end boards from the lower bunk and each shorter bed end boards from the upper bunk as head boards for each single bed.)
2. Screw in the feet to the lower bunk and insert (M) Threaded dowels into each post of the lower bunk.
3. Install (N) Barrel nuts to each end of side rails.
4. Hold side rails up to lower most pre-drilled holes as shown below in headboard and foot head board and insert (L) long bolts from the outside of headboard and foot board into the (N) Barrel nuts. Tighten with (K) Allen wrench provided.



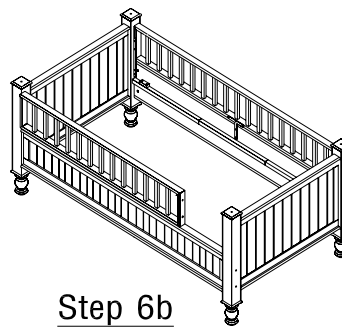
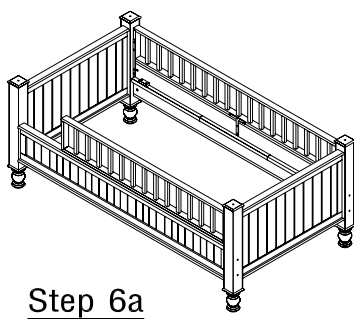
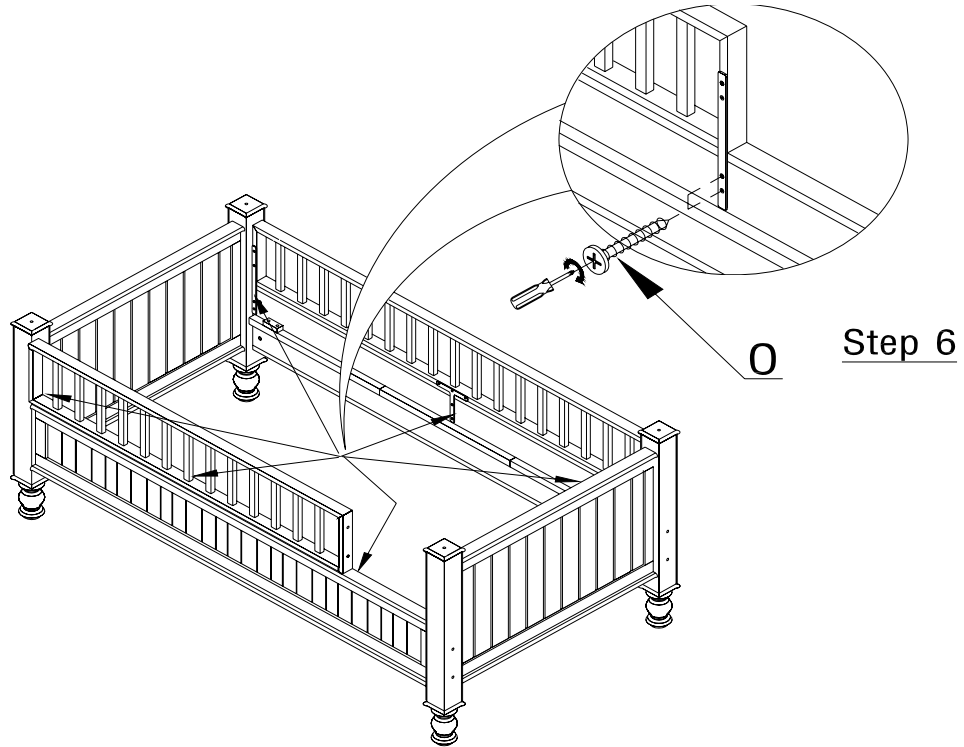
Steps #4 through 5

5. Screw in the (I) middle finials to the post of upper bunk. Insert (N) barrel nuts into each end of side rails. Hold side rails up to lower most pre-drilled holes as shown below in headboard and foot head board and insert (L) long bolts from the outside of headboard and foot board into the barrel nuts. Tighten with (K) Allen wrench provided.



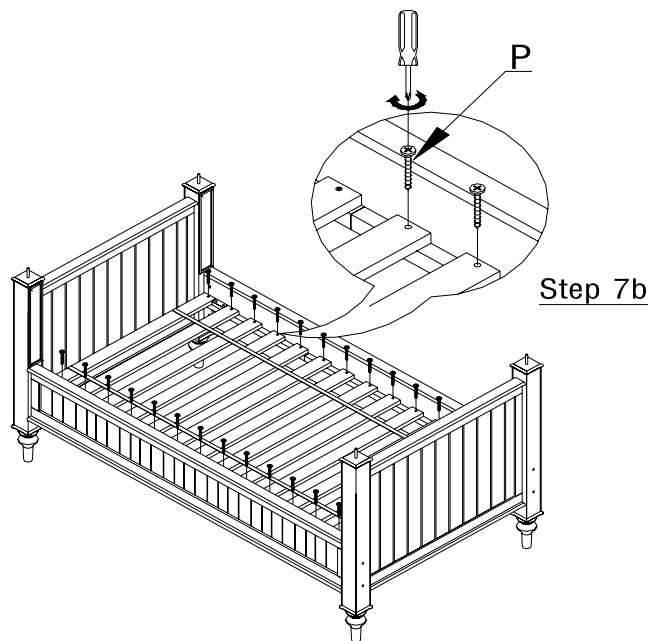
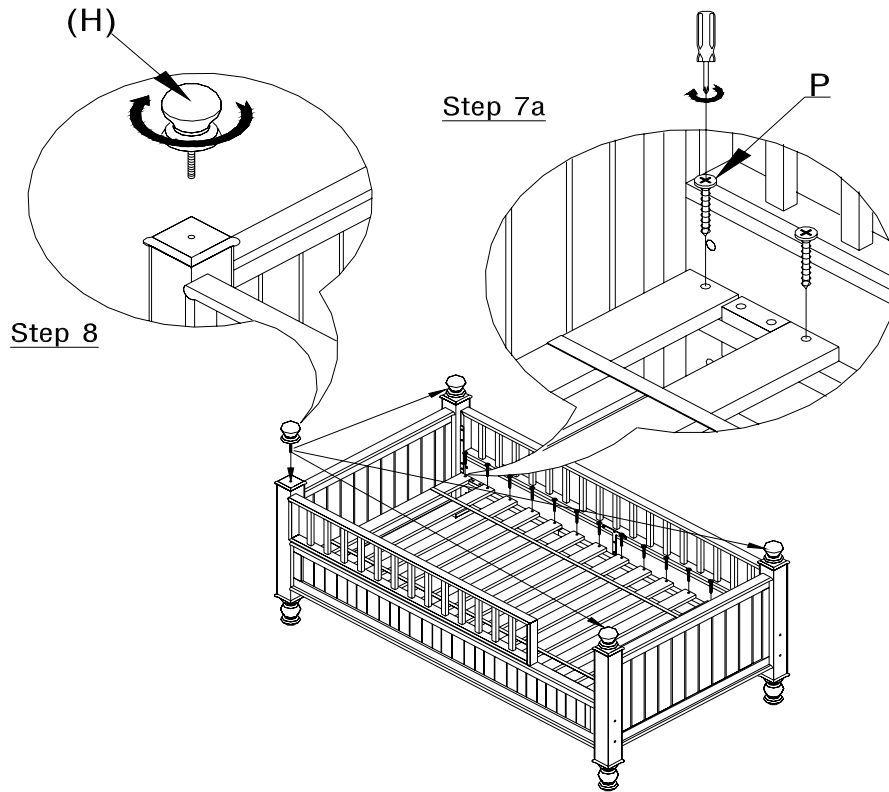
Step #6

6. Install (D) long guardrail onto the backside of the bed by placing metal bracket over side rail. Make sure there are no gap in between end of long guardrail and bed end structure before you start fastening the parts. Use small Phillips head screws to fasten guardrail to side rail.
7. Repeat procedure with short guardrail on upper bunk as shown.



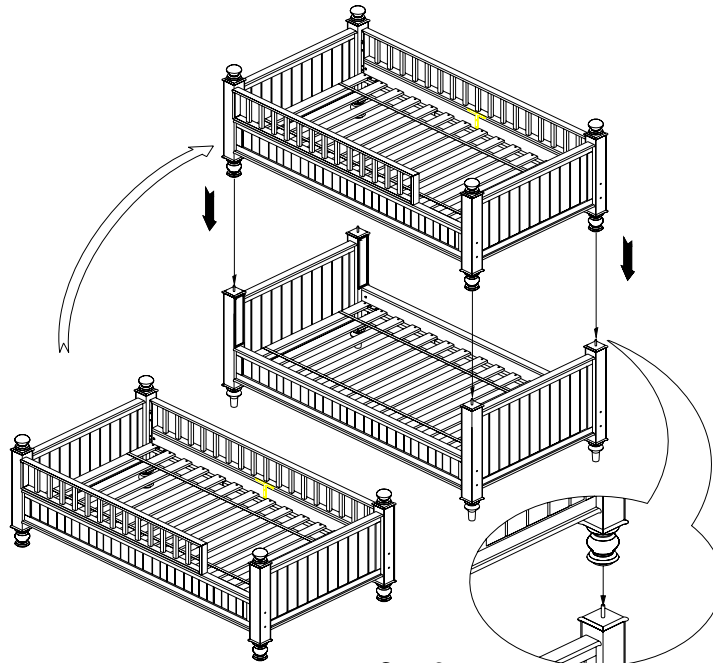
Steps #7 through 8

8. Lay the slat roll in between the side rails and use (P) Large Phillips head screws to fasten slats to the side rails with a Phillips head screwdriver for both upper bunk and lower bunk.
9. Screw (H) top finials into the upper bunk as shown below.



Step #9

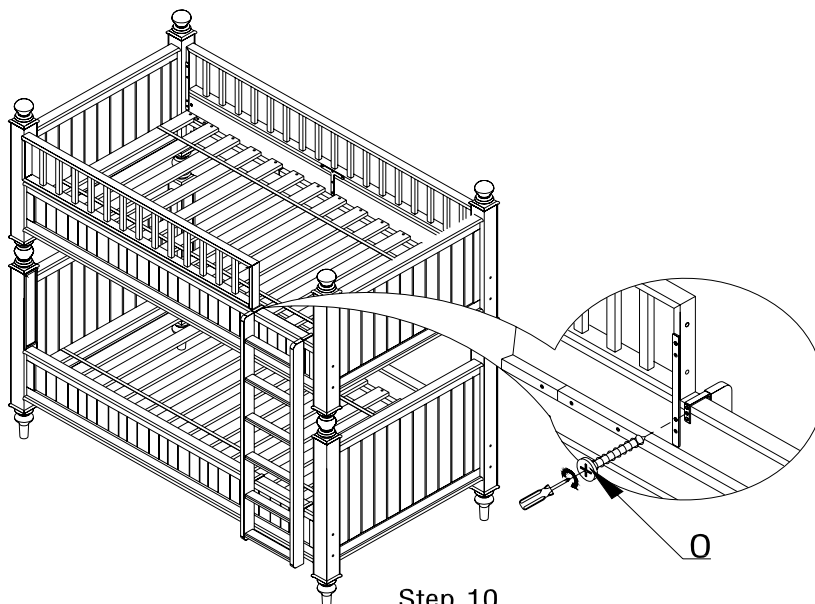
10. After both bunks are assembled, set the upper bunk on top of the lower bunk by placing the pre-drilled holes in the bottom of upper bunk bed posts over Thread dowels.



Step 9

Step #10

11. Attach ladder to side of both topside rail and bottom side rail as shown by placing ladder bracket over side rails and fastening with the (O) remaining small Phillips head screws.
12. Retighten all bolts and screws to make sure all are tight and bunk bed structures is rigid, It is recommended all bolts and screws be checked from time to time for safety.



Step 10