

pottery barn kids

CAMERON PLATFORM BED QUEEN





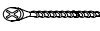
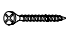

IMPORTANT SAFETY INSTRUCTIONS:

Please read all instructions carefully before assembling.
For your safety, assembly by two people is recommended.

PARTS INCLUDED:

- (1) Platform bed HB (A)
- (1) Platform bed FB (B)
- (2) Side rail (C)
- (1) Slat (D)
- (1) Support slat (E)
- (3) Support center (F)

HARDWARE ENCLOSED:

- (1) Allen Key (G) 
- (8) ¼" x 28mm Allen Bolt (H) 
- (8) ¼" Spring Washer (I) 
- (8) ¼" Flat Washer (J) 
- (30) 4 x 30mm Long Wooden Screws (K) 
- (8) 4 x 15mm Short Wooden Screws (L) 
- (2) "L" Bracket (M) 

PRE-ASSEMBLY:

- Remove all parts and hardware from the box and lay out on a clean, carpeted, or scratch-free work surface, as this will avoid damaging any parts during assembly. The shipping box provides an ideal work surface. Do not dispose of any contents until assembly is completed to avoid accidentally discarding small parts or hardware.
- Use the parts and hardware lists above to identify and separate each of the pieces included.
- The illustrations provided allow for easier assembly when used in conjunction with the assembly instructions.
- Note: Do not fully tighten all bolts until all parts are in place. Failure to follow these instructions may cause the bolts to misalign during assembly.
- If using power tools to aid in assembly please use caution. Power tools can damage hardware or split wood.

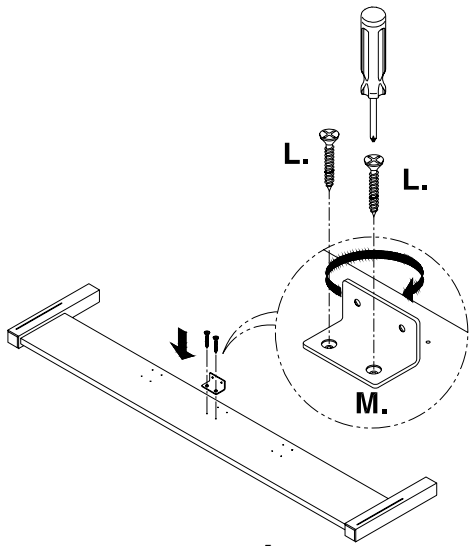
ASSEMBLY INSTRUCTIONS:

1. Secure L Bracket (M) onto the desired position on Storage Headboard (A) and Footboard (B) using (4) screws (L) provided as shown.
2. Determine the desired location of bed. One person should hold the headboard (A) in a vertical position tilted slightly forward. Attach each side rail (C) to the headboard by inserting the hooked ends of the side rail into the corresponding slots in the headboard, as shown. Be sure the small ledge on each side rail is facing inward. Repeat with footboard (B).
3. Secure Center Support (F) with Support Slat (E) using (6) Allen Bolts, Flat Washers & Spring Washers. Note: The correct order for the washers to go on the Allen Bolt is: Spring Washer first, Flat Washer second. Please see diagram.
4. Place Center Support (F) and Support Slat (E) assembled piece onto platform bed using (4) screws (L) provided to secure with L Bracket (M) as shown.
5. Place the Slat roll (D) and secure with (28) screws provided and secure Center Support using (2) Allen Bolts, Flat Washers & Spring Washers.

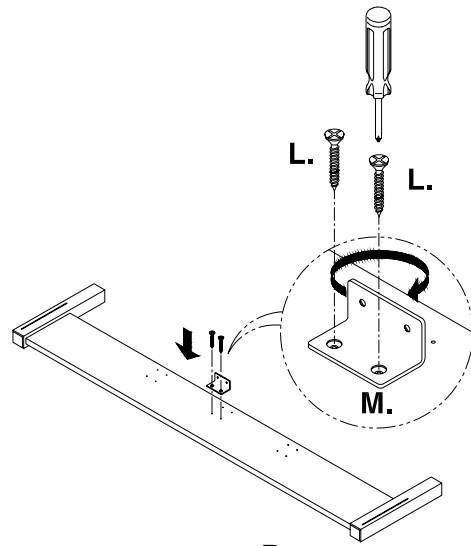
CARE INSTRUCTIONS:

- Dust with a clean, soft cloth.
- Avoid the use of chemicals and harsh cleaning agents.
- Do not climb on the Cubby.

Thank you for your purchase.



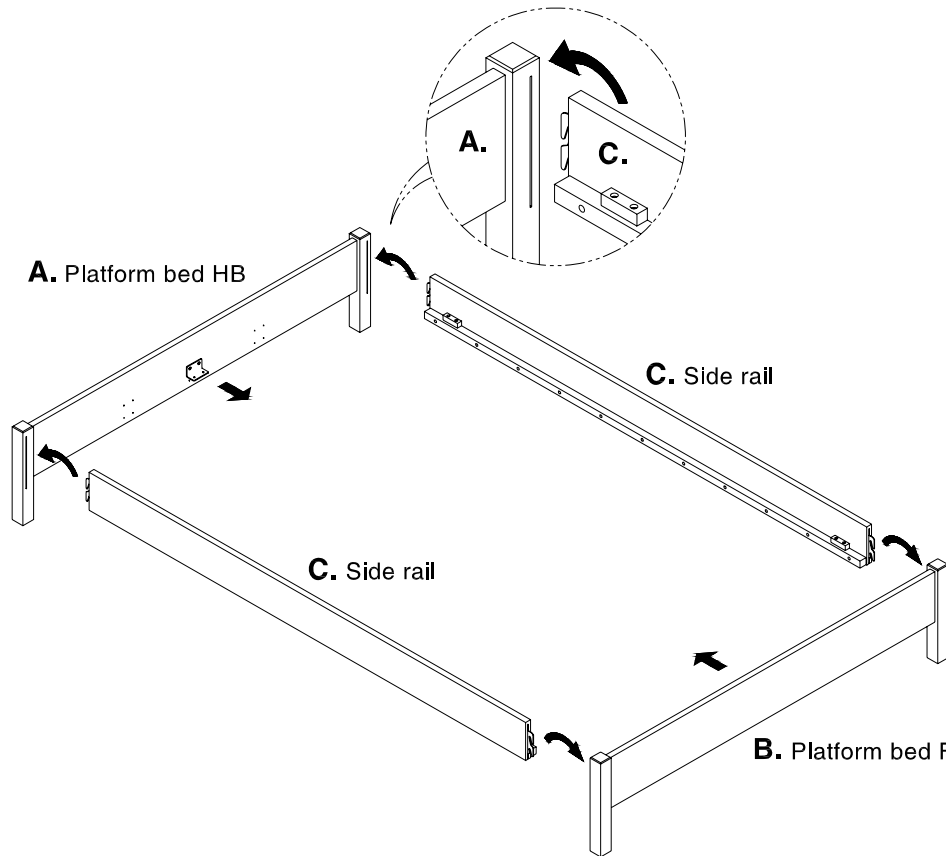
A. Platform bed HB



B. Platform bed FB

1.

2.



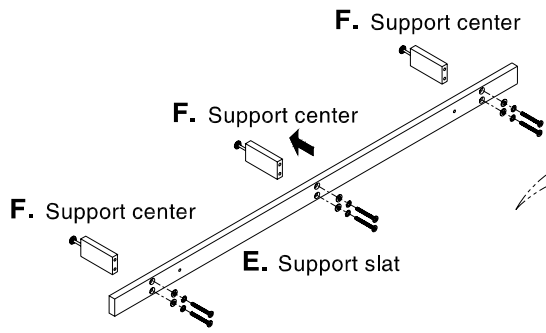
3.

A. Platform bed HB

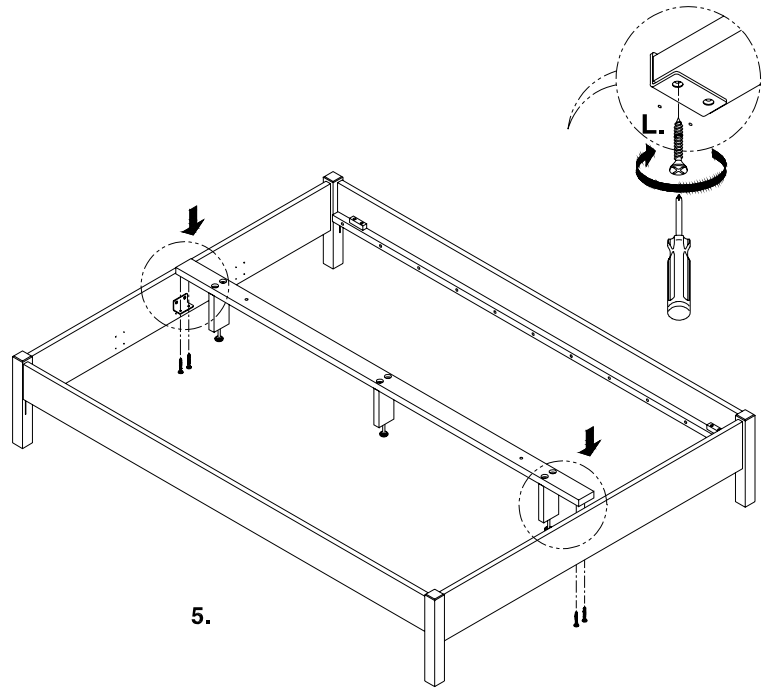
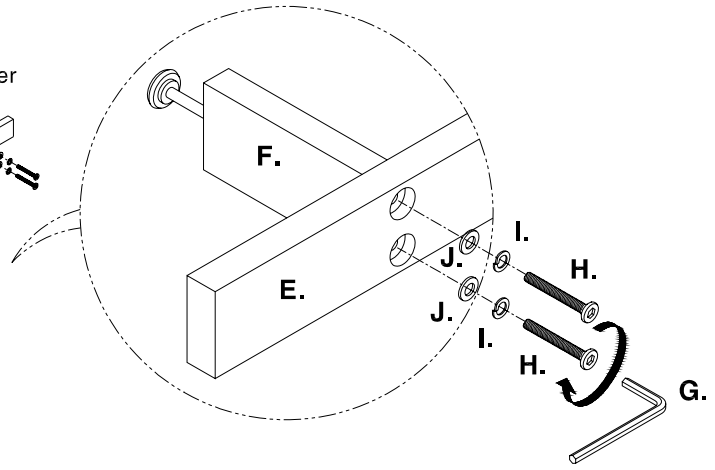
C. Side rail

C. Side rail

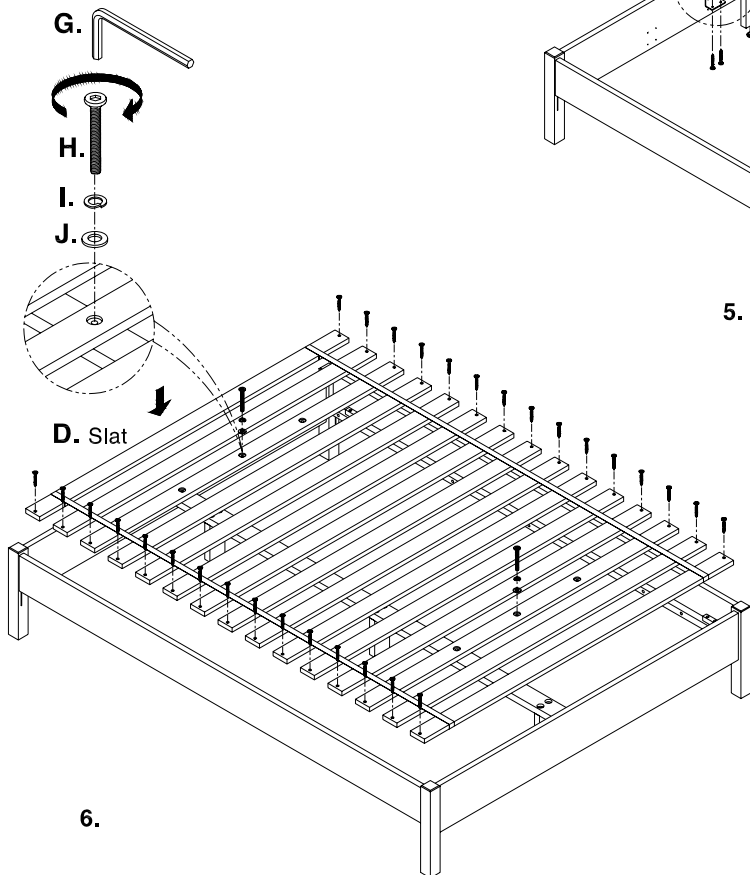
B. Platform bed FB



4.



5.



6.

