

pottery barn kids

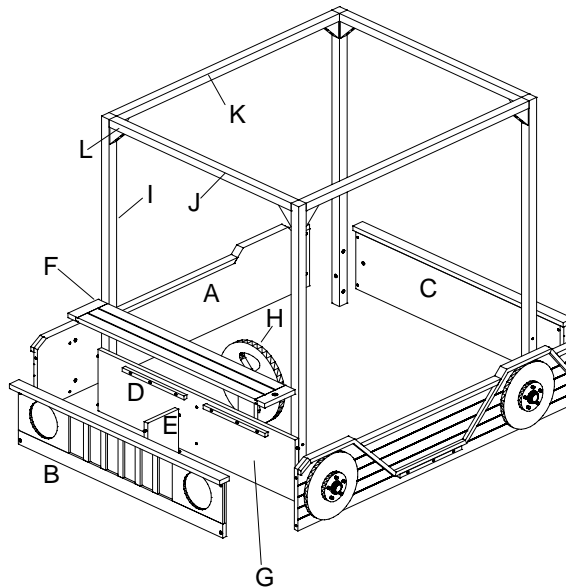
SAFARI SANDBOX

PRE-ASSEMBLY:

- Read all instructions before beginning assembly. The illustrations provided allow for easier assembly when used in conjunction with the assembly instructions.
- For your safety and ease, assembly by two adults is recommended.
- Remove all part and hardware from the box and lay out on a clean, carpeted, or scratch- free work surface. Use care as some parts or hardware may have sharp points or edges.
- Do not dispose of any contents until assembly is completed to avoid accidentally discarding small parts and hardware.
- Use the parts and hardware lists to identify and separate each of the pieces included.
- Note: Do not fully tighten all bolts until all parts are in place. Failure to follow these instructions may cause the bolts misalign during assembly.
- The use of power tools for assembly is not recommended. Power tools can damage hardware or split wood.

PARTS INCLUDED:

(A) Side pieces	2Pcs
(B) Front piece	1Pc
(C) Back piece	1Pc
(D) Front center	1Pc
(E) Center panel	1Pc
(F) Top panel	1Pc
(G) Wheel support	1Pc
(H) Wheel	1Pc
(I) Awning Poles	4Pcs
(J) Front/Back Bars	2Pcs
(K) Side Bars	2Pcs
(L) Triangle Support	8Pcs

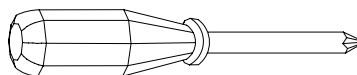


HARDWARE INCLUDED:

(M) Long Bolt 60mm	(1)	
(N) Medium Bolt 50mm	(12)	
(O) Small Bolt 30mm	(12)	
(P) Plastic Ring	(1)	
(Q) Metal Ring	(2)	
(R) Nut	(1)	
(S) Metal sleeve	(1)	
(T) Screws	(16)	
(U) 4mm Allen Key	(1)	
(V) Wrench	(1)	
(W) Plastic tarp	1Pc	

TOOLS REQUIRED:

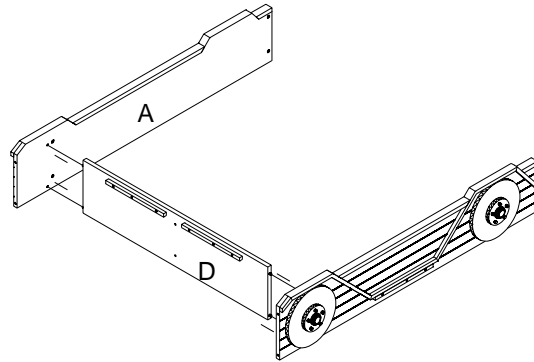
Phillips head screwdriver (not included)



ASSEMBLY INSTRUCTIONS :

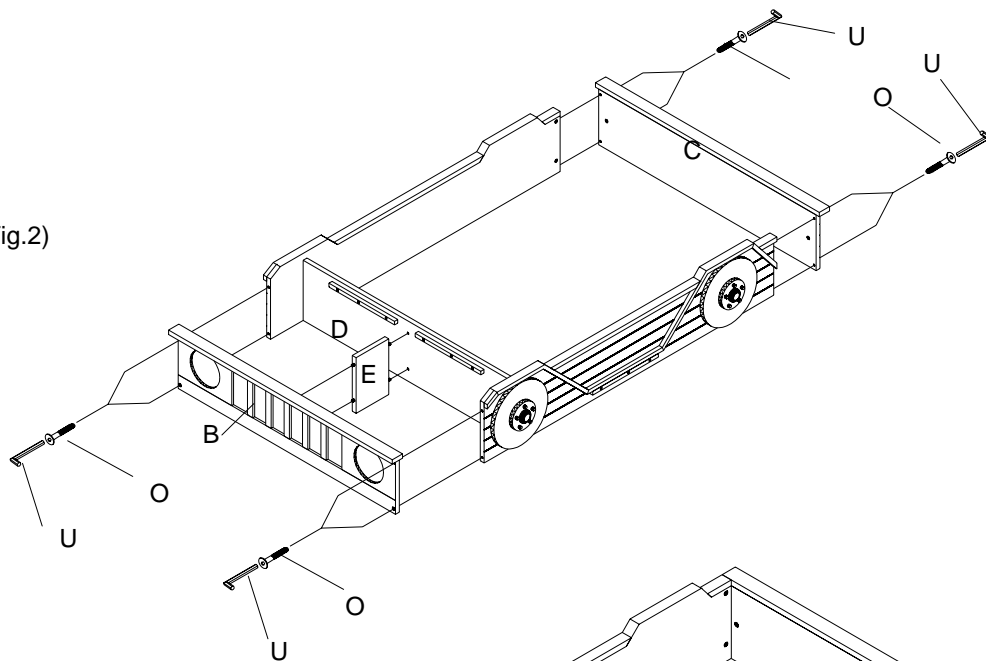
1. Assemble the Front Center piece (D) to the side panels (A), as shown, by connecting the dowels on the Front Center piece (D) to the pre-drilled holes in the side panels (A).

(Fig.1)



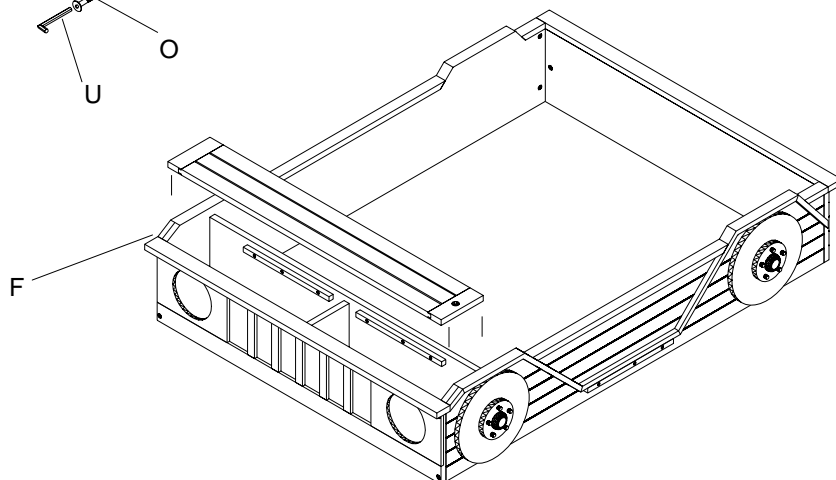
2. Align the dowels in the Center Panel (E) to the pre-drilled holes in the Front Center Piece (D) and the Front Piece (B). Assemble Front and Back pieces (B & C) to the side panels (A), and secure using (8) Small bolts (O) and the Allen Key (U).

(Fig.2)



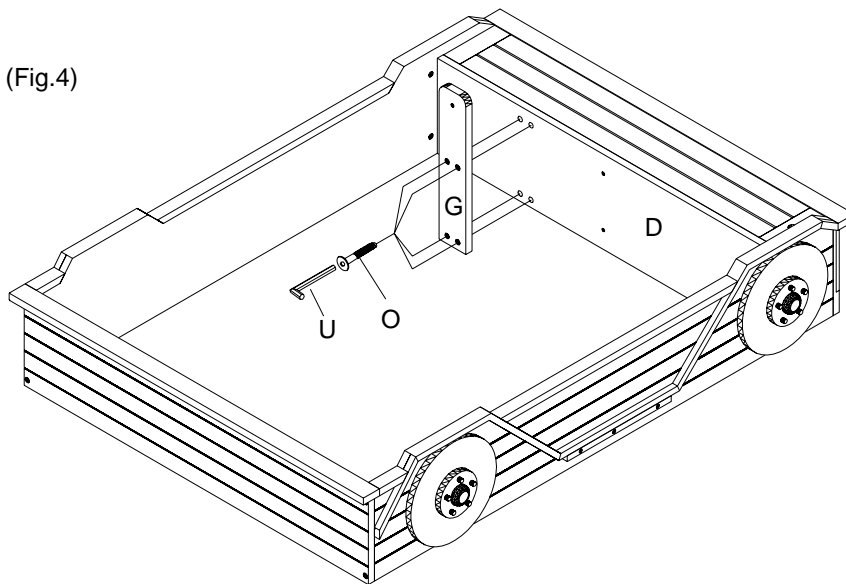
3. Lay down the top panel (F).

(Fig.3)



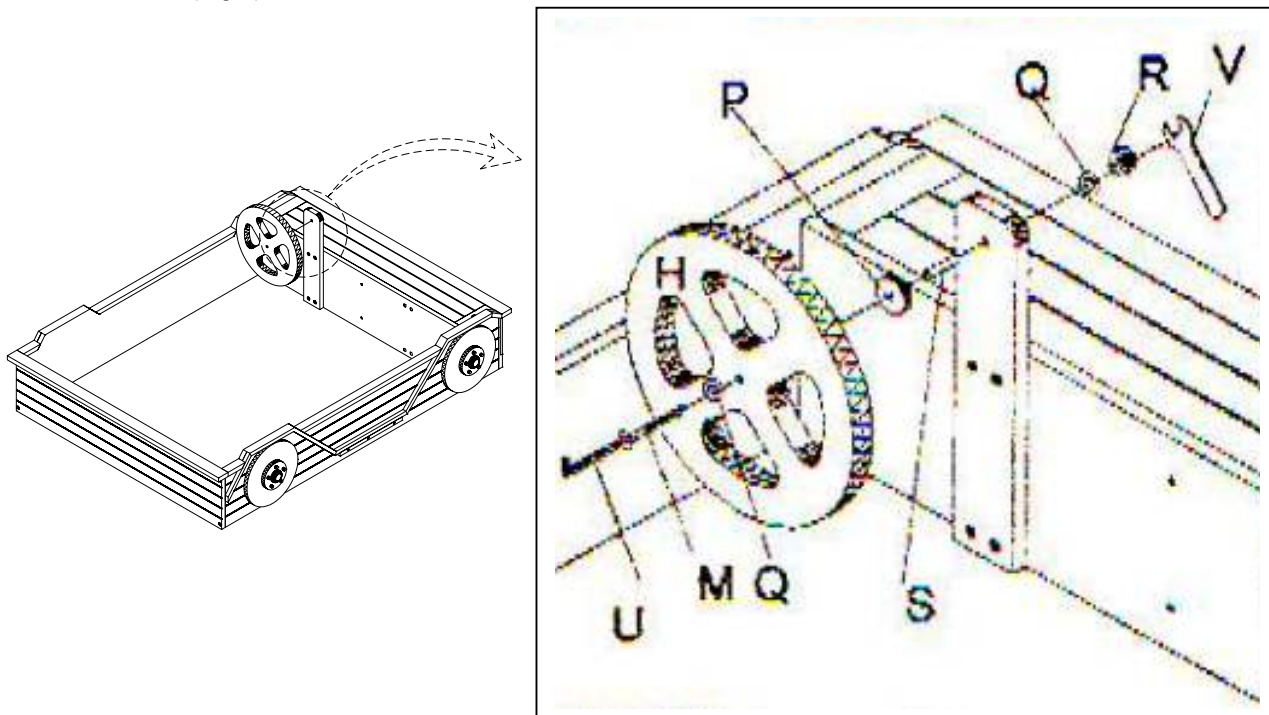
4. Attach the Wheel Support (G) to the Front Center piece (D) using (4) Small bolts (O). Tighten using Allen Key (U).

(Fig.4)



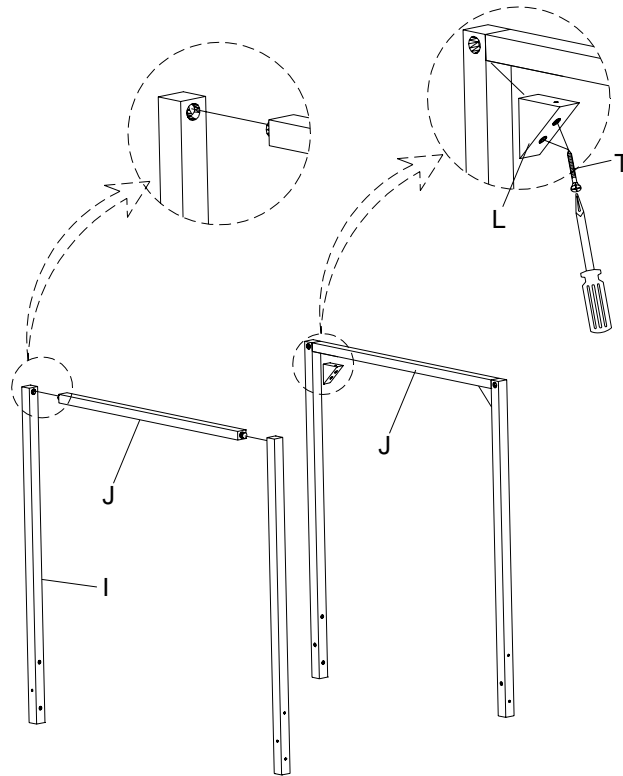
5. To assemble Wheel (H) to the Wheel Support (G), slide (1) Metal Ring (Q) through Large Bolt (M) and insert the Bolt through Wheel (H), as shown in the figure below. Then, slide (1) Plastic Ring (P) and (1) Metal Sleeve (S), onto the Bolt. Insert the Bolt through the Wheel Support (G) from the inside of the sandbox, as shown. On the other side of the Wheel Support (G), insert (1) Metal Ring (Q) and (1) Nut (R) onto the Bolt. Tighten using Allen Key (U) and Wrench (V).

(Fig.5)

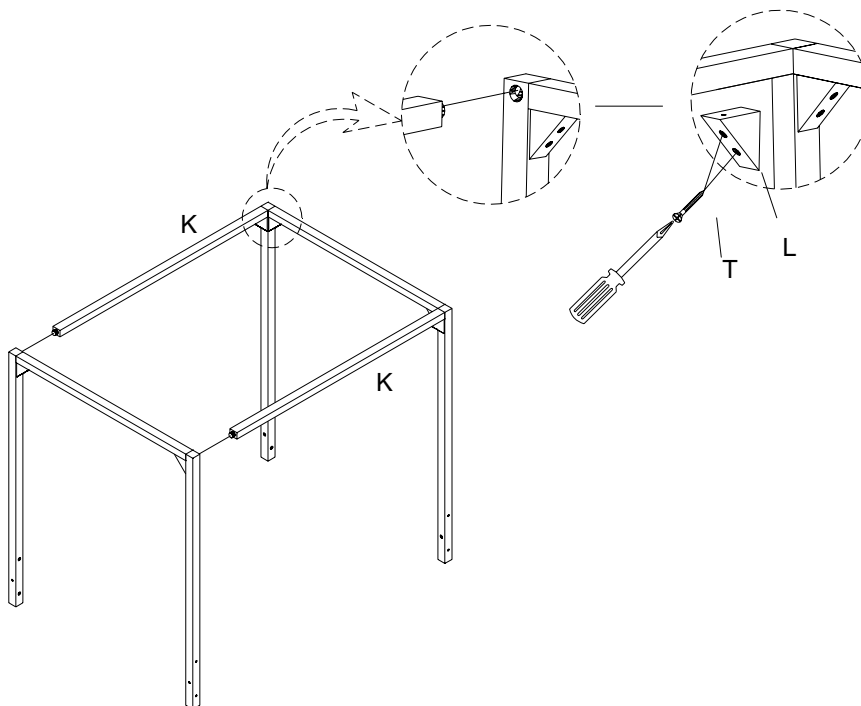


- Assemble the Awning Poles (I) and Front/Back bars (J) and secure Triangle Blocks (L) to the corners using Screws (T) and Phillips Head Screwdriver, as shown.

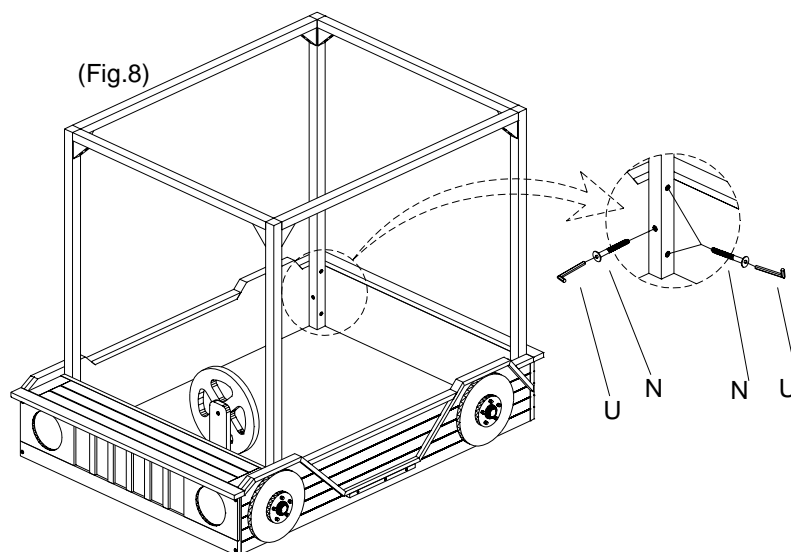
(Fig.6)



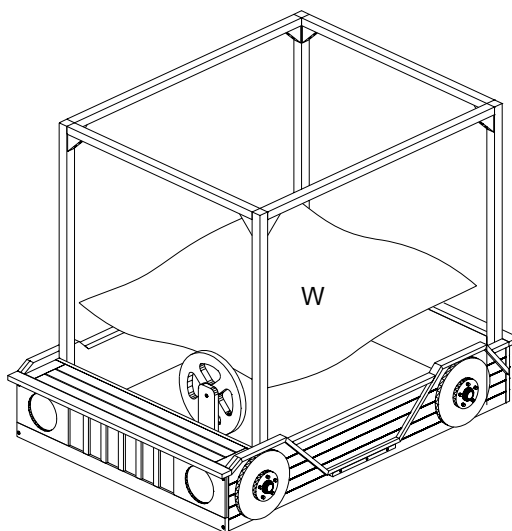
- Assemble the Side Bars (K) to the Awning Poles (I), by inserting the dowels into the predrilled holes as shown. Then attach with Triangle Blocks (L) using Screws (T) and Phillips Head Screwdriver, as shown (Fig.7)



8. Place the assembled awning poles to the boat frame and secure it with (3) Medium bolts on each side, as shown. Tighten using Allen Key (U).



9. Lay down the plastic tarp (W) to the center of sandbox.



CARE INSTRUCTIONS:

- For daily care wipe with a soft dry cloth. Blot Spills immediately and wipe with a clean dry cloth.
- Store in a dry, covered area when not in use.
- We do not recommend the use of chemical cleansers, abrasives, or furniture polish.
- Over time, the product may begin to turn gray. To nourish the wood, wash with soap and water. When dry, apply a coating of teak oil with a clean cloth. Remove excess oil by blotting with a soft, clean cloth.

Thank you for your purchase
Stores | catalog | www.potterybarnkids.com
USA 1.800.290.8181