

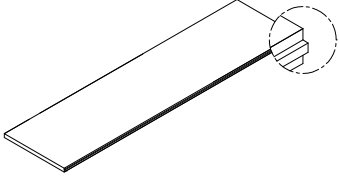
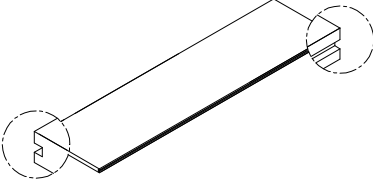
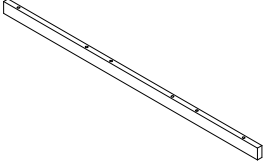
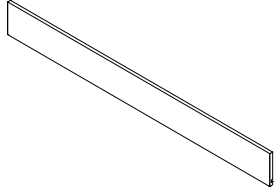
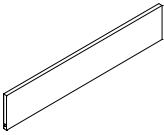
# pottery barn kids

## SAWYER SLEIGH BED TRUNDLE

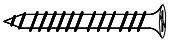
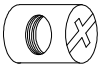
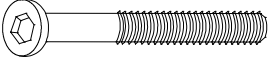



### PRE-ASSEMBLY:

- Please read all instructions before beginning assembly. The illustrations provided allow for easier assembly when used in conjunction with the assembly instructions.
- For your safety and ease, assembly by two adults is recommended.
- Remove all parts and hardware from box and lay out on a carpeted or scratch-free work surface, as this will avoid damaging any parts during assembly. The shipping box provides an ideal work surface. Do not dispose of any contents until assembly is completed to avoid accidentally discarding small parts or hardware.
- Use the parts and hardware lists to identify and separate each of the pieces included.
- Note: Do not fully tighten all bolts until all parts are in place. Failure to follow these instructions may cause the bolts to misalign during assembly.
- The use of power tools for assembly is not recommended. Power tools can damage hardware or split wood.

### PARTS INCLUDED:

A - Side Bottom Board with Protruding Edge at one side (2 pcs)	B - Middle Bottom Board with Sunken Edge at both side (1 pcs)	C - Wooden Rail (2 pcs)
		
D - Long Side Rail (2 pcs)	E - Short Side Rail (2 pcs)	
		

### HARDWARE INCLUDED:

F - Phillip Head Screw #8x30 mm (22 pcs)	G - Barrel Nut 6x13x10mm (8 pcs)	H - Allen Bolt M6 x 60 mm (8pcs)
		
I - Caster 40x60x70mm (6 pcs)	J - Pan Head Screw #4 x 12 mm (24 pcs)	K - Allen Key M6 (1 pcs)
		

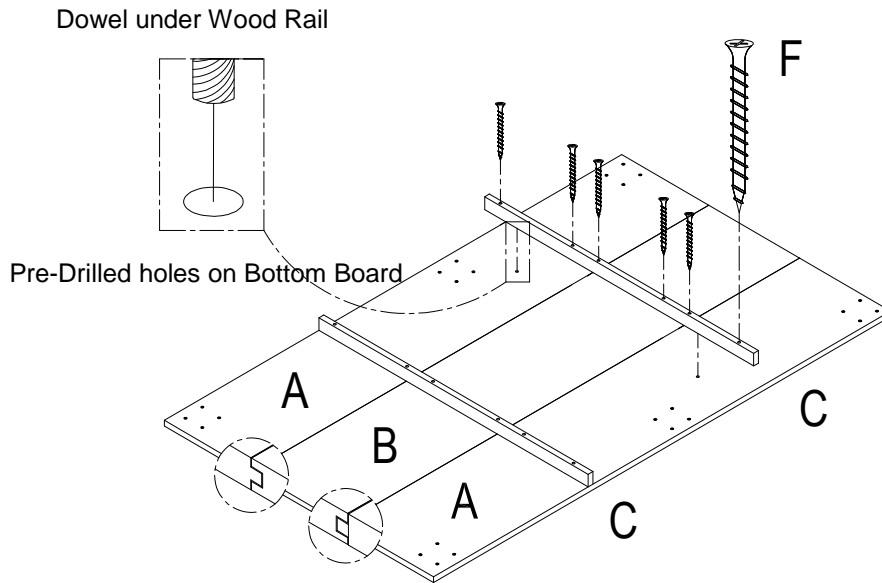
### TOOLS REQUIRED:

Phillips Head Screwdriver (Not included)

ASSEMBLY INSTRUCTIONS:

1. Slot the Middle Bottom Board (B) into the Side Bottom Boards (A) with the pre-drilled holes on the Side Bottom Boards facing up. Attach the Wooden Rails (C) by inserting the wood dowels on the Rails into the pre-drilled holes on the Side Bottom Boards (A) as shown. Secure with (12) Phillips Head Screws (F) using Screwdriver. See Fig. 1.

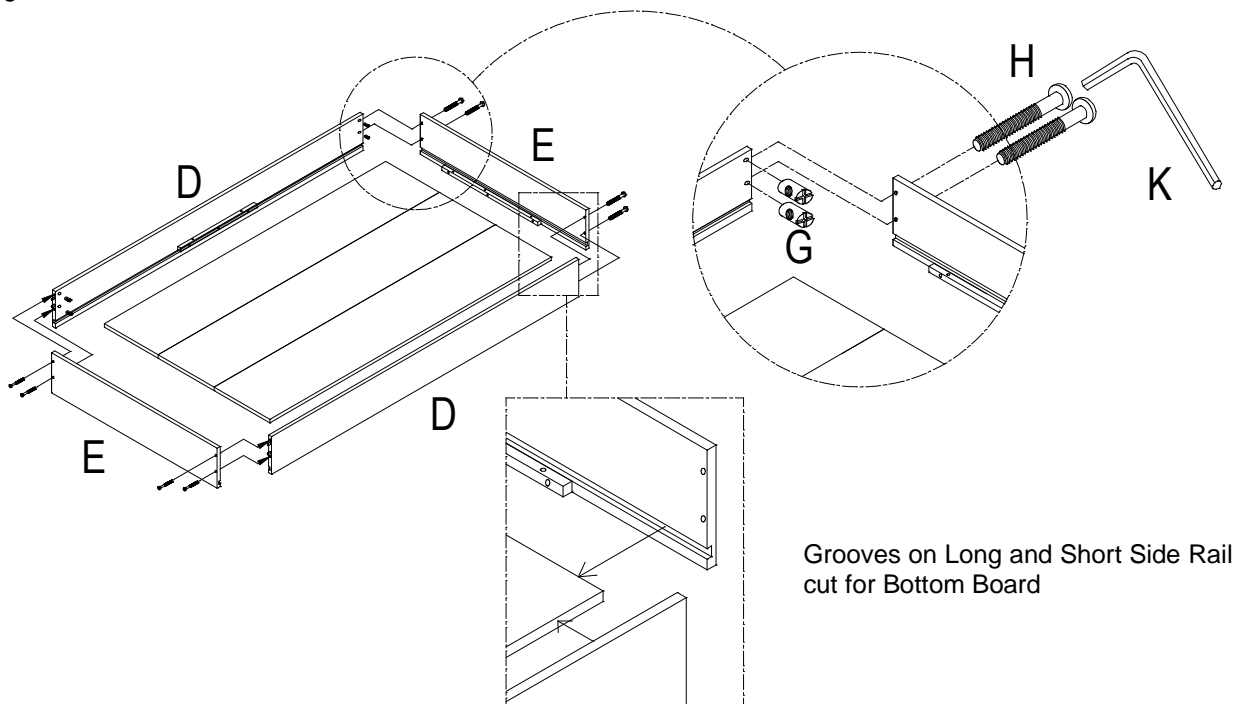
Fig. 1



2. Turn the assembled bottom boards over. Insert the Long Side Rails (D) and Short Side Rails (E) into the slots in the bottom boards as shown. Connect rails by using two (2) Barrel Nuts (G) and two (2) Allen Bolts (H) at each corner, as shown in Figure 2. Secure Allen Bolts with enclosed Allen Key (K).

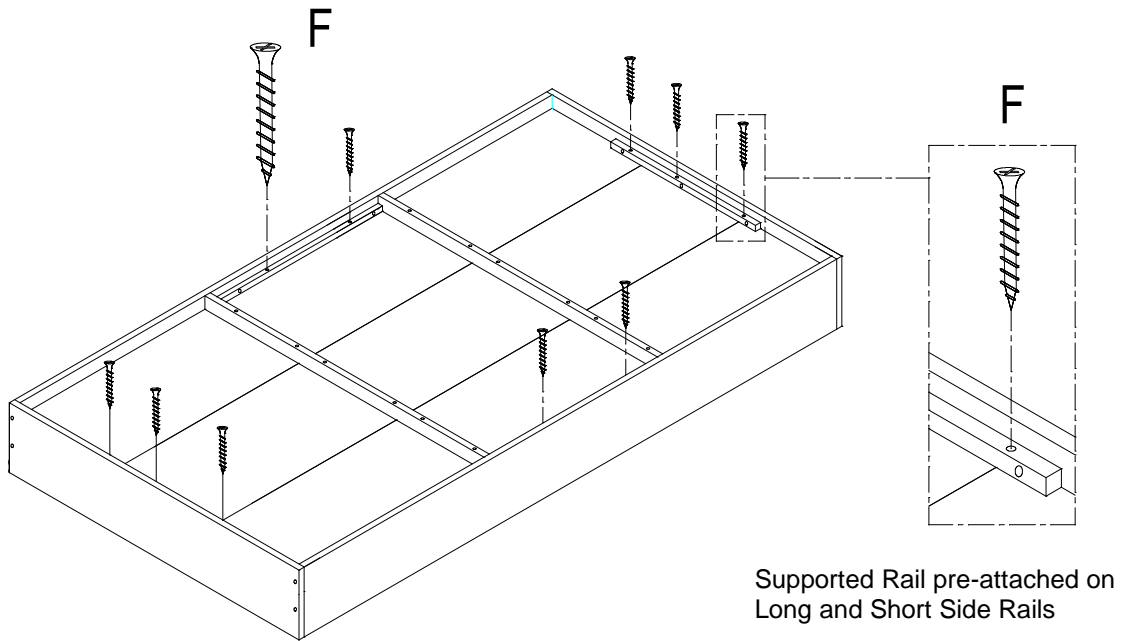
**Note:** To access the bottom Barrel Nut openings, assemble the four upper bolts and then turn the assembled structure on its side to assemble the four bottom bolts. Do not fully tighten until all bolts are in place

Fig. 2



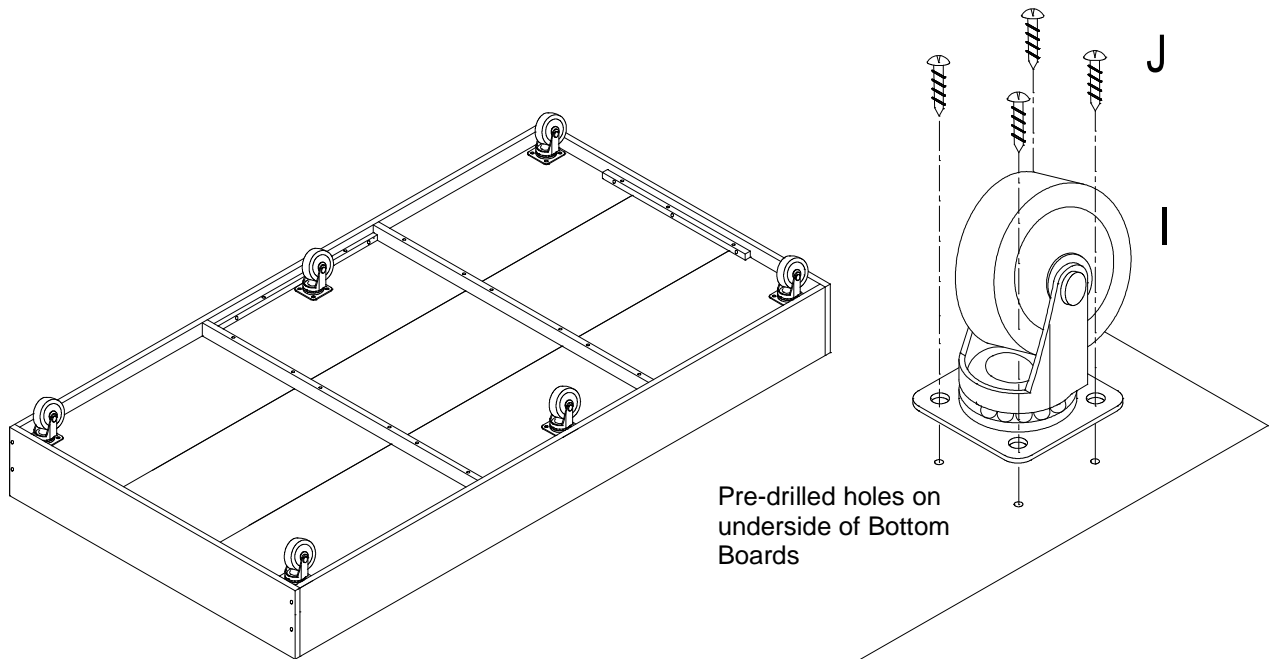
3. Turn assembled trundle upside down. Insert the remaining (10) Phillips Head Screws (F) into the predrilled holes on the Long and Short Side Rails as shown in Figure 3. Secure with a Phillips Head Screwdriver.

Fig. 3



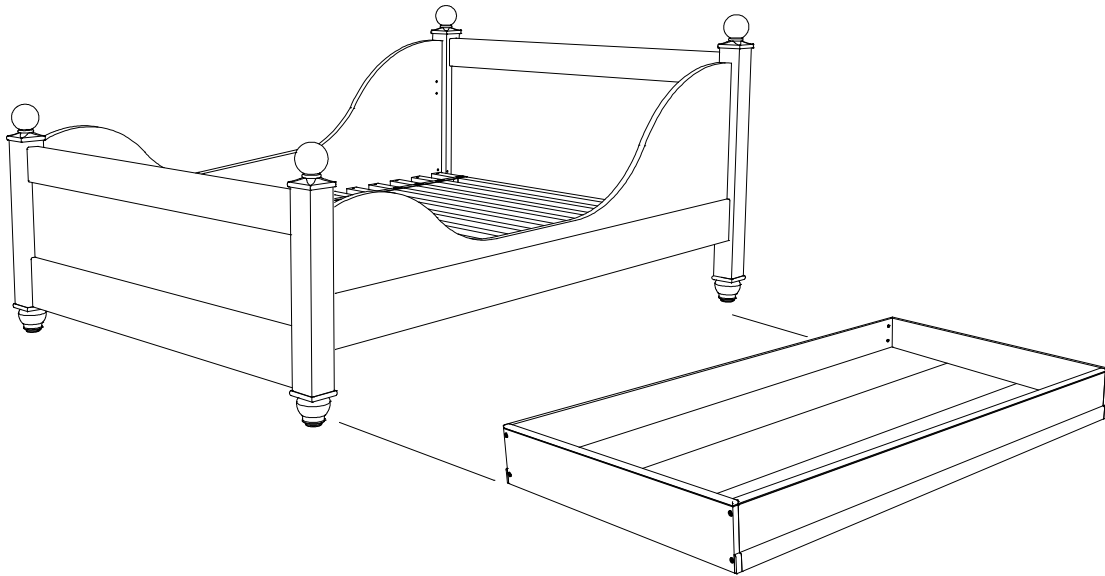
4. Attach the (6) Casters (I) to the pre-drilled holes using four (4) Pan Head Screws (J) for each caster. Secure with Screwdriver. See Fig. 4.

Fig. 4



5. Turn the Trundle upright. Align it with the space under the Bed. Slowly move it into the bed, taking care not to scratch the finish. See Fig. 5.

Fig. 5



6. Assembly is completed

#### CARE INSTRUCTIONS:

- Dust often using a clean, soft, dry lint-free cloth.
- Blot spills immediately, and wipe with a clean, damp, cloth.
- We do not recommend the use of chemical cleansers, abrasives or furniture polish on our lacquered.

Thank you for your purchase  
stores | catalog | [www.potterybarnkids.com](http://www.potterybarnkids.com)  
USA 1.800.290.8181