

pottery barn kids

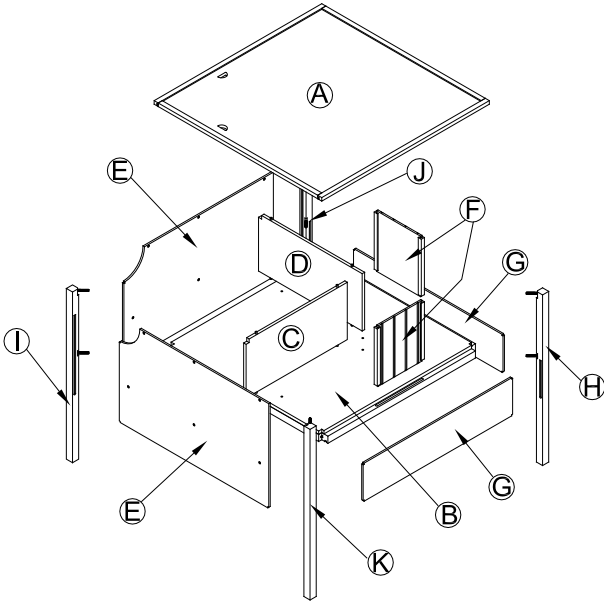
BELDEN CORNER UNIT

PRE-ASSEMBLY:

- Please read all instructions before beginning assembly.
- For your safety and ease, assembly by two adults is recommended.
- Remove all parts and hardware from box and lay out on a carpeted or scratch-free work surface, as this will avoid damaging any parts during assembly. The shipping box provides an ideal work surface.
- Do not dispose of any contents until assembly is completed to avoid accidentally discarding small parts or hardware.
- Use the parts and hardware lists to identify and separate each of the pieces included.
- Note: Do not fully tighten all bolts until all parts are in place. Failure to follow these instructions may cause the bolts to misalign during assembly.
- The use of power tools for assembly is not recommended. Power tools can damage hardware or split wood.

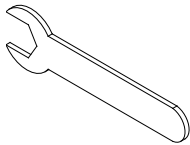
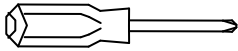
PARTS INCLUDED:

- A – Top panel (x1)
- B – Bottom panel (x1)
- C – Short divider (x1)
- D – Long divider (x1)
- E – Back panel (x2)
- F – Beadboard upper front panel (x2)
- G – Lower front panel (x2)
- H – Leg (x1)
- I – Leg (x1)
- J – Leg (x1)
- K – Leg (x1)



TOOLS REQUIRED:

- Phillips head screwdriver (not included)
- L – Wrench 88x13x2mm (included)



HARDWARE:

M – Hex Nut 5/16"x12.8x6mm (x8)



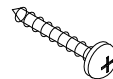
N – spring washer 5/16"x13x2mm (x8)



O – Flat washer 5/16"x18x2mm (x8)

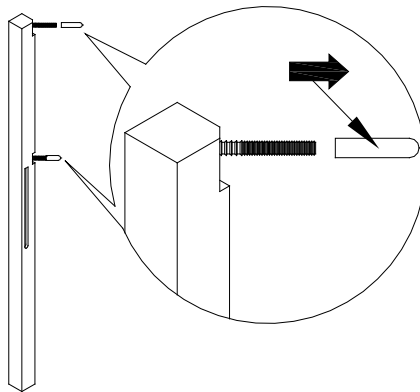


P – Pan Head screw 8x19mm (x12)

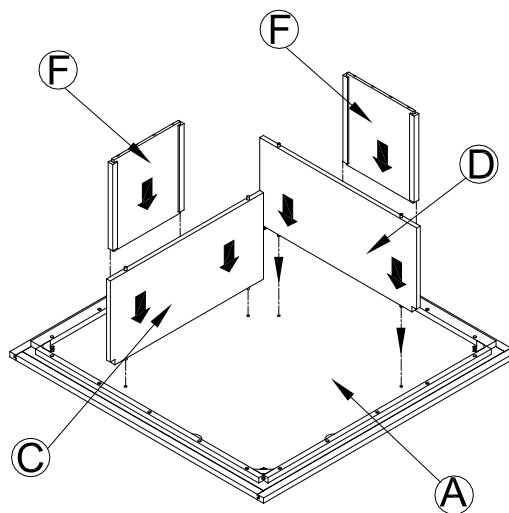


ASSEMBLY INSTRUCTIONS:

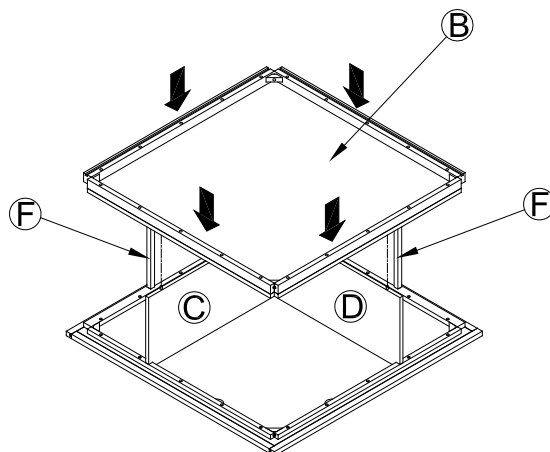
1. Take out all parts from package and lay them on a carpeted scratch free surface. Remove plastic covers from hanger bolts on Legs (H, I, J, K).



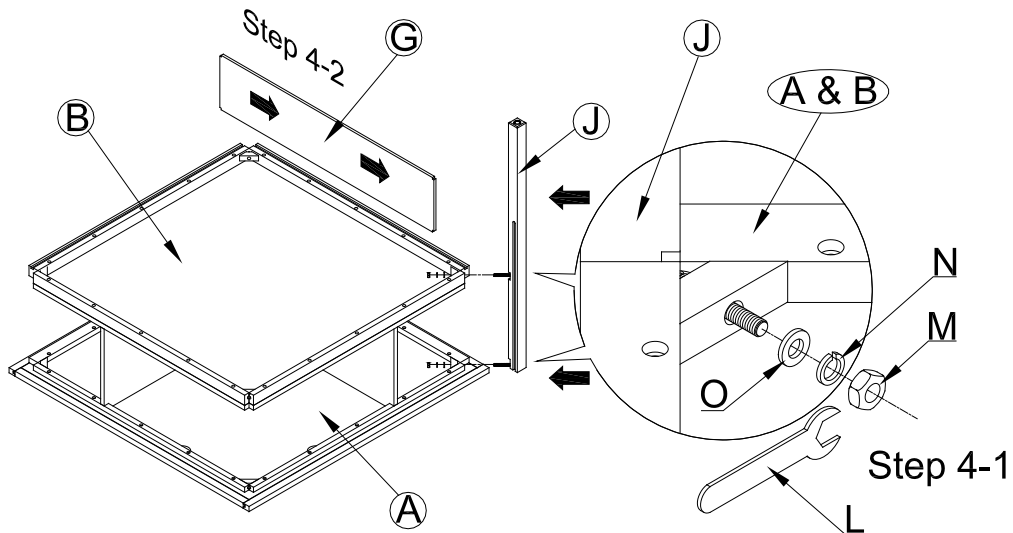
2. Lay Top Panel (A) upside down, insert 1pc Short Divider(C), 1pc Long Divider (D), 2pcs Beadboard **Upper** Front Panels (F) to the Top panel (A) as shown below, make sure wooden dowels on dividers (C&D) and panels (F) fix tight in holes at the bottom of Top Panel(A) and beadboard detail on panels (F) facing outwards..



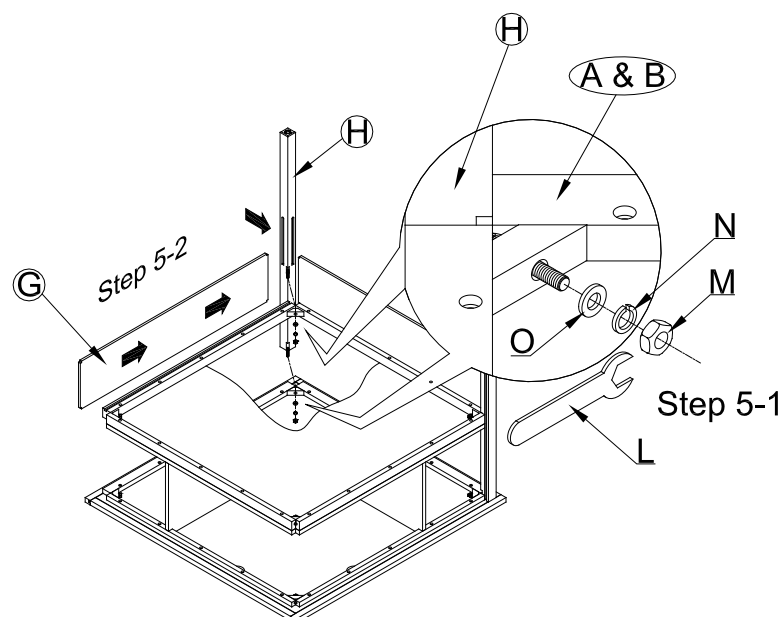
3. Put Bottom panel (B) onto Short Divider(C), Long Divider (D), Beadboard Front Panels (F) by aligning pre-drilled in Bottom Panel (B) to wooden dowels on dividers (C&D) and panels (F) as shown below.



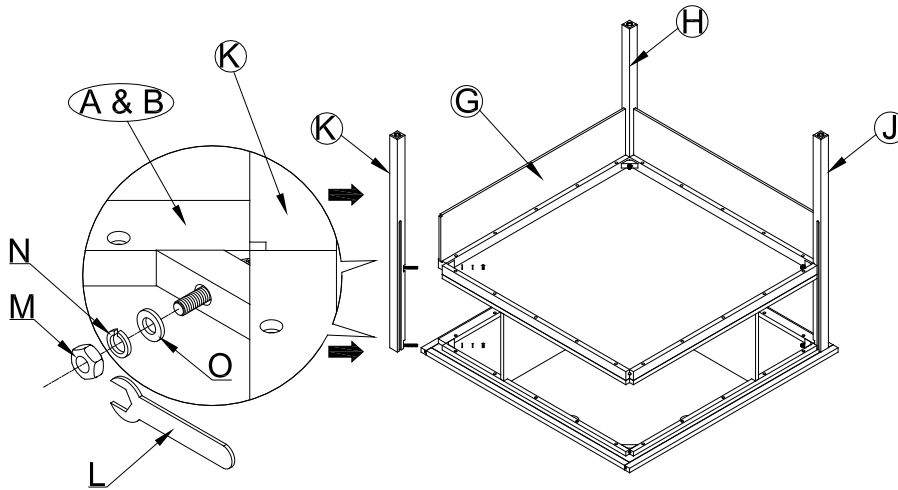
4. Insert hanger bolts on Leg (J) through pre-drilled holes in corner blocks on Top panel (A) and Bottom Panel (B); Make sure the short slot on Leg (J) and slot underneath Bottom Panel (B) are on same side. Slide a Flat washer (O), a spring washer (N), and a Hex nut (M) onto each hanger bolt as shown in figure Step 4-1; loosely tighten Hex nuts (M) with wrench (L). Place a Lower Front Panel (G) into slots underneath Bottom Panel (B) and Leg (J) as shown in figure Step 4-2.



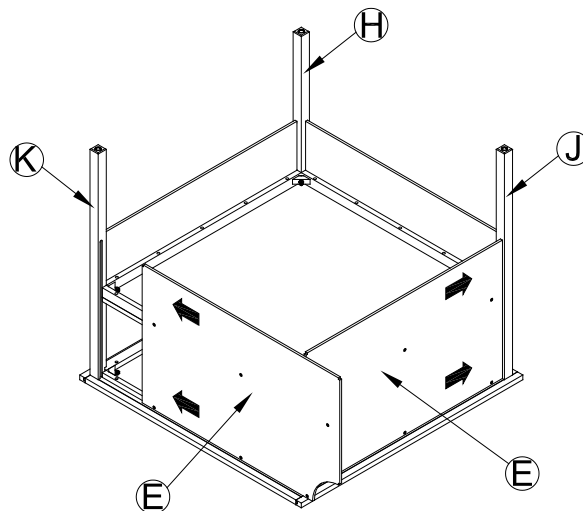
5. Attach Leg (H) to Top Panel (A) and Bottom Panel (B); insert hanger bolts on Leg (H) into pre-drilled holes in corner blocks on Top Panel (A) and Bottom Panel (B); make sure the other end of Lower Front Panel (G) sits in the slot in Leg (H). Slide a Flat washer (O), a spring washer (N), and a Hex nut (M) onto each hanger bolt as shown in figure Step 5-1; loosely tighten Hex nuts (M) with wrench (L). Place another Lower Front Panel (G) into the other slots underneath Bottom Panel (B) and Leg (H) as shown in figure Step 5-2.



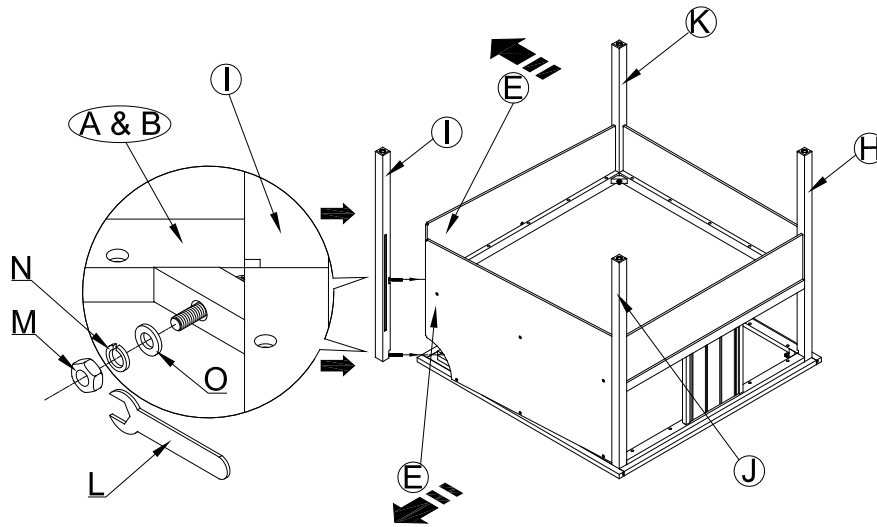
6. Attach Leg (K) to Top Panel (A) and Bottom Panel (B); insert hanger bolts on Leg (K) into pre-drilled holes in corner blocks on Top Panel (A) and Bottom Panel (B); make sure the other end of Lower Front Panel (G) sits in the short slot in Leg (K). Slide a Flat washer (O), a spring washer (N), and a Hex nut (M) onto each hanger bolt as shown below; loosely tighten Hex nuts (M) with wrench (L).



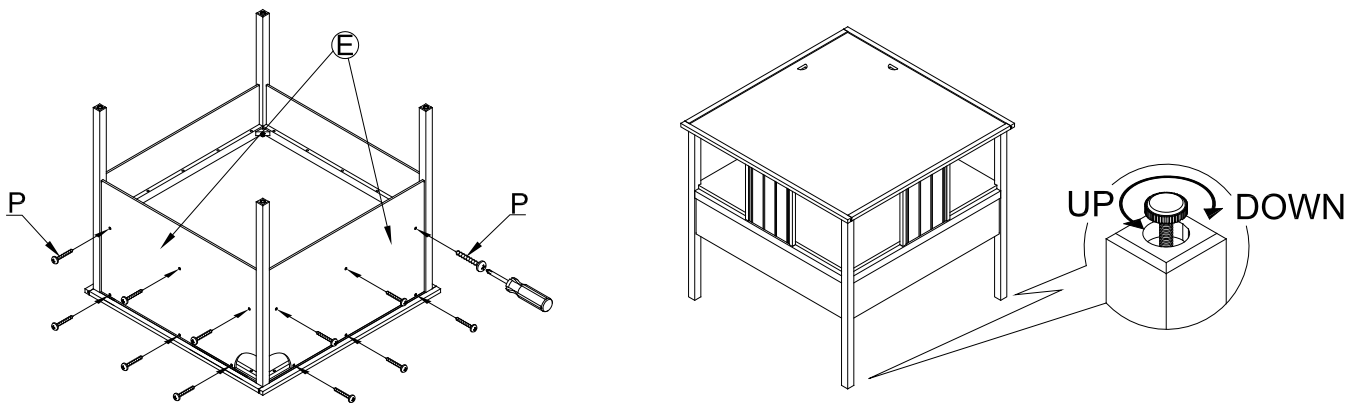
7. Slide 2pcs Back Panels (E) into the long slots in Leg (J, K); make sure Back Panels (E) also sit in slots underneath Top Panel (A) and the side with quarter round notch right below the last corner of Top Panel (A) as shown below.



8. Attach Leg (I) to Top Panel (A) and Bottom Panel (B); insert hanger bolts on Leg (I) into pre-drilled holes in corner blocks on Top Panel (A) and Bottom Panel (B); make sure the other ends of Back Panels (E) sits in the slots in Leg (I). Slide a Flat washer (O), a spring washer (N), and a Hex nut (M) onto each hanger bolt as shown below; Tighten ALL Hex nuts (M) with wrench (L).



9. Fix Back Panels (E) with 12pcs Pan Head screws (P) as shown below, use pre-drilled holes in Back Panels (E) as guidance. Turn the unit right side up. There are levelers underneath each leg can be used to balance the corner unit if needed.



CARE INSTRUCTIONS:

- Dust often using a clean, soft, dry lint-free cloth.
- Blot spills immediately, and wipe with a clean, damp, cloth.
- We do not recommend the use of chemical cleansers, abrasives or furniture polish

Thank you for your purchase
stores | catalog | www.potterybarnkids.com

USA 1.800.290.8181