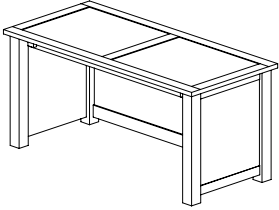


pottery barn kids

CAMERON TOYCHEST TABLE

IMPORTANT SAFETY INSTRUCTIONS:


Please read all instructions carefully before assembling.
For your safety, assembly by two adults is recommended.



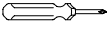
PARTS INCLUDED:

- (A) Tabletop – 1pc
- (B) Left Side Panel – 1pc
- (C) Right Side Panel – 1pc
- (D) Front Panel – 1pc

HARDWARE ENCLOSED:

- (E) Long Wood Screw 4x30mm  – 20pcs

TOOLS REQUIRED:

- Phillips Screwdriver (not included) 

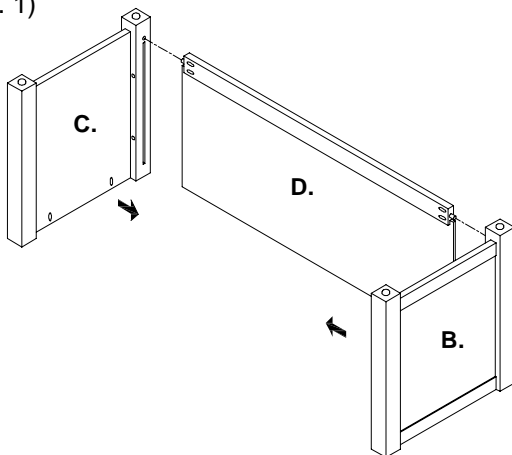
PRE-ASSEMBLY:

- Remove all parts and hardware from the box and lay out on a clean, carpeted, or scratch-free work surface, as this will avoid damaging any parts during assembly. The shipping box provides an ideal work surface. Do not dispose of any contents until assembly is completed to avoid accidentally discarding small parts or hardware.
- Use the parts and hardware lists above to identify and separate each of the pieces included.
- The illustrations provided allow for easier assembly when used in conjunction with the assembly instructions.
- Note: Do not fully tighten all bolts until all parts are in place. Failure to follow these instructions may cause the bolts to misalign during assembly.
- If using power tools to aid in assembly please use caution. Power tools can damage hardware or split wood.

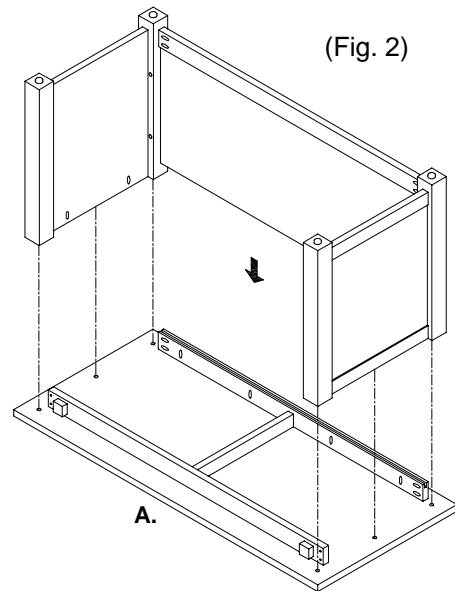
ASSEMBLY INSTRUCTIONS:

1. Attach the Left Side Panel (B) and Right Side Panel (C) to the Front Panel (D). (Fig. 1)
2. Place the Tabletop (A) upside down on a clean, carpeted working surface. Move the assembled piece on the Tabletop (A) and align the dowels on the case on the pre-drilled holes located on the Tabletop (A). (Fig. 2)

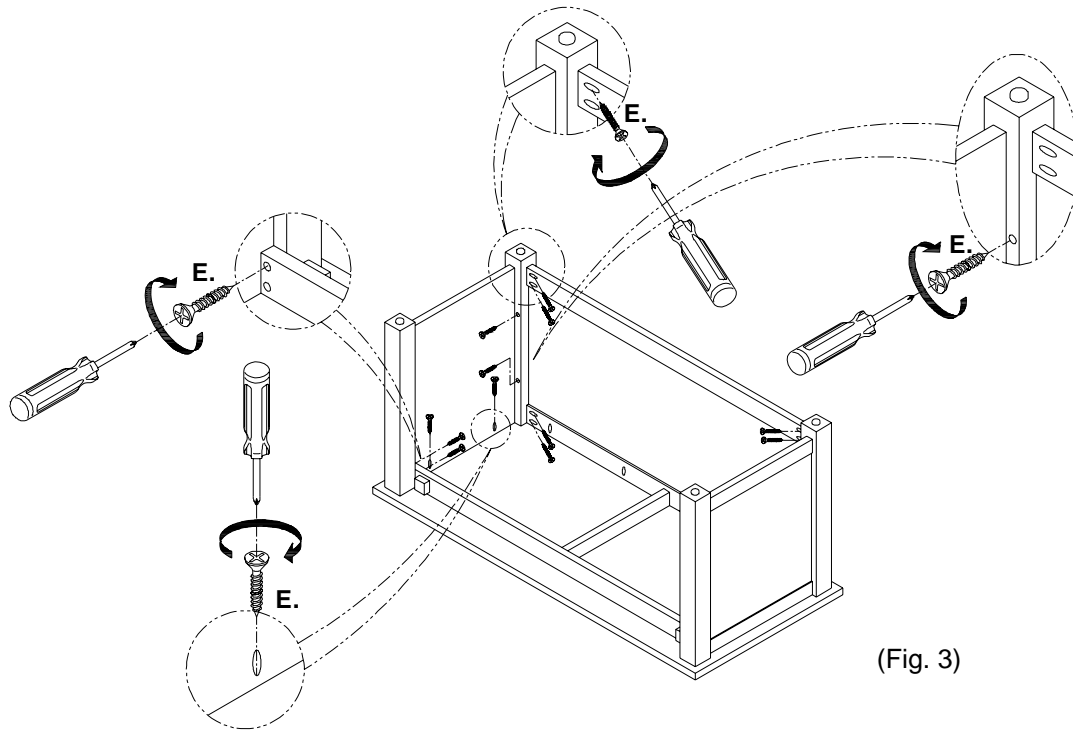
(Fig. 1)



(Fig. 2)



3. Verify the pieces are aligned and fasten the assembled piece using (20) Long Wood Screws (E) and the Phillips head screwdriver (not included) at each corner of the assembly. (Fig. 3)
4. Assembly completed. The remaining hardware is for the Cart assembly.



CARE INSTRUCTIONS:

- Dust often using a clean, soft, dry lint-free cloth.
- Blot spills immediately, and wipe with a clean, damp, cloth.
- We do not recommend the use of chemical cleansers, abrasives, or furniture polish on our lacquered finish.
- Do not stand on the tabletop.

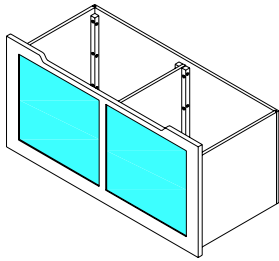
Thank you for your purchase.

pottery barn kids

CAMERON TOYCHEST CART

IMPORTANT SAFETY INSTRUCTIONS:




Please read all instructions carefully before assembling.
For your safety, assembly by two people is recommended.




PARTS INCLUDED:

- (A) Front Panel – 1pc
- (B) Middle Divider – 1pc
- (C) Back Panel – 1pc
- (D) Bottom Panel – 1pc
- (E) Side Panel – 2pcs

HARDWARE ENCLOSED:

- (F) Medium Wood Screw 4 x 25mm  – 28pcs
- (G) Short Wood Screw 3 x 12mm  – 16pcs
- (H) Caster  – 4pcs

TOOLS REQUIRED:

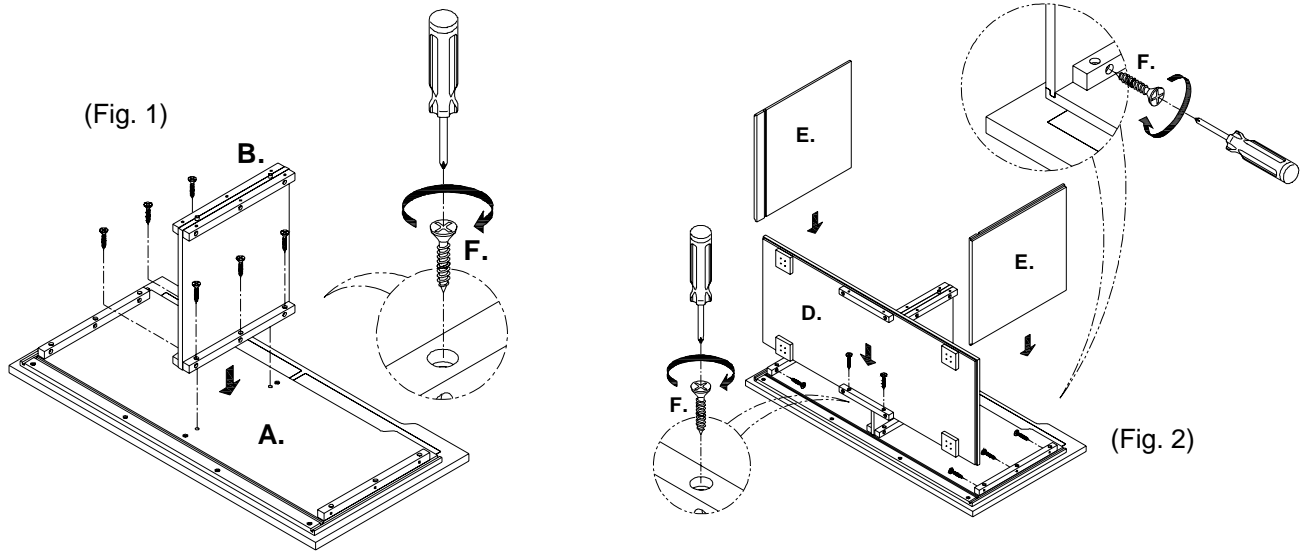
Phillips Screwdriver (not included) 

PRE-ASSEMBLY:

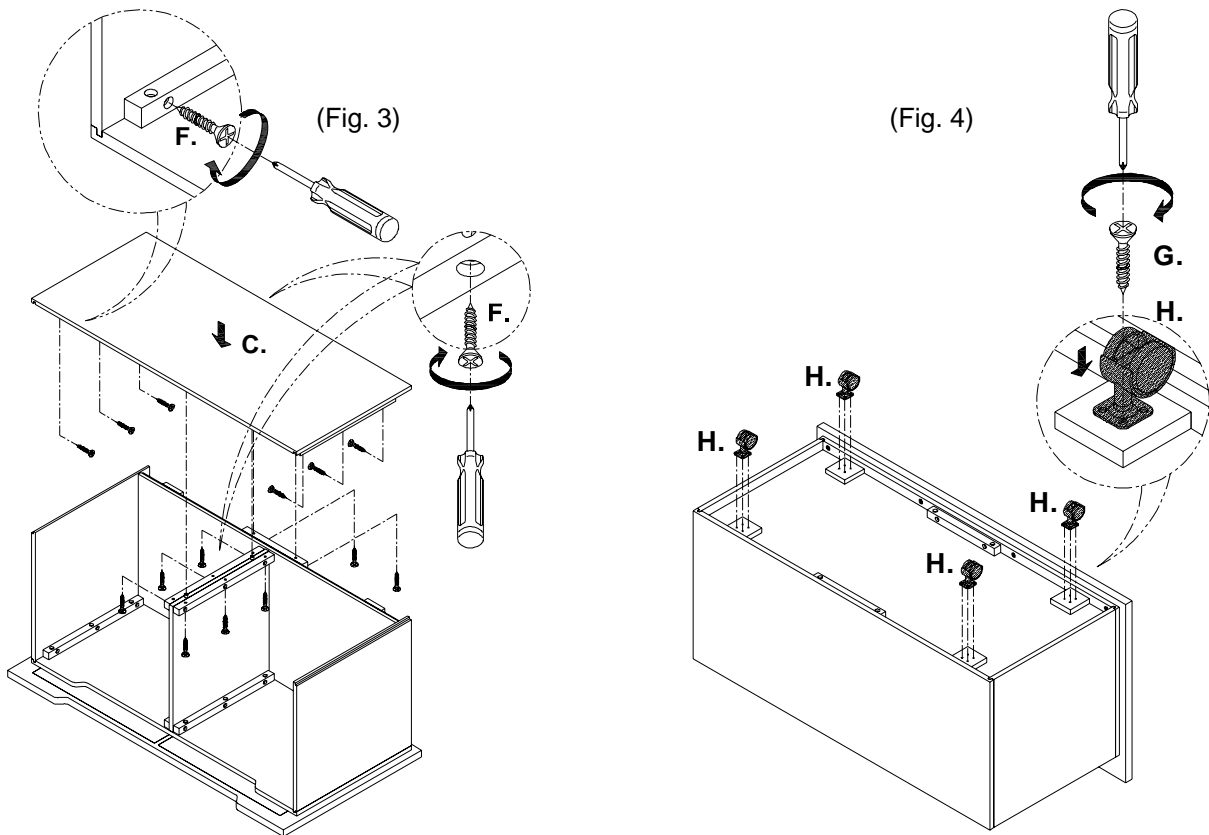
- Remove all parts and hardware from the box and lay out on a clean, carpeted, or scratch-free work surface, as this will avoid damaging any parts during assembly. The shipping box provides an ideal work surface. Do not dispose of any contents until assembly is completed to avoid accidentally discarding small parts or hardware.
- Use the parts and hardware lists above to identify and separate each of the pieces included.
- The illustrations provided allow for easier assembly when used in conjunction with the assembly instructions.
- Note: Do not fully tighten all bolts until all parts are in place. Failure to follow these instructions may cause the bolts to misalign during assembly.
- If using power tools to aid in assembly please use caution. Power tools can damage hardware or split wood.

ASSEMBLY INSTRUCTIONS:

1. Carefully place the Front Panel (A) on a clean, carpeted working surface. Attach the Middle Divider (B) to the Front Panel (A) securing with (6) Medium Wood Screws (F). (Fig.1)
2. Align and attach the Bottom Panel (D) to the slot on the Front Panel (A) and slide the Side Panels (E) into the assembled piece. Securing the Bottom Panel (D) and both Side Panels (E) to the Front Panel (A) by using a Phillips head screw driver (not included) and (8) Medium Wood Screws (F). (Fig.2)



3. Place the Back Panel (C) against the assembled piece and secure it with (14) Medium Wood Screws (F) and the Phillips head screwdriver (not included). (Fig. 3)
4. Turn the Cart upside down and attach (4) Casters (H) to the Bottom Panel as shown. (Fig. 4)
5. Assembly completed. Any remaining hardware is for the Table assembly.



CARE INSTRUCTIONS:

- Dust often using a clean, soft, dry lint-free cloth.
- Blot spills immediately, and wipe with a clean, damp, cloth.
- We do not recommend the use of chemical cleansers, abrasives, or furniture polish on our lacquered finish.
- Children and pets should not sit, stand, or play in the cart.

Thank you for your purchase.

stores | catalog | www.potterybarnkids.com