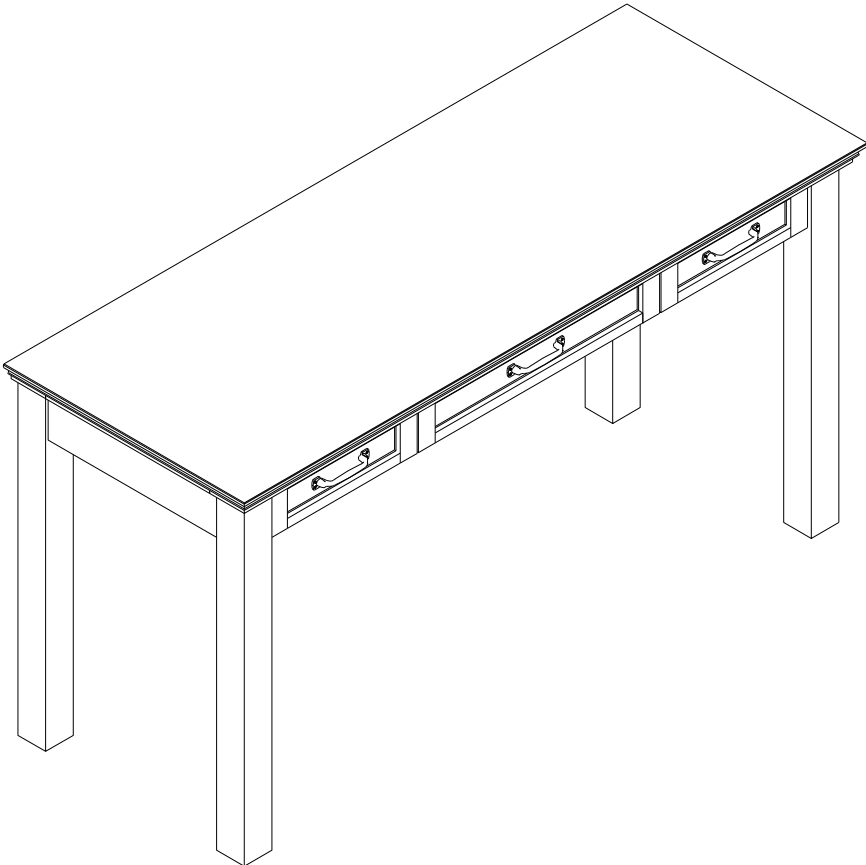




HAMPTON CLASSIC DESK

ASSEMBLY INSTRUCTION



Important safety instructions:

- Please read all all instruction carefully before assembling this desk.
- For your safety, assembly by two or more adults is strongly recommended.
- Keep these instructions for future use.
- Use only vendor-supplied hardware to assembly this item. Using unauthorized hardware could jeopardize the structural integrity of the item.

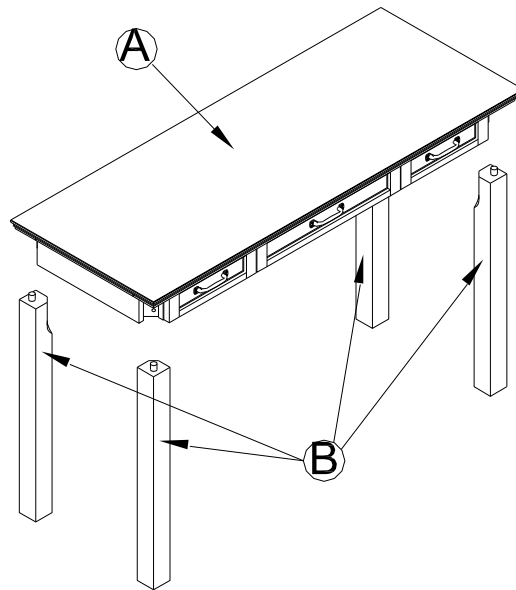
Pre- assembly:

- Remove all parts and hardware from the box and place them on a carpeted or scratch-free work surface. The shipping box provides an ideal work surface.
- To avoid accidentally discarding small parts or hardware, please do not dispose of any contents until assembly is complete.
- Two people are recommended for your safety and ease of assembly.
- Prior to starting the assembly, use the parts and hardware lists to identify and separate each of the pieces included.
- The illustrations provided allow for easier assembly when used in conjunction with the assembly instructions.
- Note: Do not fully tighten any of the bolts until all parts are in place. Failure to follow these instructions may cause the bolts to misalign during assembly.
- Please use caution if using power tools to aid in assembly. Power tools can damage the hardware or split the wood.


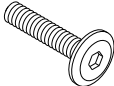


Parts Included:

A - Desk Top – 1 pc

B – Leg – 4pcs



Hardware included:

C – Allen Key	D – Hex Bolt	E – Spring Washer	F – Flat Washer
 Included	 5/16"x 38 x15 (mm)	 5/16"x13x2 (mm)	 5/16"x18 x 2 (mm)
1pc	8pcs	8pcs	8pcs

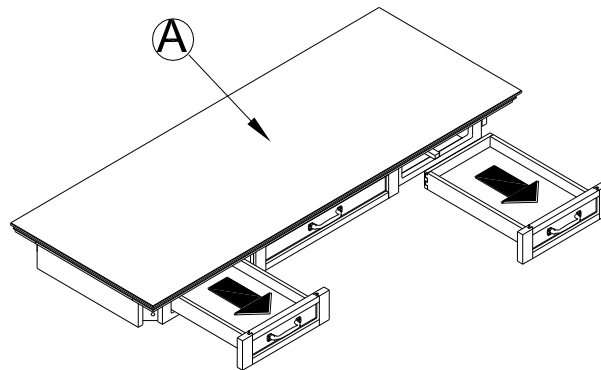
Tools Required:

Phillips Head Screwdriver(not included)

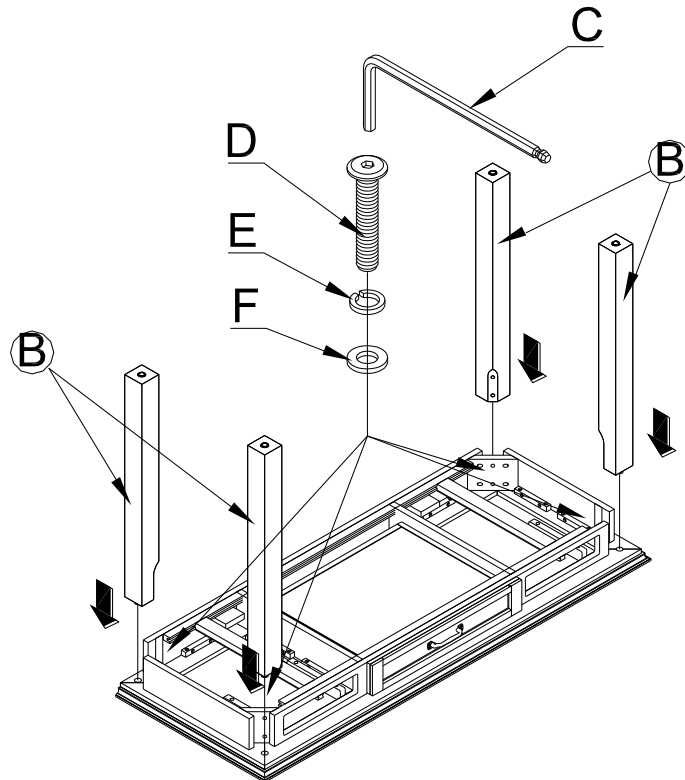


Assembly Instruction Steps:

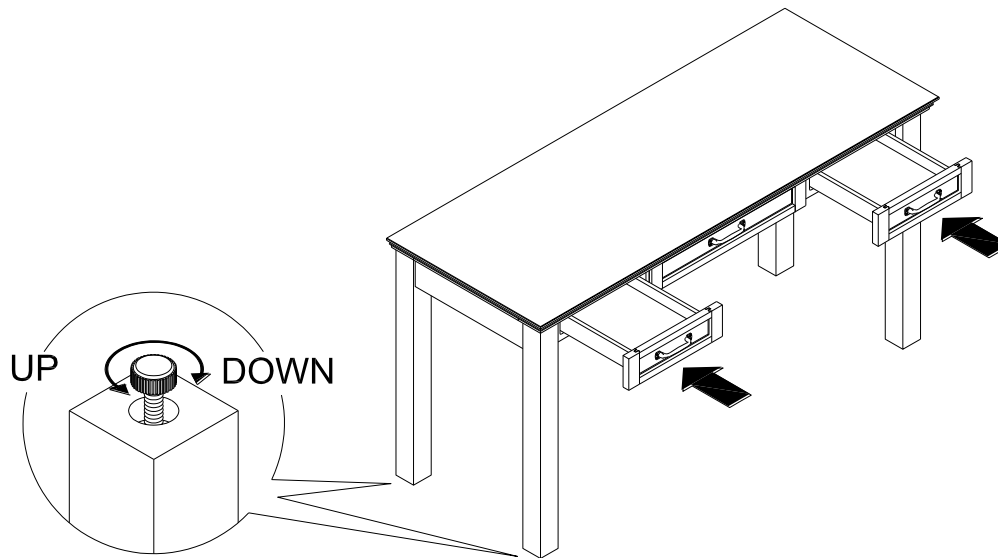
1. Put Top (A) on a soft, scratch-free surface, such as a carpet or rug. Slowly pull out the drawer as shown below.



2. Flip the top over on the scratch free surface. Attach a Leg (B) to the top by placing the Leg (B) into the gap at the corner, making sure the pre-drilled holes of the corner brace and metal inserts in Leg (B) are aligned.
3. Slide a Spring Washer (E), followed by a Flat Washer (F) onto a Hex Bolt (D) and insert the bolt with washers through the pre-drilled holes in corner brace into metal inserts in leg as shown below. Tighten bolts with Allen Key (C) but do not over-tighten.
4. Repeat for the other Legs (B). Assemble complete.



5. Stand up this assembled desk. Re-insert the drawers.
6. Adjust the recessed levelers located at the bottom of each leg to keep the Desk level if needed.
7. Hardware should be checked periodically for tightness.



Care Instructions:

- Dust often using a clean, soft, dry and lint-free cloth.
- Blot spills immediately and wipe with a clean, damp, cloth.
- We do not recommend the use of chemical cleansers, abrasives or furniture polish on our lacquered finish.
- Hardware may loosen over time. Periodically check to make sure all connections are tight. Re-tighten if necessary.