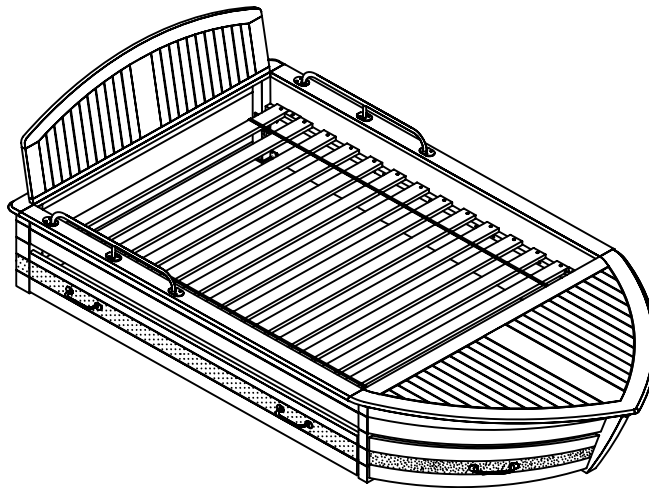


pottery barn kids

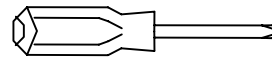
SPEED BOAT FULL BED

CAUTION: Assembly required. Please read all instructions before beginning assembly. This item contains small parts that have sharp points and edges in the unassembled state. Adults should take care when unpacking and assembling this item. Use caution when using power tools to aid in assembly. Power tools can split wood or strip hardware if not used carefully.



TOOLS INCLUDED:

Phillips Head Screw driver (not included)

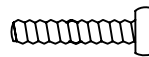


HARDWARE INCLUDED:

A – Allen Key (x1)



B – Allen Bolt (x6)



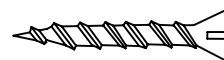
C – Spring washer (x6)



D – Flat washer (x6)



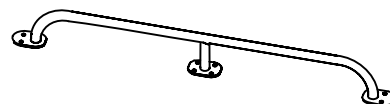
E - Large Phillips Head Screws (x28)



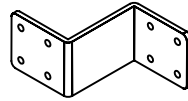
F – Small Phillips Head Screws (x48)



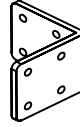
G – Siderail Handle (x2)



H – “S” Shape Metal Bracket (x2)



I - “L” Shape Metal Bracket (x2)



PARTS INCLUDED:

J – Headboard (x1)

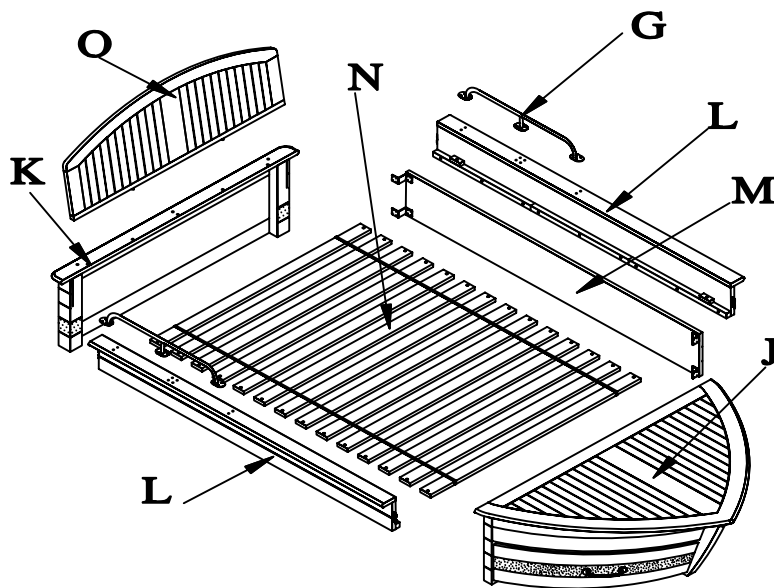
K – Footboard (x1)

L – Side Rail (x2)

M – Side panel (x1)

N – Slat Roll (x1)

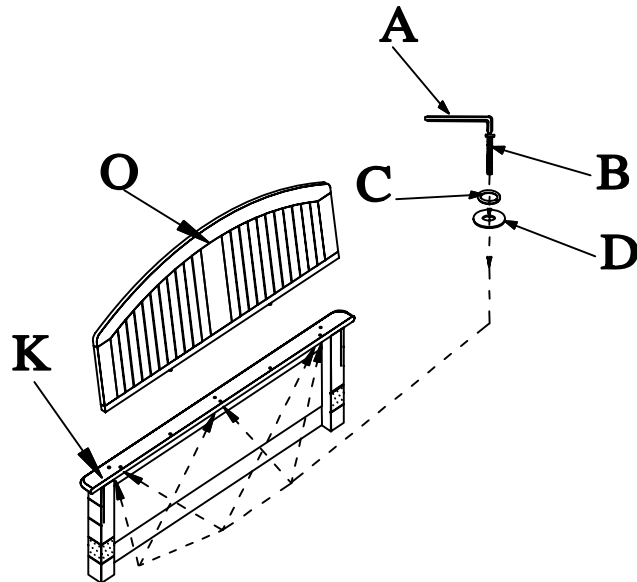
O – Tail Top (x1)



ASSEMBLY:

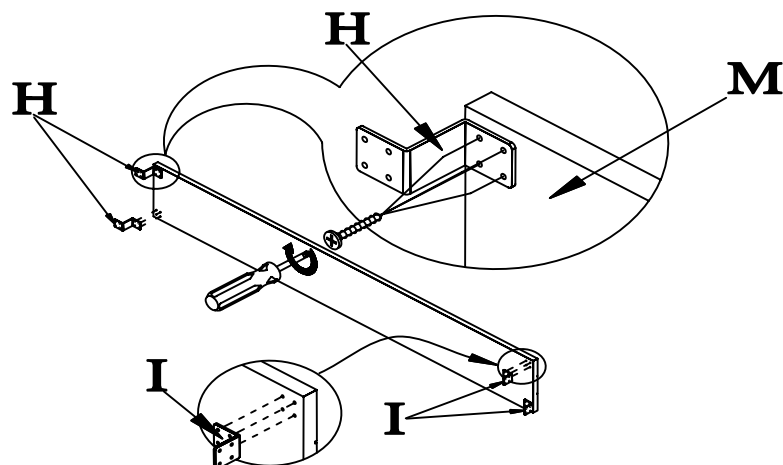
Step 1 through 4

1. Place the Top Tail (O) on top of the footboard as shown.
2. Place a spring washer (C), then a flat washer (D) over an Allen Bolt (B).
3. Fasten bolt and washers up into bottom of Tail Top through footboard as shown.
4. Repeat last 5 Allen bolts and washers.



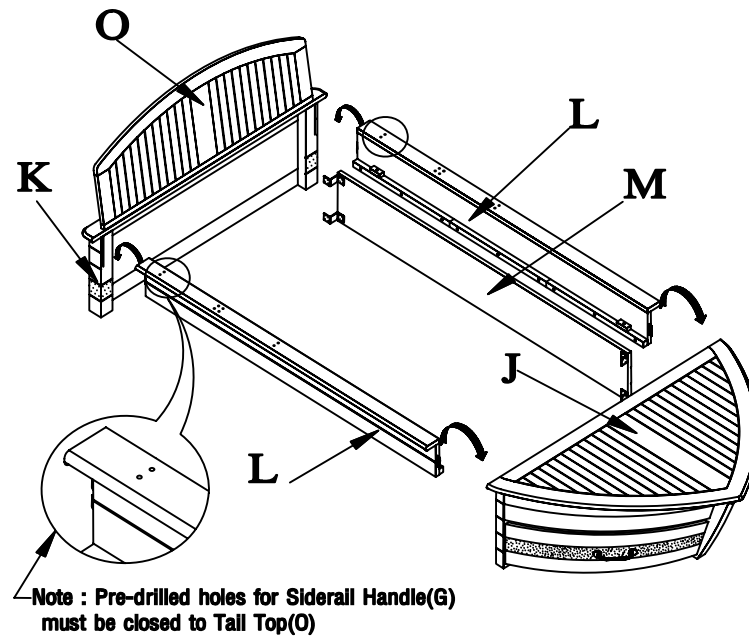
Step 5 through 6:

5. Install the "S" shape metal bracket (H) to the side panel (M) using the small Phillips head screws as shown.
6. Install the "L" shape metal bracket (I) to the side panel (M) using the small Phillips head screws as shown.



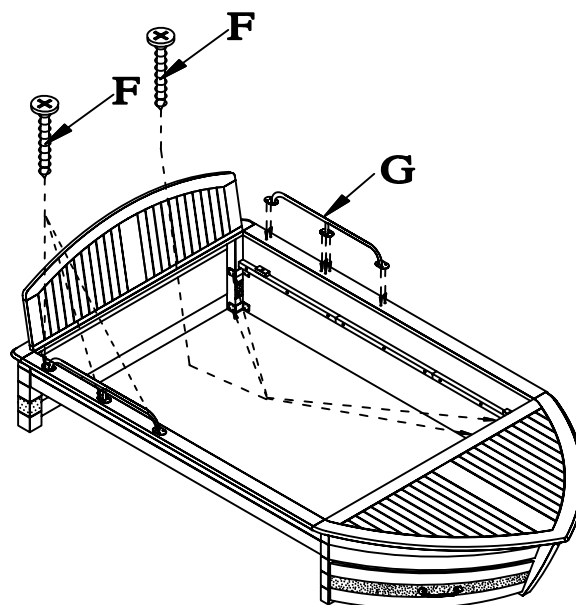
Step 7 through 8:

7. Hold side rail (L) and side panel (M) up to slots on the legs of the headboard (J) and insert the hooks of each side rail into the slots. Push down firmly on the top of side rail until they seat themselves over the pins inside the legs slots as shown.
8. Repeat the same procedure with the footboard (K).



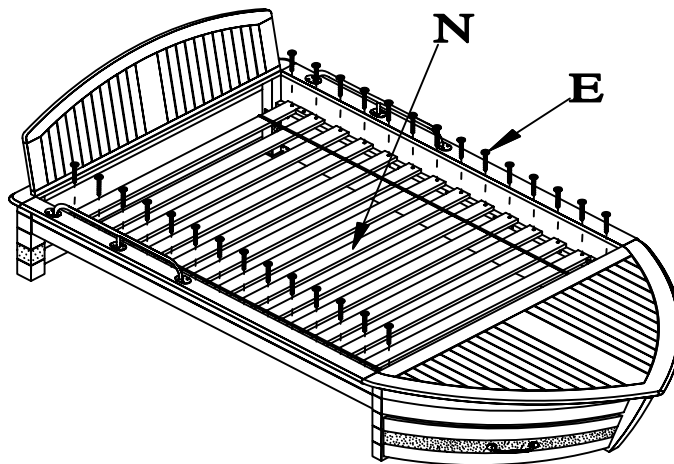
Step 9:

9. Fasten the side rail handles (G) to the top of the side rails with pre-drilled holes using small Phillips head screws (F).



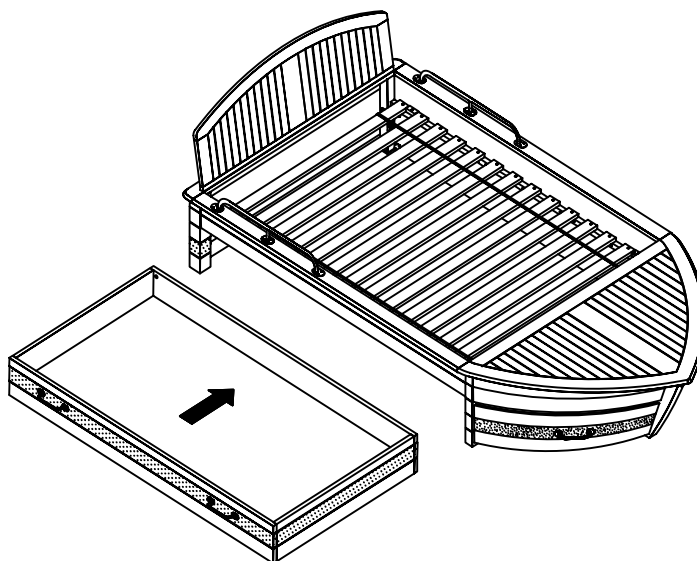
Step 10 through 11:

10. Lay the slat roll (N) in between the side rails (L) and use Large Phillips head screws (E) to fasten slats to the side rail with the Phillips head screwdriver for both beds.
11. Retighten all bolts screws to make sure all are tight and bed structure is rigid. It is recommended all bolts and screws be checked from time to time for safety.



Step 12

12. Slide assembled Trundle under the assembled bed.



Thank you for your purchase

stores | catalog | www.potterybarnkids.com