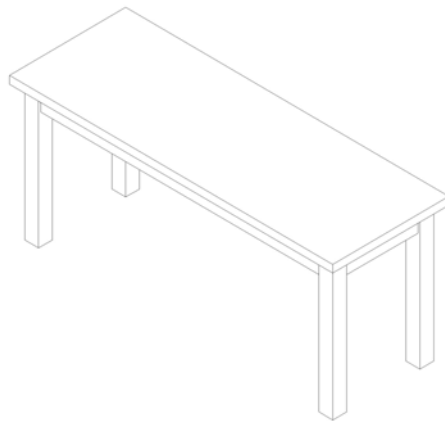


pottery barn kids

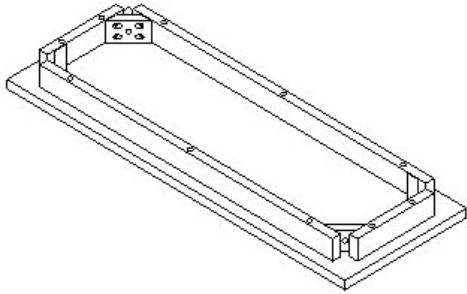
carolina bench



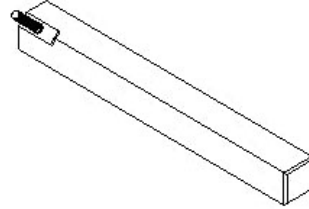
PRE-ASSEMBLY:

- Remove all parts and hardware from the box and lay out on a clean, carpeted, or scratch-free work surface, as this will avoid damaging any parts during assembly. The shipping box provides an ideal work surface. Do not dispose of any contents until assembly is completed to avoid accidentally discarding small parts or hardware.
- Use the parts and hardware lists above to identify and separate each of the pieces included.
- The illustrations provided allow for easier assembly when used in conjunction with the assembly instructions.
- Note: Do not fully tighten all bolts until all parts are in place. Failure to follow these instructions may cause the bolts to misalign during assembly.
- If using power tools to aid in assembly please use caution. Power tools can damage hardware or split wood.
- Two people recommended for ease of assembly.

PARTS INCLUDED:

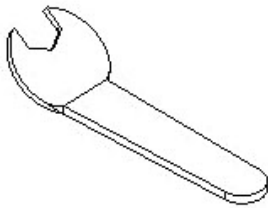


(A) Seat – 1pc

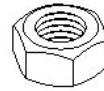


(B) Leg – 4pcs

HARDWARE ENCLOSED:



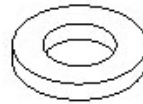
(F) Wrench – 1pc



(E) Nuts – 4pcs



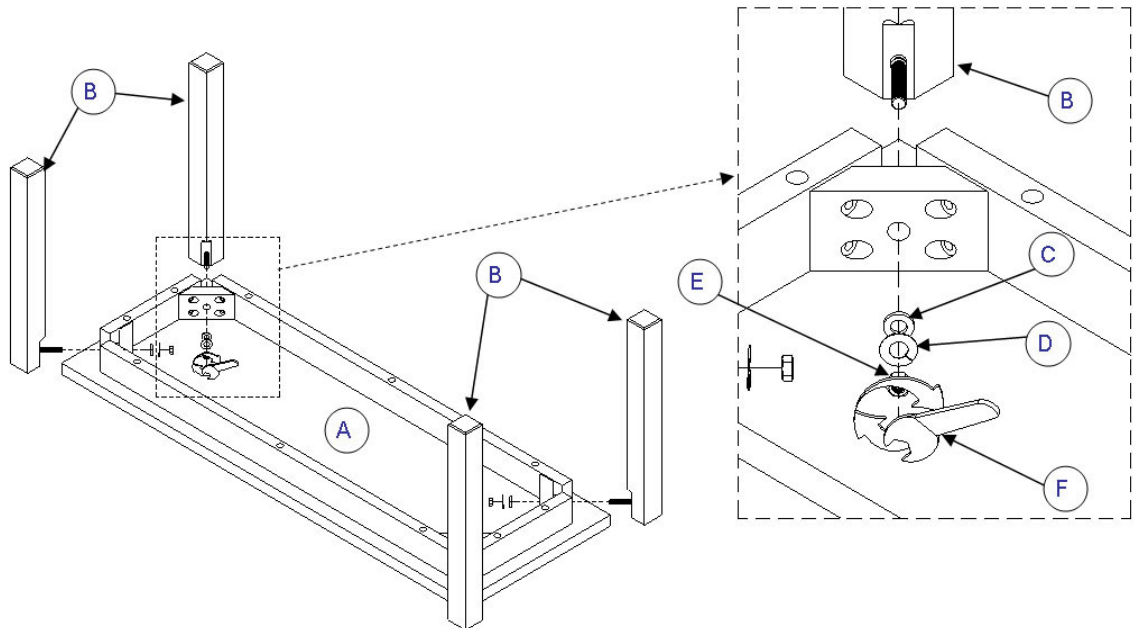
(D) Spring washer – 4pcs



(C) washer – 4pcs

ASSEMBLY INSTRUCTIONS:

1. Place the bench seat upside down on the work surface. Insert the bolt on the Legs (B) into the predrilled holes on each side of the bench top. Place a Washer (C), Spring washer (D) and a Nut (E) in that order over the bolt, and tighten the connection clockwise with the Wrench (F). Repeat this step with the remaining legs.



CARE INSTRUCTIONS:

- Dust often using a clean, soft, dry lint-free cloth.
- Blot spills immediately, and wipe with a clean, damp, cloth.
- We do not recommend the use of chemical cleansers, abrasives, or furniture polish on our lacquered finish.
- Do not stand on the top of the bench.

Thank you for your purchase
stores | catalog | www.potterybarnkids.com
USA 1.800.290.8181