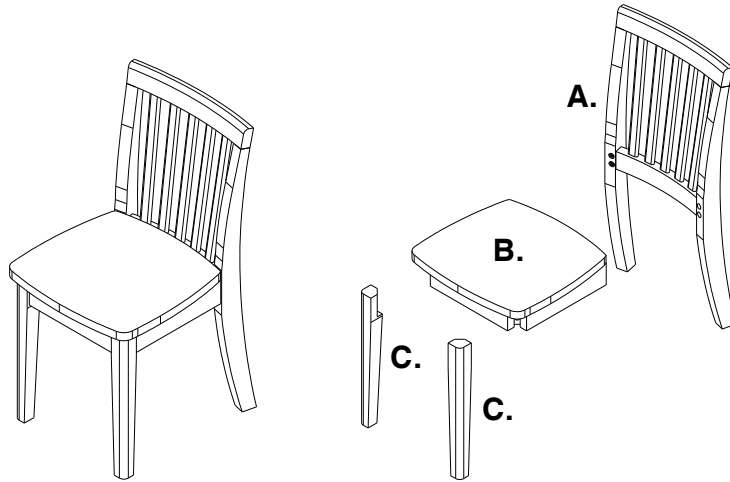


pottery barn kids CAROLINA KID CHAIR

PRE-ASSEMBLY:


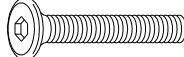


- For your safety and ease, assembly by two adults is recommended.
- Please read all instructions before beginning assembly. The illustrations provided allow for easier assembly when used in conjunction with the assembly instructions.
- Remove all parts and hardware from box and lay out on a carpeted or scratch-free work surface. The shipping box provides an ideal work surface. Do not dispose of any contents until assembly is completed to avoid accidentally discarding small parts or hardware.
- Use the parts and hardware lists to identify and separate each of the pieces included prior to starting assembly.
- Note: DO NOT fully tighten the bolts until all parts are in place AND alignment of legs is verified. Failure to follow these instructions may cause the bolts to misalign during assembly and chair to sit unlevel.
- If using power tools to aid in assembly please use caution. Power tools can damage hardware or split wood.



PARTS INCLUDED:

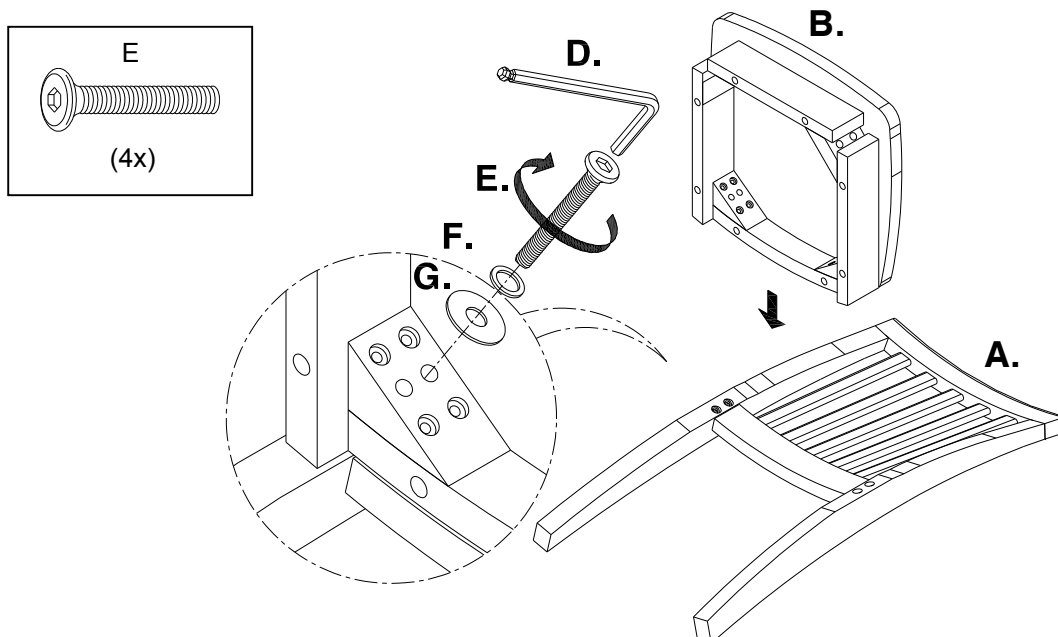
- (A) Rear Leg Panel– 1pc
- (B) Seat – 1pc
- (C) Front Leg – 2pcs

HARDWARE INCLUDED:

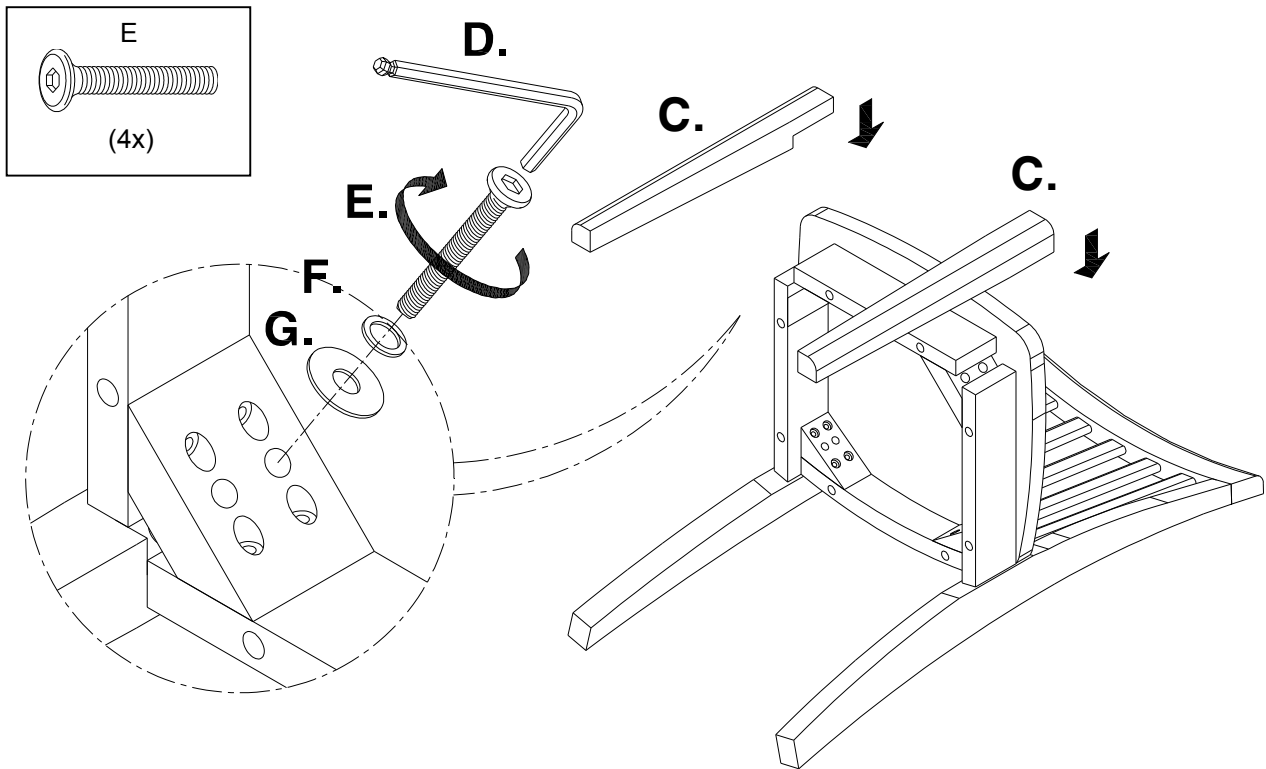
 (D) Allen Key – 1pc	 (E) Bolt 1/4" x 65mm – 8pcs	 (F) Spring Washer – 8pcs	 (G) Flat Washer – 8pcs
--	--	---	---

ASSEMBLY INSTRUCTIONS:

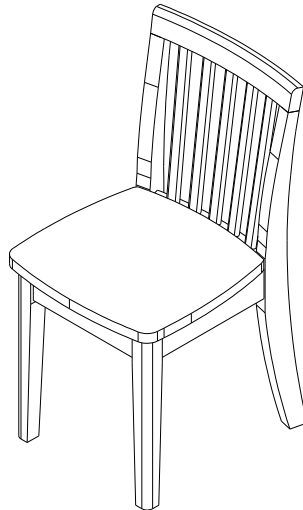
1. Attach Seat (B) to Rear Leg Panel (A). Slide a Spring Washer (F) and a Flat Washer (G) onto each Bolt (E). Insert (2) Bolts with washers from each triangle corner block under seat into pre-drilled holes on the Leg Panel. Do not fully tighten.



2. Align and connect Front Legs (C) to the Seat. Slide a Spring Washer (F) and a Flat Washer (G) onto each Bolt (E). Insert (2) bolts with washers from triangle corner block under seat into pre-drilled holes on one Leg (C) using Allen Key (D). Repeat with the other leg. **IMPORTANT: DO NOT FULLY TIGHTEN BOLTS BEFORE STEP 3**



3. Place chair on floor to ensure all legs are securely on the floor. Adjust alignment as needed and tighten all connecting bolts.



CARE INSTRUCTIONS:

- Dust often using a clean, soft, dry lint-free cloth.
- Blot spills immediately, and wipe with a clean, damp, cloth.
- We do not recommend the use of chemical cleansers, abrasives, or furniture polish on our lacquered finish.

Thank you for your purchase.
stores | catalog | www.potterybarnkids.com
USA 1.800.290.8181