

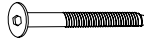
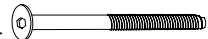
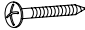



pottery barn kids CHESAPEAKE CABANA FRAME

CAUTION : Adult assembly required. This item contains small parts that have sharp points and edges in the unassembled state. Adults should take care when unpacking and assembling this item.

PARTS INCLUDED

- | | |
|----------------------------|-------|
| (A) Support bars | 4 Pcs |
| (B) Bottom horizontal bars | 3 Pcs |
| (C) Upper horizontal bar | 4 Pcs |
| (D) Diagonal bars | 4 Pcs |
| (E) Finial | 1 Pc |

HARDWARE ENCLOSED

- | | | |
|-------------------|---|--------|
| (F) 60 mm Bolt |  | 10 Pcs |
| (G) 80 mm Bolt |  | 1 Pc |
| (H) Screws |  | 24 Pcs |
| (I) X-cross metal |  | 2 Pcs |
| (J) "J" pin |  | 4 Pcs |
| (K) |  | 1 Pc |

TOOLS REQUIRED

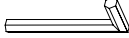
- | | | |
|-----------------------|---|--------------------|
| Bolt Key |  | (included) = 1 |
| Phillip's Screwdriver | | (not included) = 1 |

Fig. 1

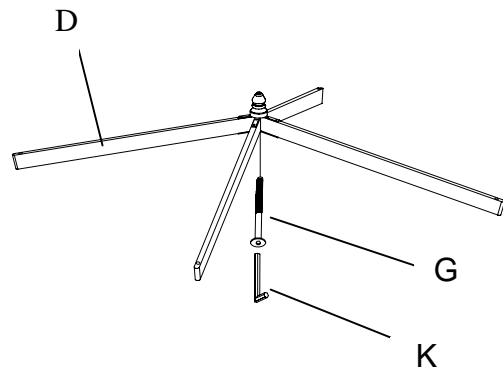
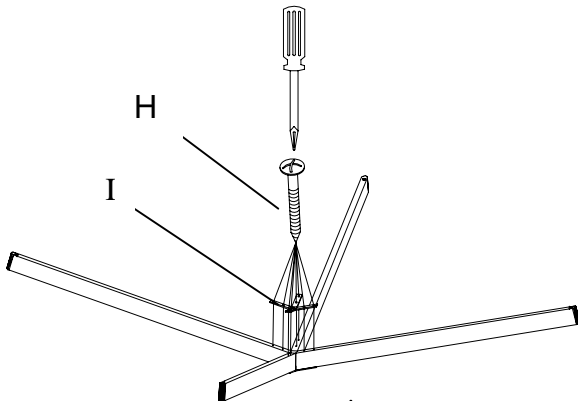


Fig. 2

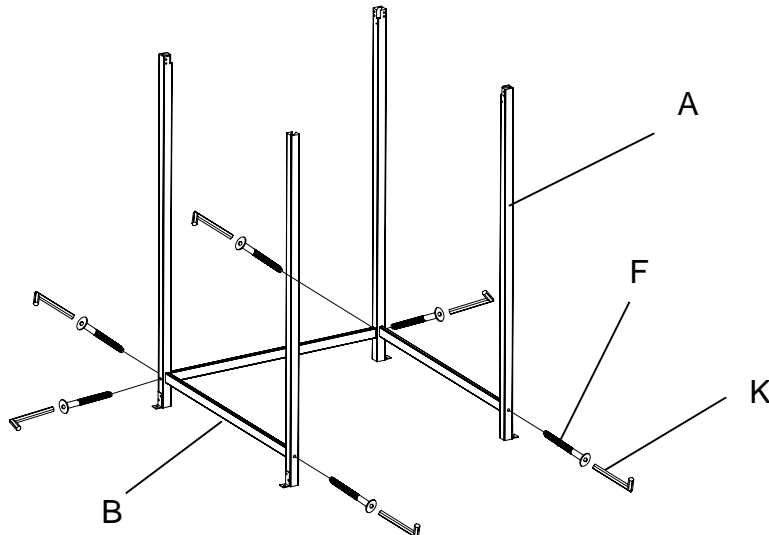


Fig. 3

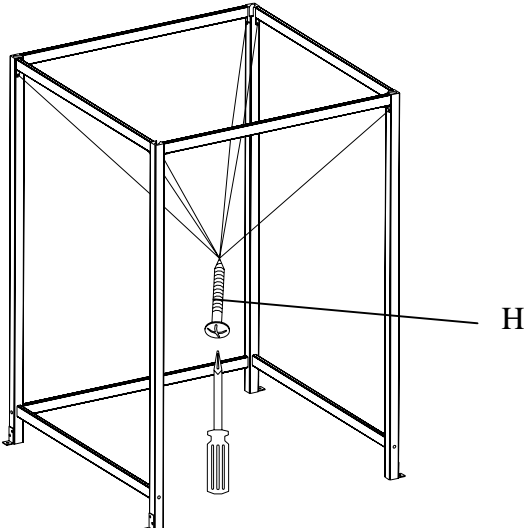


Fig. 4

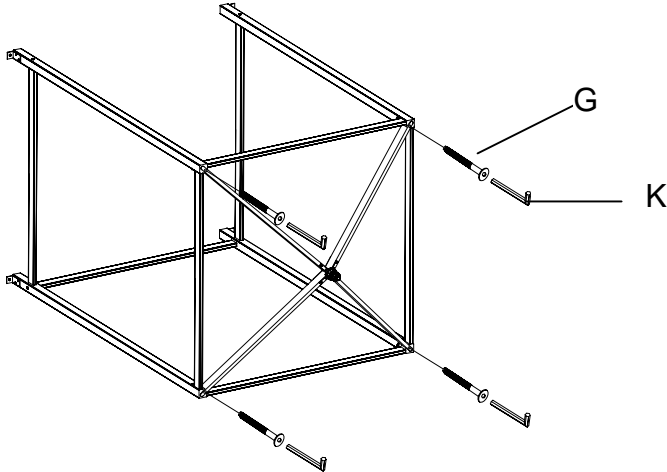
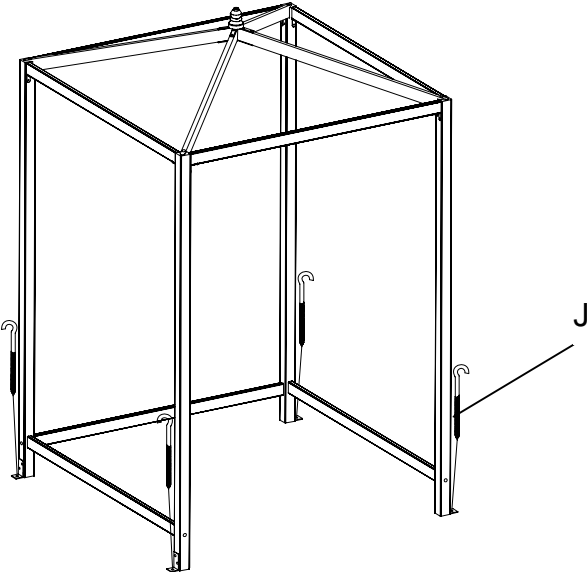


Fig. 5



ASSEMBLY INSTRUCTIONS:

1. Place the Diagonal Bars (D) together and secure them with 2, X-cross metal (I), one on the top and the other on the bottom, using Screws (H). Attach the finial (E) and secure it with one 80 mm bolt (G). (Fig. 1)
2. Upright the Support Bars (A) and attach the Bottom Horizontal Bars (B), securing them with 60 mm bolts (Fig. 2)
3. Attach the Upper Horizontal Bars (C) and secure them using Screws (H). (Fig. 3)
4. Carefully lay the Cabana flat, and secure Diagonal Bars with 10, 60 mm Bolts (F). (Fig. 4)
5. Upright the Cabana and use the "J" pin (J) to secure it to the ground**. (Fig. 5)

**CAUTION. The "J" pin not suitable for a hard surface, such as ceramic tile, wood tile, or metal. The pin is also sharp. Please store it when not in use, and keep it away from children.

CARE INSTRUCTIONS:

- For daily care wipe with a soft dry cloth. Wipe spills with clean, dry cloth. Avoid the use of harsh cleaners and abrasives.
- Should the finish of outdoor furniture change year over year, apply teak oil or your choice of furniture stain to restore the natural luster and beauty of the wood. For maximum results, we recommend carefully following the labeled instructions for correct application of the teak oil or furniture stain you choose to purchase.
- Store in a dry, covered area when not in use.

Thank you for your purchase

stores | catalog | www.potterybarnkids.com
USA 1.800.290.8181