

pottery barn kids

MADELINE XW DRESSER HUTCH

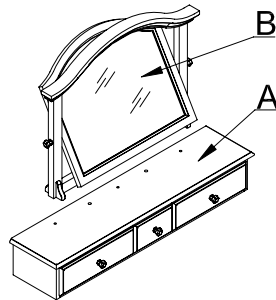
PRE-ASSEMBLY:

- Please read all instructions carefully before beginning assembly. The illustrations provided allow for easier assembly when used in conjunction with the assembly instructions.
- Remove all parts and hardware from the box and lay out on a clean, carpeted, or scratch-free work surface, as this will avoid damaging any parts during assembly. The shipping box provides an ideal work surface. Do not dispose of any contents until assembly is completed to avoid accidentally discarding small parts or hardware.
- For your safety and ease, adult assembly by two people is recommended.
- Save all packing materials until assembly is complete to avoid accidentally discarding smaller parts.
- Use the parts and hardware lists above to identify and separate each of the pieces included.
- The illustrations provided allow for easier assembly when used in conjunction with the assembly instructions.
- Note: Do not fully tighten all bolts until all parts are in place. Failure to follow these instructions may cause the bolts to misalign during assembly.
- If using power tools to aid in assembly please use caution. Power tools can damage hardware or split wood.

PARTS INCLUDED:

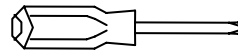
A - Base (x1)

B - Top Mirror (x1)



TOOLS INCLUDED:

Phillips Head Screwdriver (not included)



Allen Key (included)

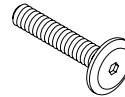


HARDWARE:

C - Allen Key (x1)



D - Short Bolt 5/16"x32x15mm (x3)



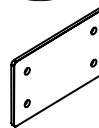
E - Spring Washer 5/16"x13x2mm (x3)



F - Flat Washer 5/16"x16x2mm (x3)



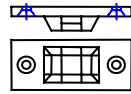
G - Metal Plate 70x40mm (x2)



H - Small Phillips Head Screws 7x15mm (x8)



I - Bracket 48x21x10mm (x2)



J - Long Screw 6x32mm (x2)



K - Short Screw 6x19mm (x2)

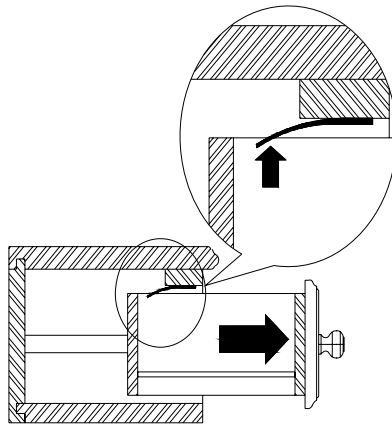


L - Nylon Strap 300x12x8mm (x1)



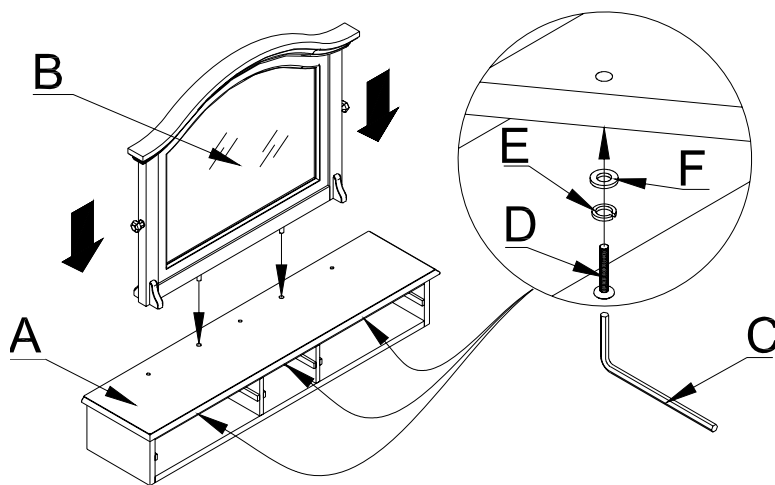
ASSEMBLY:

1. Press the drawer stopper up as shown and pull out (3) drawers as shown (Figure 1).



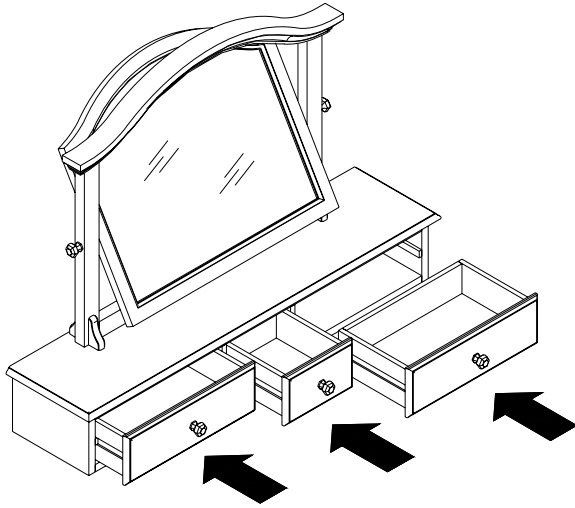
(Figure 1)

2. Align the wooden dowels on Mirror (B) to wooden dowel holes on Base (A) as shown, and place the Mirror onto the Base. Using the Allen Key (C), attach the two pieces by inserting the Short Bolt (D), Spring Washer (E), Flat Washer (F) from inside the drawer openings, as shown (Figure 2).



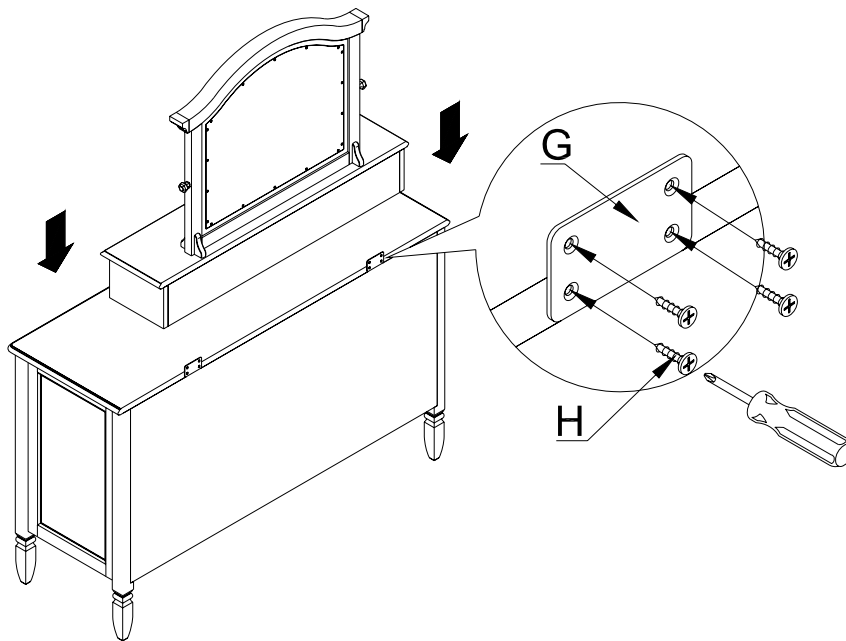
(Figure 2)

3. Insert the (3) drawers as shown (Figure 3).



(Figure 3)

4. Place the Dresser Hutch on the XW Dresser in an upright position. Using the Philips Head Screwdriver; align the Metal Plate (G) with the pre-drilled holes, and attach the Metal Plates to the back edge of the Dresser Hutch by inserting the (4) Small Phillips Head Screw 7x15mm (H) as shown (Figure 4).



(Figure 4)

Thank you for your purchase
stores | catalog | www.potterybarnkids.com
USA 1.800.290.8181

pottery barn kids

FURNITURE TIPPING RESTRAINT

WARNING: This product is only a deterrent. It is not a substitute for proper adult supervision. Manufacturer assumes no liability for improper installation or excessive loads placed on screws, brackets or straps.

Young children may be injured by tipping furniture and the use of a tipping restraint is highly recommended.

When properly installed, this restraint could provide protection against the unexpected tipping of furniture. We recommend mounting this restraint to a wall stud.

Hardware Included (also described on page two):

I - Brackets (x 2)

J - Long screws / Stud Mounting Screws (x 2)

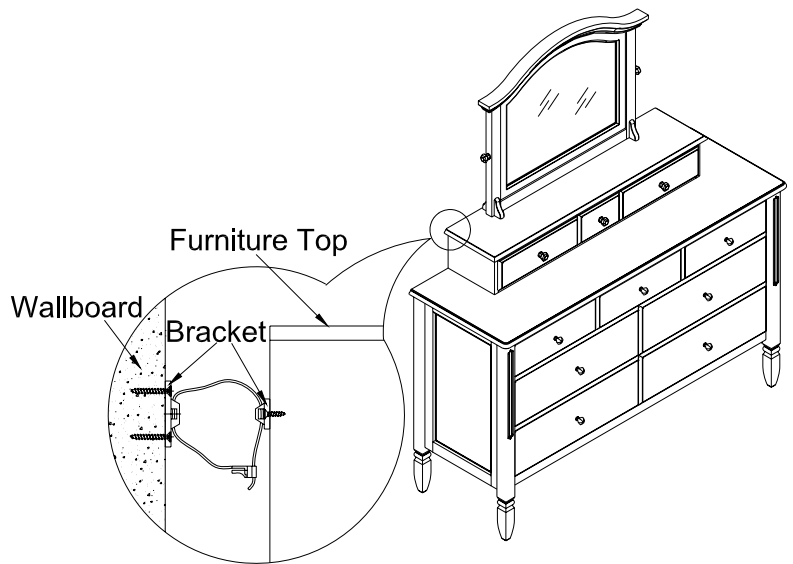
K - Short Screws / Product Side Mounting Screws (x 2)

L - Nylon Strap (x 1)

Note: For safe mounting it is essential to use the proper hardware for your wall type. The included hardware is for drywall and stud mounting only. For other wall types (ie: plaster, concrete, brick...) please consult your local hardware store.

INSTALLATION INSTRUCTIONS:

1. Determine the final resting position of the furniture piece. Locate a stud in the wall behind that furniture piece. Mark the location on the wall approximately 1" below the top of the furniture piece. Mark and drill pilot hole into the center of the stud with a 3/32" drill bit. Attach a bracket to the stud with the long screws provided.
2. On the back of the furniture, a bracket will need to be attached to the furniture frame at the top. To do this, temporarily move the furniture into its final position and mark the location of the wall bracket on the furniture frame.
3. Move the furniture away from the wall and place a bracket on the mark. Mark and drill holes for screws with a 3/32" drill bit. Attach the bracket to the furniture with the short screws provided.
4. Check to be sure the wall bracket is firmly screwed into wall and the furniture bracket is firmly attached to the frame.
5. Move the piece of furniture into its final position so that the wall bracket and furniture bracket are in alignment.
6. Thread the strap through brackets and tighten until snug. Do not over-tighten.
7. Check to make sure the brackets are firmly installed and the strap is secure.



Thank you for your purchase
stores | catalog | www.potterybarnkids.com
USA 1.800.290.8181