

pottery barn kids

CATALINA EXTRA WIDE CHANGING TABLE TOPPER



WARNING: FALL HAZARD - To prevent death or serious injury from falls, always keep child within arm's reach.

- Read all instruction before use of the changing table. **KEEP INSTRUCTION FOR FUTURE USE.**
- Before each use check the changing table for damage, loose parts or sharp edges. **DO NOT** use the changing table if it is damaged or broken.
- Set up this table to be level, stable, and structurally sound.
- This changing table may be used with or without a pad. The only pad approved for use with it is the Contour Changing Pad available for purchase from pottery barn kids. This pad is designed to be used in a space of at least 810 mm x 400 mm (32 inches x 16 inches). If used, place it within the rail-bounded changing area of the changing table.
- **NEVER LEAVE THE CHILD UNATTENDED** and always use the restraining system.

This Changing table is intended for use with children weighing up to 30 pounds.

Important Safety Message: Use only vendor-supplied hardware to assemble. Using unauthorized hardware could jeopardize the structural integrity of the item

PRE-ASSEMBLY:

- Please read all instructions before beginning assembly.
- For your safety and ease, assembly by two adults is recommended.
- Remove all parts and hardware from box and lay out on a carpeted or scratch-free work surface, as this will avoid damaging any parts during assembly. The shipping box provides an ideal work surface. Do not dispose of any contents until assembly is completed to avoid accidentally discarding small parts or hardware.
- Use the parts and hardware lists to identify and separate each of the pieces included.
- Note: Do not fully tighten all bolts until all parts are in place. Failure to follow these instructions may cause the bolts to misalign during assembly.
- The use of power tools for assembly is not recommended. Power tools can damage hardware or split wood.

PARTS INCLUDED:

(A) Changing Table Topper – 1 pc

NOTE:

This Topper should be used in conjunction with the Dresser (SOLD SEPARATELY)

HADRWARE ENCLOSED:

(B) Mending Plate – 2 pcs

(C) Bolt JF 4 x 10 – 6 pcs

(D) Anti – Tip Kit – 1

NOTE:

Installation of Anti Tip Kit is required. Please Refer to separate page for construction.

TOOLS REQUIRED:

Phillips Head Screwdriver (not included)

Thank you for your purchase
Stores | catalog | www.potterybarnkids.com

Assembly Instructions:

1. Carefully place the Changing Table Topper (A) on top of the Catalina Dresser (SOLD SEPARATELY), taking care not to scratch or otherwise damage the dresser top, as shown in Figure 1.

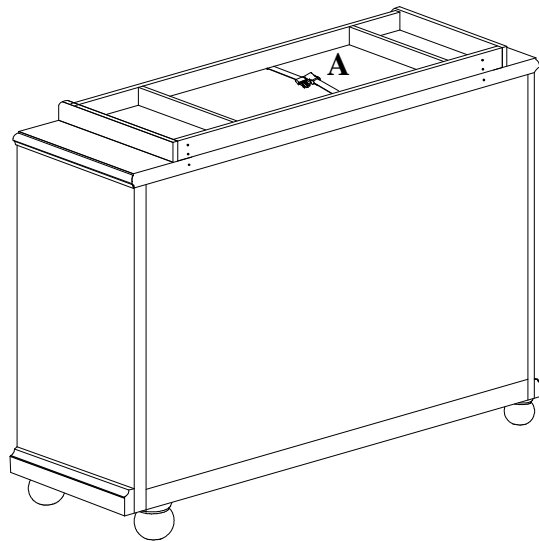


Figure 1

2. Attach each of the manding plate (B) to the pre-drilled hole located on either side of back of the Topper and Dresser. Fasten each manding plate with (3) Bolt JF 4x10 (D) using a philips head screwdriver (not included), as shown in Figure 2.

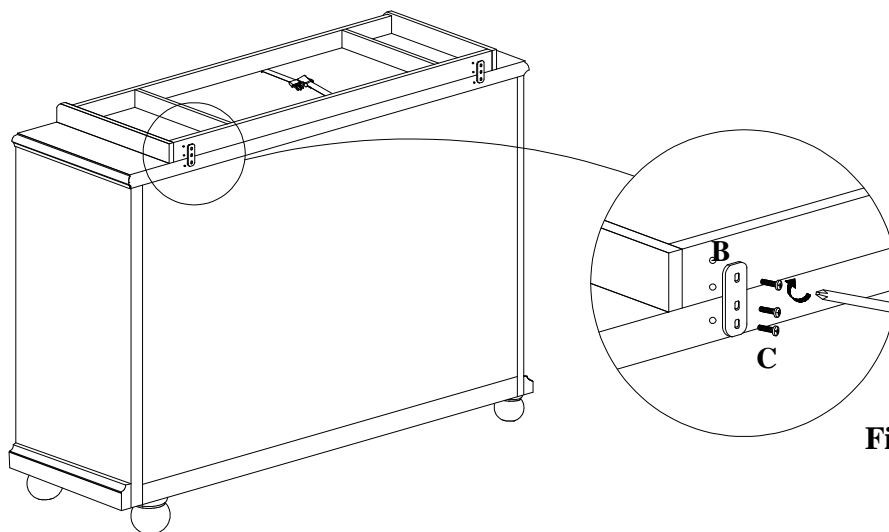


Figure 2

3. Please follow the separate instruction to secure the changing table to wall using tipping-restraint kit included.
4. Assembly complete.

Thank you for your purchase
Stores | catalog | www.potterybarnkids.com

RESTRAINING SYSTEM INSTRUCTION:

1. Gently place baby onto table across restraining strap.
2. Adjust the strap through single bar slide so that it fits baby's body.
3. To fasten insert the buckle as shown in Figure 3.

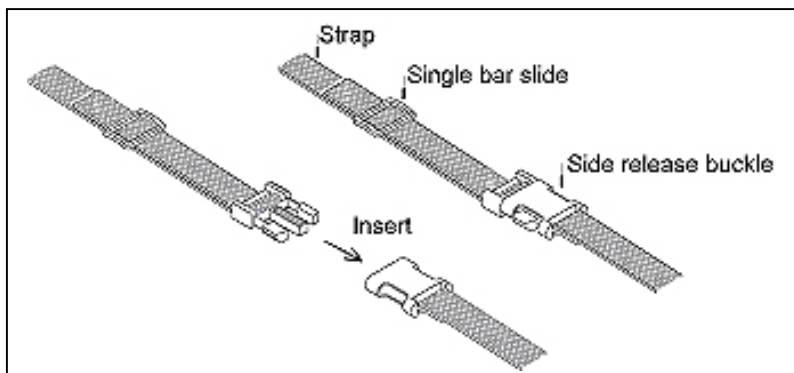


Figure 3

4. To release press inward on tabs as shown in Figure 4.

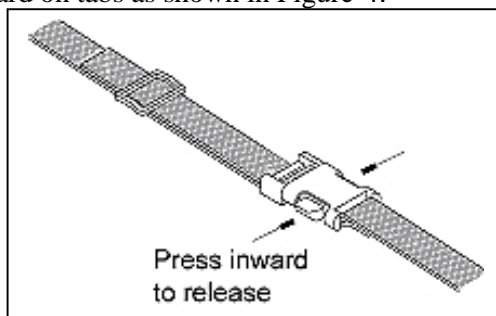


Figure 4

CARE INSTRUCTIONS:

- Dust often using a clean, soft, dry lint-free cloth.
- Blot spills immediately, and wipe with a clean, damp, cloth.
- We do not recommend the use of chemical cleansers, abrasives, or furniture polish on our lacquered finish.
- Parents should ensure a safe environment for the child by checking regularly, before placing the child in the product, that every component is properly and securely in place.

Thank you for your purchase
Stores | catalog | www.potterybarnkids.com