

# pottery barn kids chesapeake toy bin

**CAUTION :** Adult assembly required. This item contains small parts in the unassembled state and care should be taken in the unpacking and assembly of the product.

## PRE ASSEMBLY

- Please read all instructions before beginning assembly.
- For ease of assembly two people are recommended.
- Remove all parts and hardware from the box and lay out on a clean, carpeted, or scratch-free work surface, as this will avoid damaging any parts during assembly. The shipping box provides an ideal work surface. Do not dispose of any contents until assembly is completed to avoid accidentally discarding small parts or hardware.

## PARTS INCLUDED:

- (A) Left Side Panel - 1 pc
- (B) Right Side Panel - 1 pc
- (C) Back Panel - 1 pc
- (D) Front Panel - 1 pc
- (E) Upper Shelf - 1 pc
- (F) Bottom Shelf - 1 pc

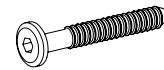
## TOOLS REQUIRED:

(I) Allen Key (included)

Phillips Screwdriver (not included)

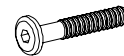
## HARDWARE ENCLOSED:

(G) Allen Bolts 55 mm



- 8 pcs

(H) Allen Bolts 30 mm



- 2 pcs

(I) Allen key 4mm



- 1 pc

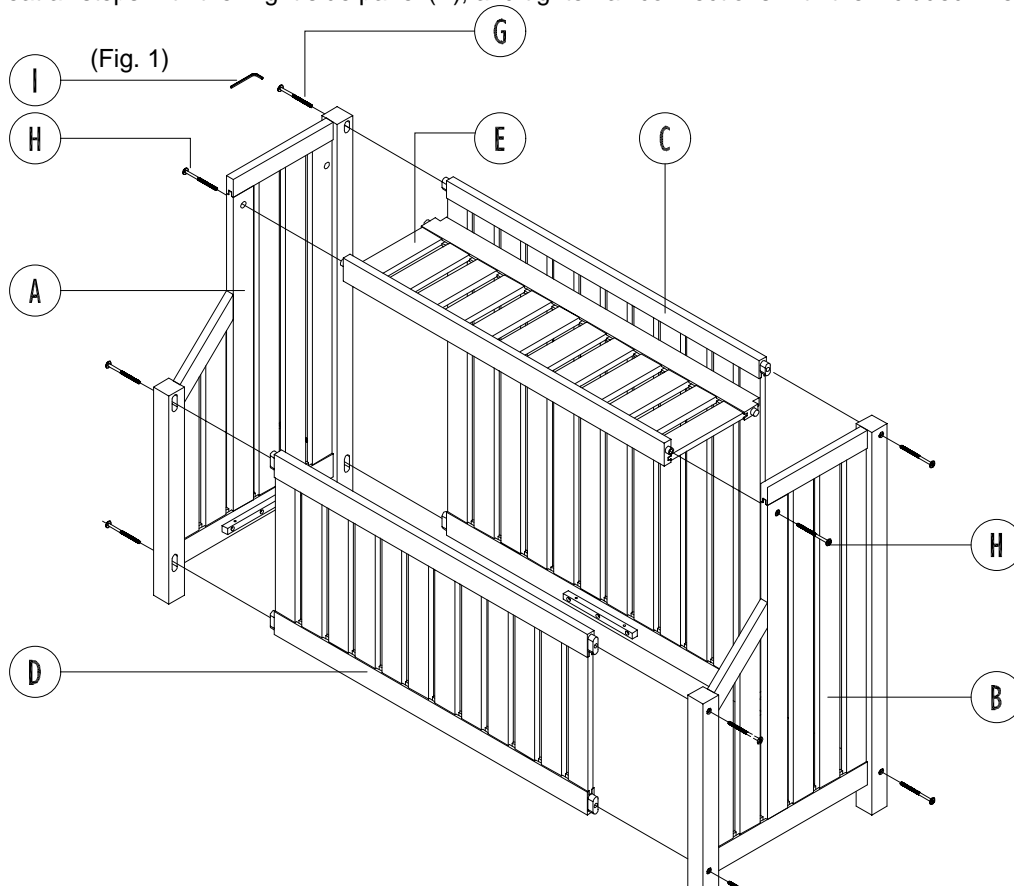
(J) Screw 25mm



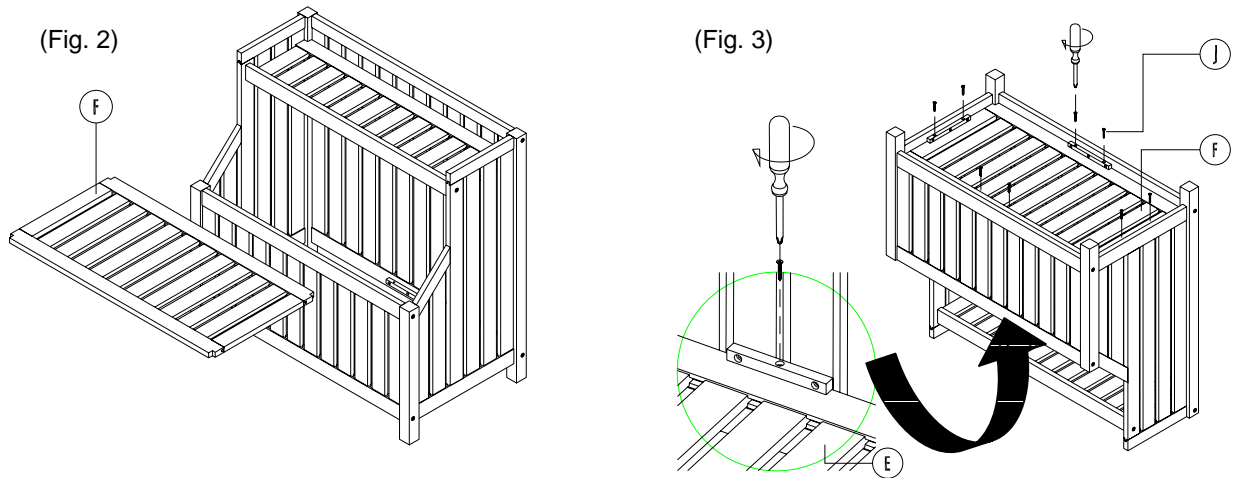
- 9 pcs

## ASSEMBLY INSTRUCTIONS:

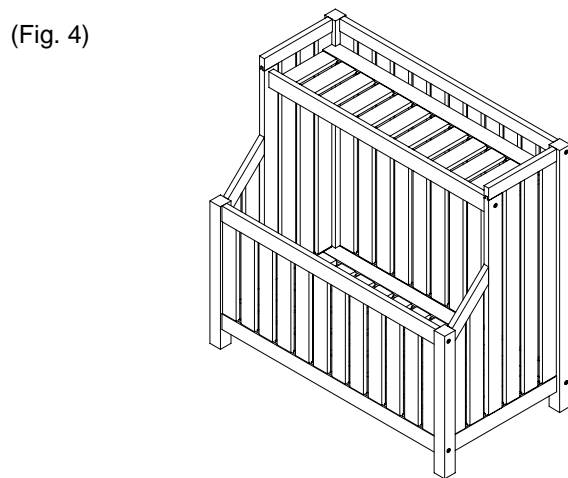
1. Attach the Left side panel (A) to the Back panel (C) using (2) Allen bolt – 55 mm (G). Insert the Upper shelf (E) to the Left side panel (A) and fasten the front connection with (1) Allen bolt – 30 mm (H). Finally, connect the Front panel (D) to the Left side panel (A), fastening the connections with (2) Allen bolt – 55 mm (G). Repeat all steps with the Right side panel (B), and tighten all connections with the included Allen key (I). (Fig. 1)



2. Insert the Bottom shelf (F) into the assembly, and carefully turn the entire assembly upside-down while one of the adults assembling the unit holds the Bottom shelf into place. (Fig. 2) Fasten the Bottom shelf (F) to the unit using the Screws 25 mm (J), and tightening with a screwdriver (not included). (Fig. 3)



3. Carefully turn the toy bin upright. Assembly is now complete. (Fig.4).



#### CARE INSTRUCTIONS:

- For daily care wipe with a soft dry cloth. Wipe spills with clean, dry cloth. Avoid the use of harsh cleaners and abrasive.
- Should the finish of outdoor furniture change year over year, apply teak oil or your choice of furniture stain to restore the natural luster and beauty of the wood. For maximum results, we recommend carefully following the labeled instructions for correct applications of the teak oil or furniture stain you choose to purchase.
- Store in a dry, covered area when not in use.
- **DO NOT STAND ON THE TOY BIN AT ANY TIME.**

Thank you for your purchase  
stores | catalog | [www.potterybarnkids.com](http://www.potterybarnkids.com)  
USA 1.800.290.8181