

pottery barn kids

ELEPHANT BENCH

PRE-ASSEMBLY:

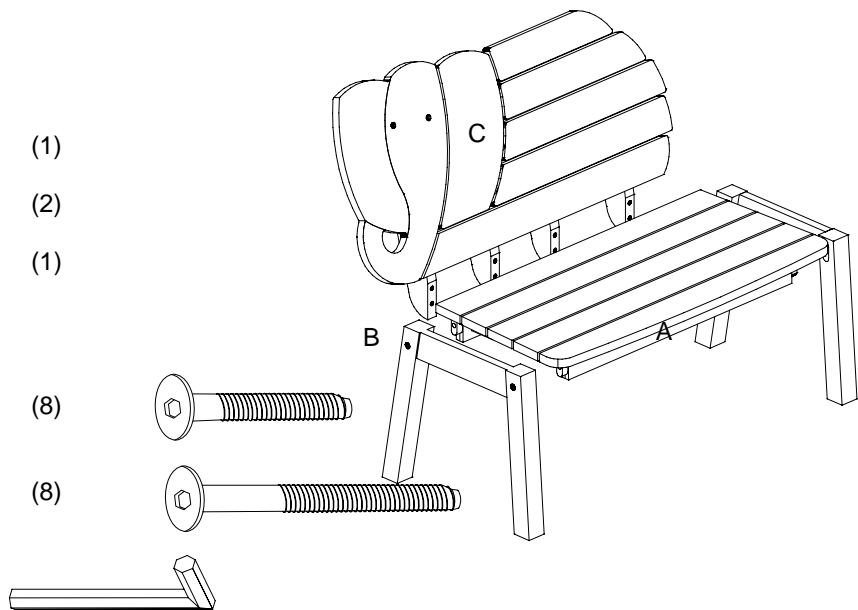
- Read all instructions before beginning assembly. The illustrations provided allow for easier assembly when used in conjunction with the assembly instructions.
- For your safety and ease, assembly by two adults is recommended.
- Remove all part and hardware from the box and lay out on a clean, carpeted, or scratch-free work surface. Use care as some parts or hardware may have sharp points or edges.
- Do not dispose of any contents until assembly is completed to avoid accidentally discarding small parts and hardware.
- Use the parts and hardware lists to identify and separate each of the pieces included.
- Note: Do not fully tighten all bolts until all parts are in place. Failure to follow these instructions may cause the bolts misalign during assembly.
- The use of power tools for assembly is not recommended. Power tools can damage hardware or split wood.

PARTS INCLUDED:

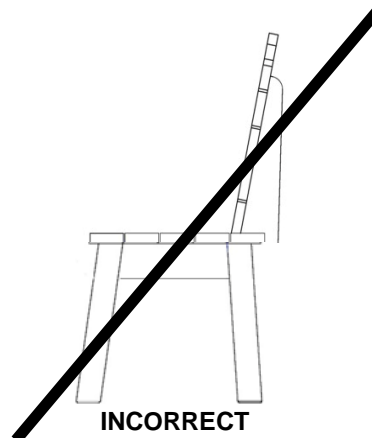
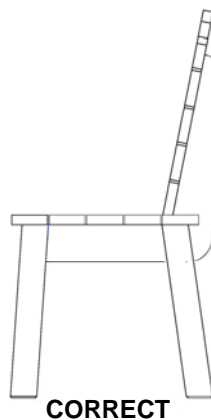
- (A) Bench Seat (1)
- (B) Leg Frame (2)
- (C) Back Rest (1)

HARDWARE INCLUDED:

- (D) Small Bolt 40mm (8)
- (E) Large Bolt 80mm (8)
- (F) 4mm Allen Key (1)

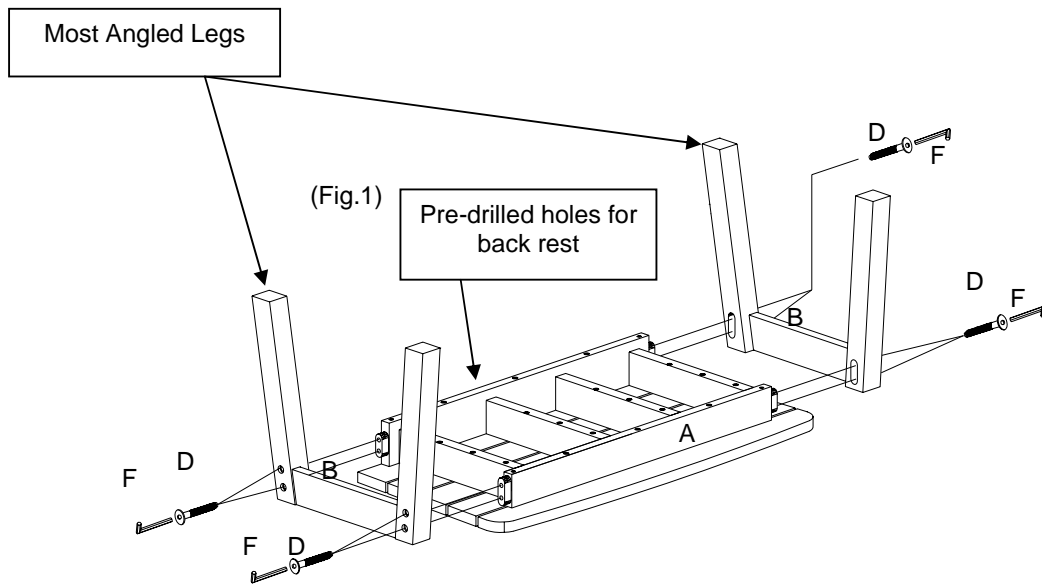


Note: The Leg Frames (B) must be assembled so that the Most Angled Legs face toward the back of the Bench, as shown below. Please follow the instructions carefully to ensure that the Bench is properly assembled.

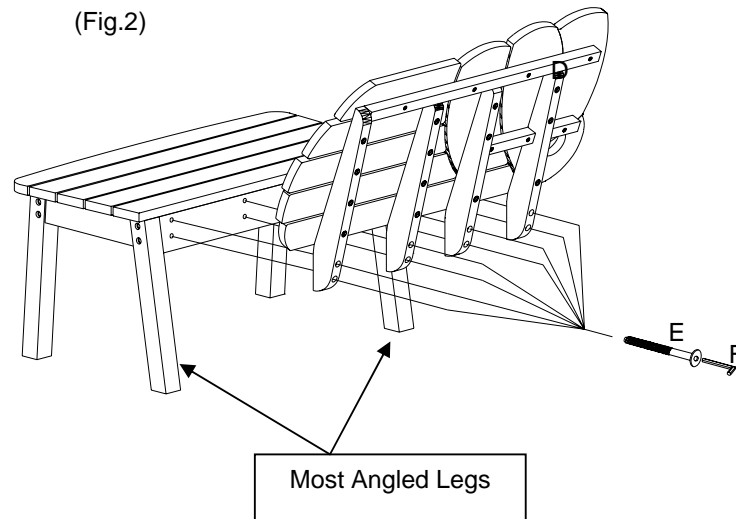


ASSEMBLY INSTRUCTIONS:

1. Carefully lay the Seat (A) upside down on a carpeted or scratch-free surface. Secure the leg frames (B) to the Seat (A) with Small Bolts (D), using Allen Key (F) (Fig. 1).



2. Turn bench upright. Secure the Backrest (C) to the Seat (A) with Large Bolts (E), using Allen Key (F), (Fig. 2). Do not fully tighten until all bolts are in place.



CARE INSTRUCTIONS:

- For daily care wipe with a soft dry cloth. Blot Spills immediately and wipe with a clean dry cloth.
- Store in a dry, covered area when not in use.
- We do not recommend the use of chemical cleansers, abrasives, or furniture polish.
- Over time, the product may begin to gray. To nourish the wood, wash with soap and water. When dry, apply a coating of teak oil with a clean cloth. Remove excess oil by blotting with a soft, clean cloth.

Thank you for your purchase
Stores | catalog | www.potterybarnkids.com
USA 1.800.290.8181