



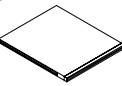
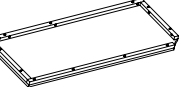
# pottery barn kids

## PUZZLE WALL DOUBLE CUBBY

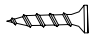

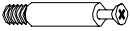
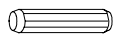

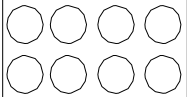
### PRE-ASSEMBLY:

- Read all instructions before beginning assembly. The illustrations provided allow for easier assembly when used in conjunction with the assembly instructions.
- For your safety and ease, assembly by two adults is recommended.
- Remove all part and hardware from the box and lay out on a clean, carpeted, or scratch-free work surface. Use care as some parts or hardware may have sharp points or edges.
- Do not dispose of any contents until assembly is completed to avoid accidentally discarding small parts and hardware.
- Use the parts and hardware lists to identify and separate each of the pieces included.
- Note: Do not fully tighten all bolts until all parts are in place. Failure to follow these instructions may cause the bolts misalign during assembly.
- The use of power tools for assembly is not recommended. Power tools can damage hardware or split wood.

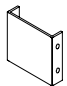
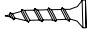
### PARTS INCLUDED:

- (A) End panel (2) 
- (B) Side panel (2) 
- (C) Adjustable Shelf (1) 
- (D) Back Panel (1) 

### HARDWARE ENCLOSED

- (E) LONG SCREW-8X1" (12) 
- (F) CAM LOCK (8) 
- (G) CAM LOCK BOLT (8) 
- (H) WOOD DOWEL (8) 
- (I) MAGIC WIRE (2) 
- (J) ESPRESSO STICKER (8) 

### CONNECTING HARDWARE ENCLOSED:

- (a): U PLATE(2) 
- (b) SHORT SCREW-8X3/4" (8) 

### PARTS AND HARDWARE REQUIRED (Packaged Separately):

- Double-Wide and/or Triple-Wide Bases
- Base Screws:
  - Double Wide Bases include:  
(8) Screws- 8 X 1"
  - Triple-Wide Bases include:  
(12) Screws- 8 X 1"

### TOOLS REQUIRED: (not included)

- Phillips head screwdriver 

**ASSEMBLY INSTRUCTIONS:**

1. Insert (4) Wood Dowels (H) into the pre-drilled holes on each Side Panel (B) (Figure 1). Then, fasten the Cam Lock Bolts (G) into the (4) predrilled holes in each End Panel (A), using the Phillips Head Screwdriver as shown in Figure 2. **Do not over tighten the Cam Lock Bolts or the Cam Locks will not properly engage in Steps 2 and 3.**

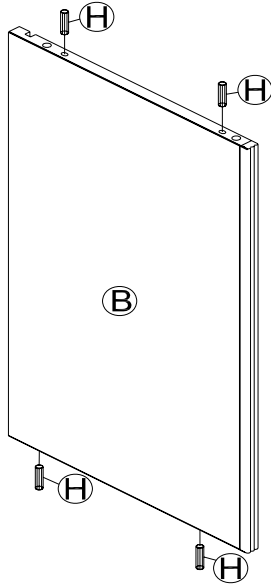


Figure 1.

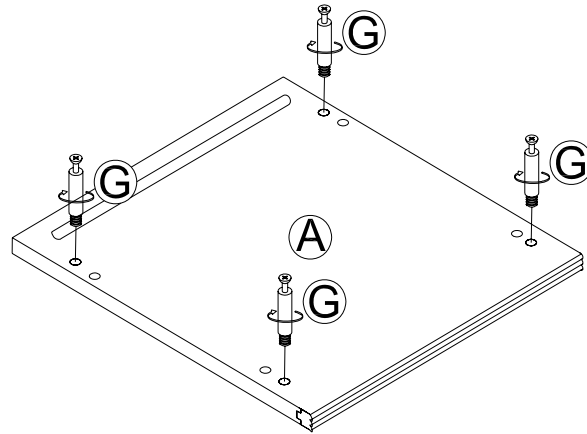


Figure 2

2. Attach the (2) Side Panels (B) onto one End Panel (A), as shown. Insert (1) Cam Lock (F) into the (4) corresponding holes on the Side Panels (B) and tighten using Phillips Head Screwdriver. (Figure 3)
3. Insert the Back Panel (D) through the U-groove on the side panel (B) (Figure 4). Place the second End panel (A) onto the semi-assembled base, as shown. Insert the Cam Lock (F) into the (4) corresponding pre-drilled holes on the Side Panels (B), then use Phillips screwdriver to fasten (Figure 5).

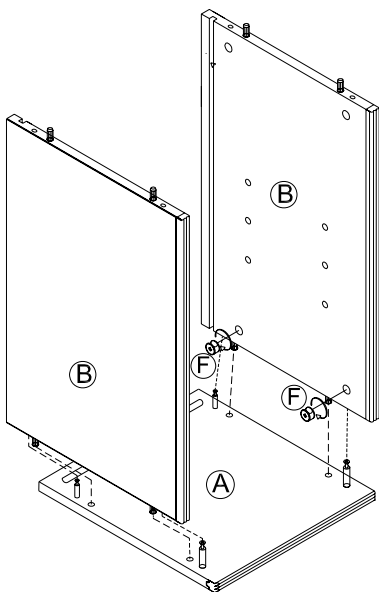


Figure 3

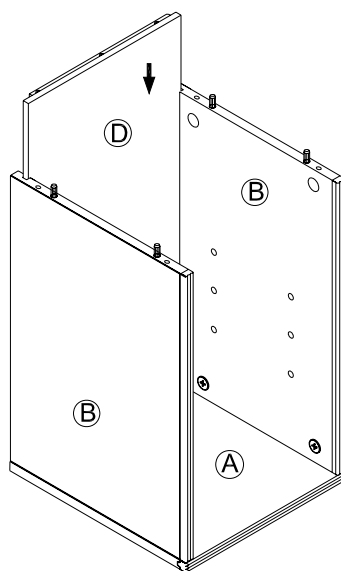


Figure 4

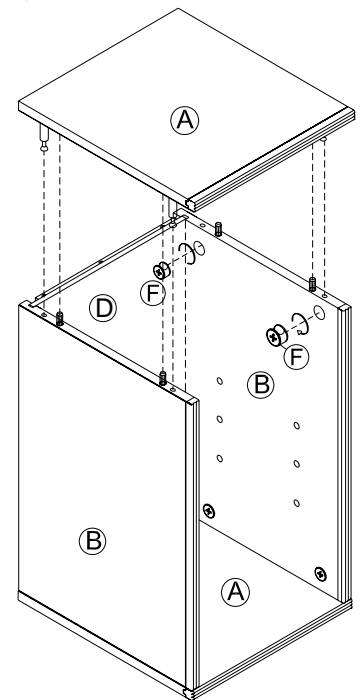
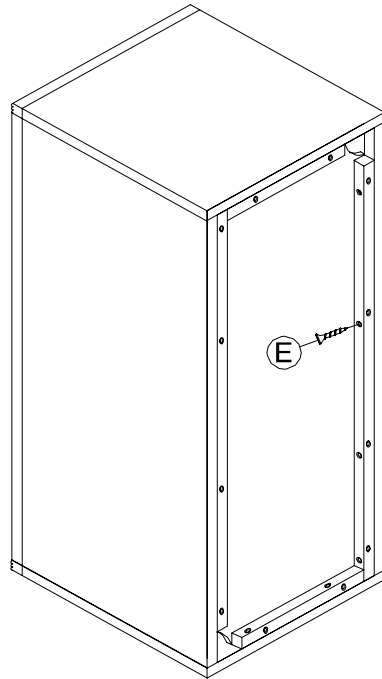


Figure 5

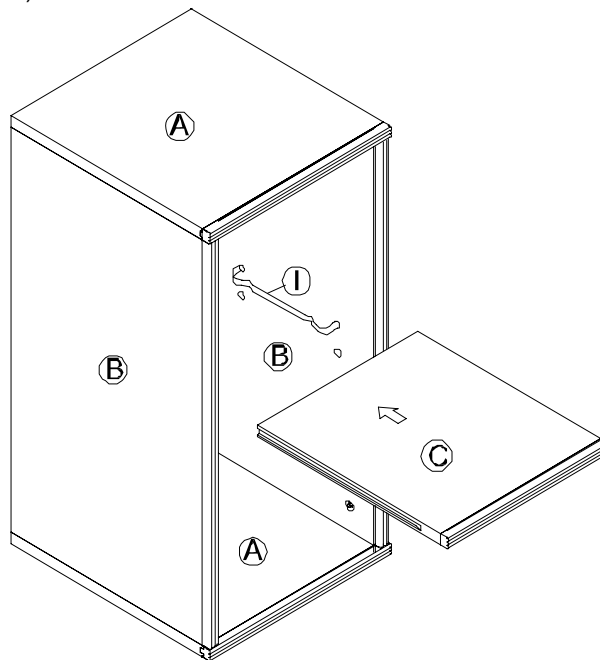
4. Use Phillips screwdriver to tighten all the Cam Locks using the (8) Espresso Sticker (J) to cover the corresponding pre-drilled holes.
5. Secure the Back Panel (D) with (12) Screws (E), using the Phillips Head Screwdriver (not included) (Figure 6).



**BACK VIEW**

**Figure 6**

6. Place the (2) Magic Wires (I) into the pre-drilled holes in the Side Panels (B) at the desired height. Insert the Adjustable Shelf (C) (Figure 7).

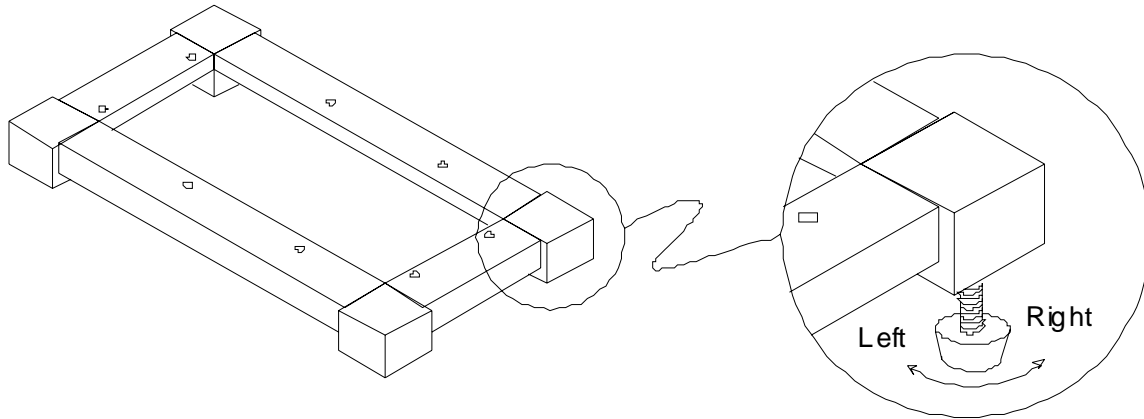


**Figure 7.**

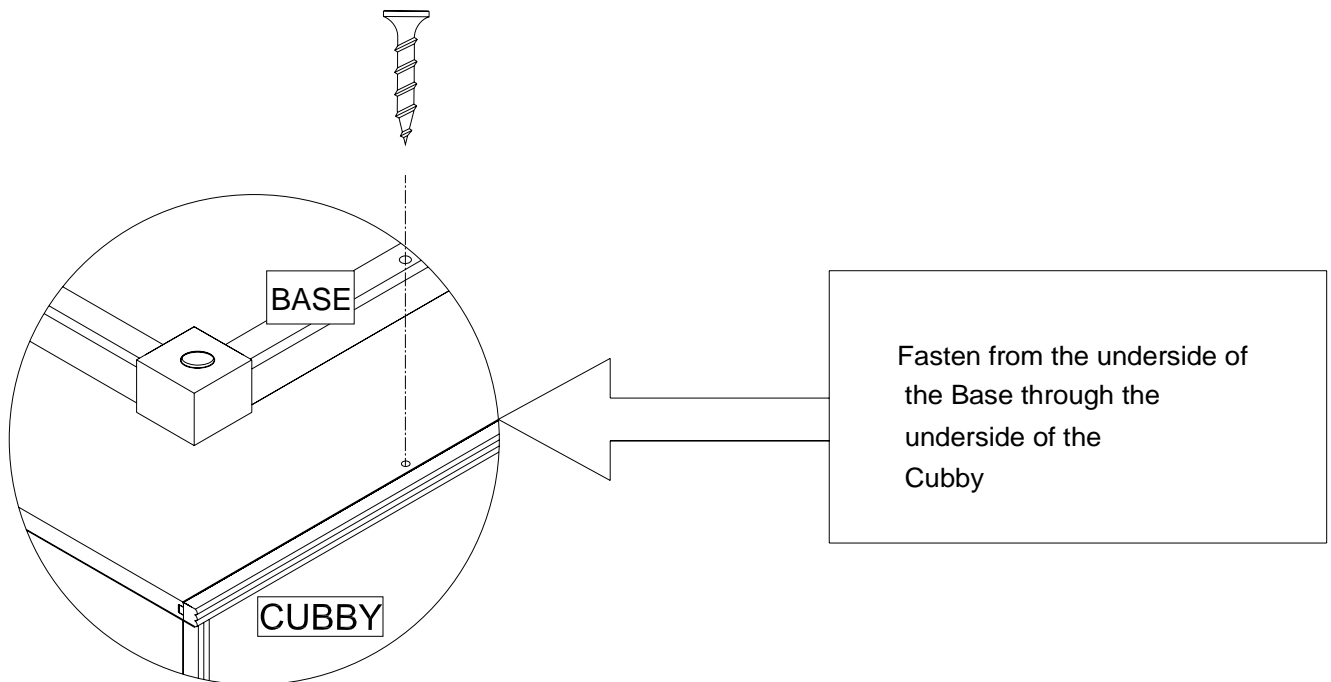
**COMPLETING THE ASSEMBLY:**

Your Puzzle Wall System contains a set of individual components that can be attached together in a variety of combinations to suit your own space. To assemble the set together, please follow these steps:

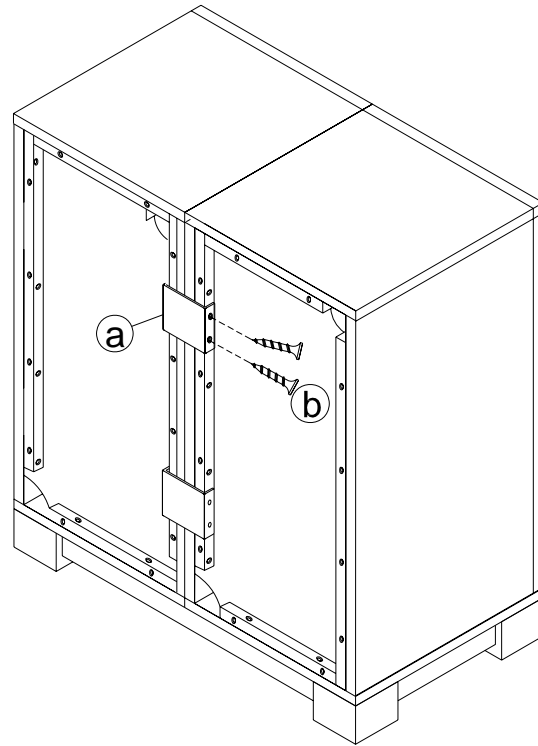
1. Choose your preferred layout by arranging the Puzzle Wall Cubbies together as desired, atop the Bases (packaged separately). If needed, loosen or tighten the adjustable levers on the underside of the Bases to ensure that your system will sit firmly on the ground.



2. Turn pieces upside down and fasten the Bases to the Bottom Cubbies using the 8 X 1" screws, as shown below.



3. Attach the individual Puzzle Components together by fastening the U Plates (a) with (4) Screws (b) each along the back edges, as shown below, using the Phillips Head Screwdriver (not included).



**BACK VIEW**

**As a safety precaution, please follow the instructions enclosed to secure the Puzzle Wall Unit to the wall using the tipping-restraint kit included.**

**CARE INSTRUCTIONS:**

- Dust often using a clean, soft, dry lint-free cloth.
- Blot spills immediately, and wipe with clean, damp, cloth
- We do not recommend the use of chemical cleansers, abrasives, or furniture polish on our lacquered finish.

Thank you for your purchase  
Stores | catalog | [www.potterybarnkids.com](http://www.potterybarnkids.com)  
USA 1.800.290.8181