

pottery barn kids UNIVERSAL TRUNDLE BED

PRE-ASSEMBLY:

- Remove all parts and hardware from the box and lay out on a clean, carpeted, or scratch-free work surface, as this will avoid damaging any parts during assembly. The shipping box provides an ideal work surface. Do not dispose of any contents until assembly is completed to avoid accidentally discarding small parts or hardware.
- Two adults recommended for ease of assembly.
- Use the parts and hardware lists to identify and separate each of the pieces included prior to starting assembly.
- The illustrations provided allow for easier assembly when used in conjunction with the assembly instructions.
- Note: Do not fully tighten all bolts until all parts are in place. Failure to follow these instructions may cause the bolts to misalign during assembly.
- If using power tools to aid in assembly please use caution. Power tools can damage hardware or split wood.

PARTS INCLUDED:

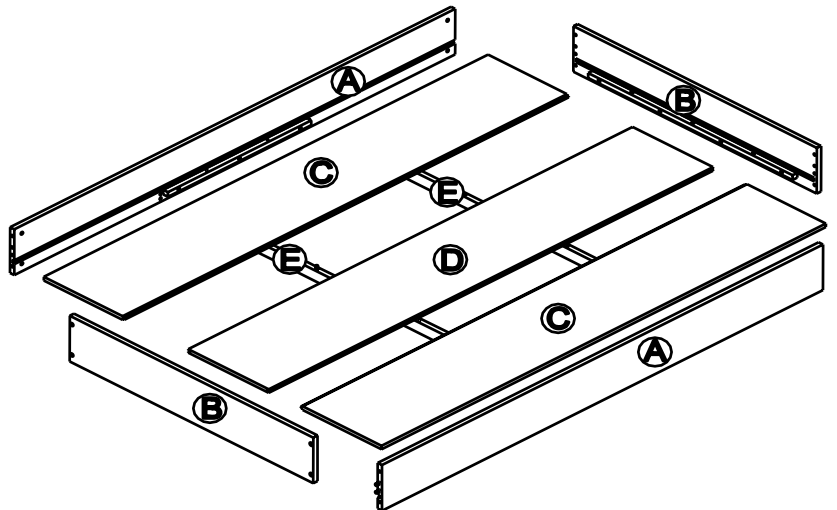
(A) Long Side Rails – 2pcs

(B) Short Side Rails – 2pcs

(C) Bottom board with predrilled holes – 2pcs

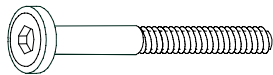
(D) Bottom board – 1pc

(E) Cross bar – 2pcs



HARDWARE INCLUDED:

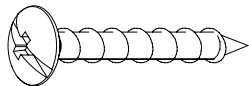
(F) 1/4" x 2-1/2" Bolt – 8pcs



(G) Barrel nut – 8pcs



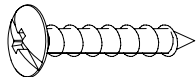
(H) #8 x 1-1/4" Screws – 22 pcs



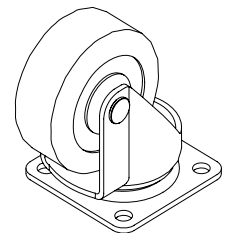
(I) 4mm Allen key – 1pc



(J) #7 x 12mm Screw – 24pcs

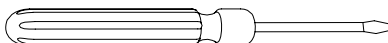


(K) Caster – 6pcs



TOOLS NEEDED:

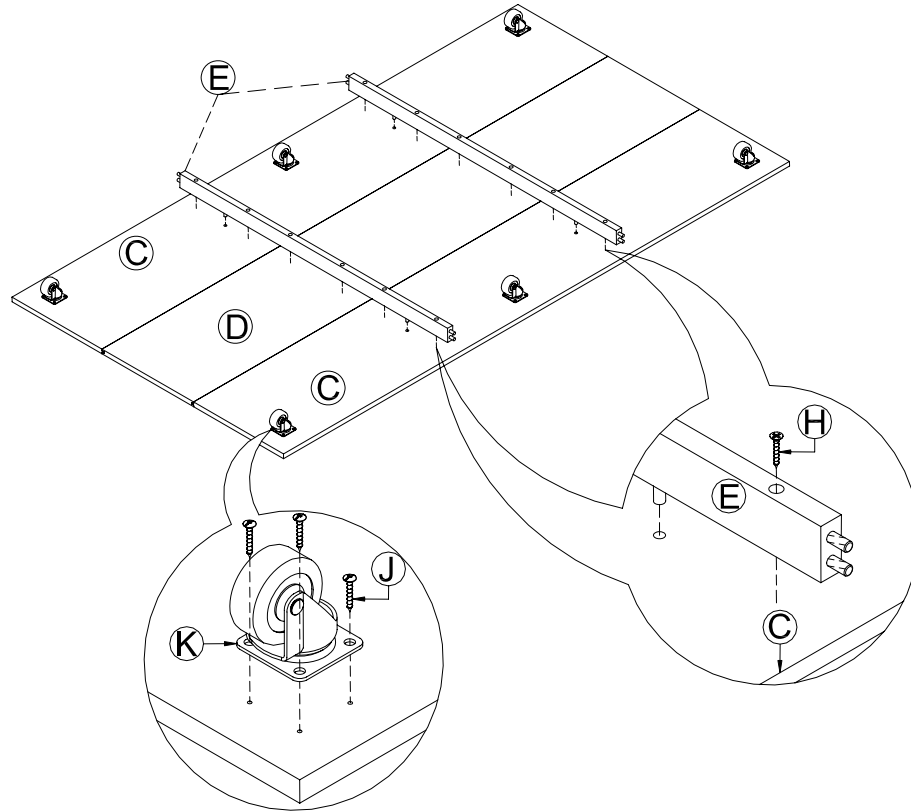
Phillips screwdriver (not included)



ASSEMBLY INSTRUCTIONS:

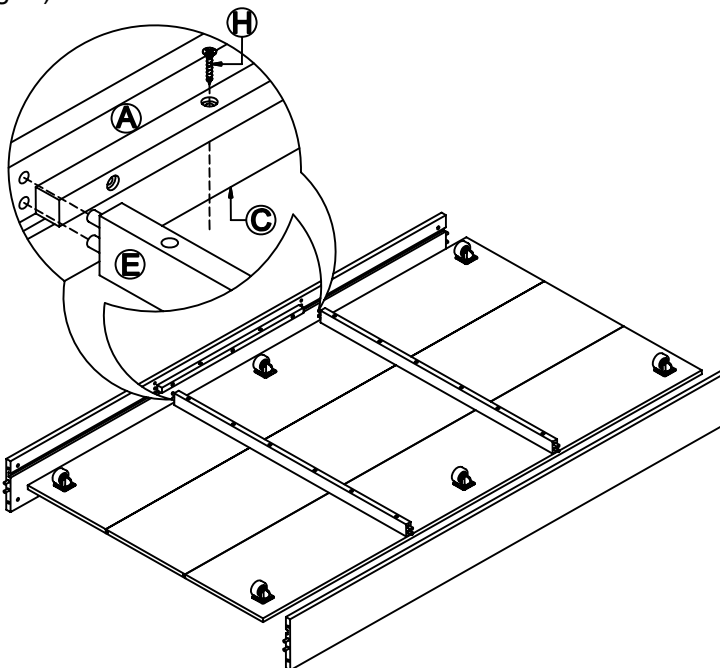
1. Lay the (2) Bottom boards (C, D) on your work surface with the side of the pre-drilled holes facing up. Evenly align the Bottom boards with each other. Attach both of the Cross bars (E) by inserting the #8 x 1-1/4" Screw (H) into the pre-drilled holes of each cross bar, tightening with the Phillips screwdriver where the Cross bars join the Bottom boards. Finally, insert the Casters (F) into the pre-drilled holes on the Bottom boards by using #7 x 12mm screw (J). (Fig. 1)

(Fig. 1)



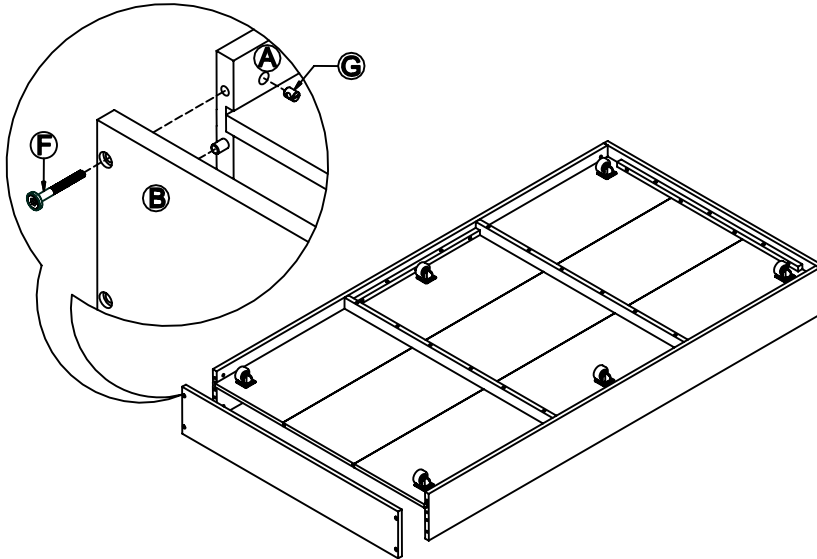
2. Position the Long side rail (A), exactly as shown in illustration below with the wood dowels of the Cross bar (E) into the pre-drilled holes of the Long side rail (A). Insert the #8 x 1-1/4" Screws (H) into the pre-drilled holes located in the support rail of the Long side rail, tightening with Phillips screwdriver. Repeat the same process for the other Long side rail. (Fig. 2)

(Fig. 2)



3. Attach the Short rail (B) by inserting the 1/4" x 2-1/2" Bolts (F) into pre-drilled holes on the Long rail (A), then connecting into the Barrel nut (G) placed into Long rail (A) with the Allen key provided (I) (Fig.3). Insert the #8 x 1-1/4" Screws (H) into the pre-drilled holes located in the support rail of the Short rail, tightening with Phillips screwdriver as was done in Step 2. Repeat the same process for the other Short rail. Carefully turn the trundle upright. Insert the 1-1/4" x 2-1/2" bolt (F) into another pre-drilled hole near the top on the Long rail (A), using the barrel nut (G) with Allen key provided (I). (Fig.3) Tighten all Bolts (F) securely.

(Fig 3)



CARE INSTRUCTIONS:

- Dust often using a clean, soft, dry lint-free cloth.
- Blot spills immediately, and wipe with a clean, damp, cloth.
- We do not recommend the use of chemical cleansers, abrasives, or furniture polish on our lacquered finish.
- Do not sit or stand on trundle.

Thank you for your purchase
stores | catalog | www.potterybarnkids.com