

pottery barn kids

THOMAS WALL ARMOIRE

PRE-ASSEMBLY:

- Read all instructions before beginning assembly. The illustrations provided allow for easier assembly when used in conjunction with the assembly instructions.
- For your safety and ease, assembly by two adults is recommended.
- Remove all parts and hardware from the box and lay out on a clean, carpeted, or scratch-free work surface. Use care as some parts or hardware may have sharp points or edges.
- Do not dispose of any contents until assembly is completed to avoid accidentally discarding small parts or hardware.
- Use the parts and hardware lists to identify and separate each of the pieces included.
- Note: Do not fully tighten all bolts until all parts are in place. Failure to follow these instructions may cause the bolts to misalign during assembly.
- The use of power tools for assembly is not recommended. Power tools can damage hardware or split wood.

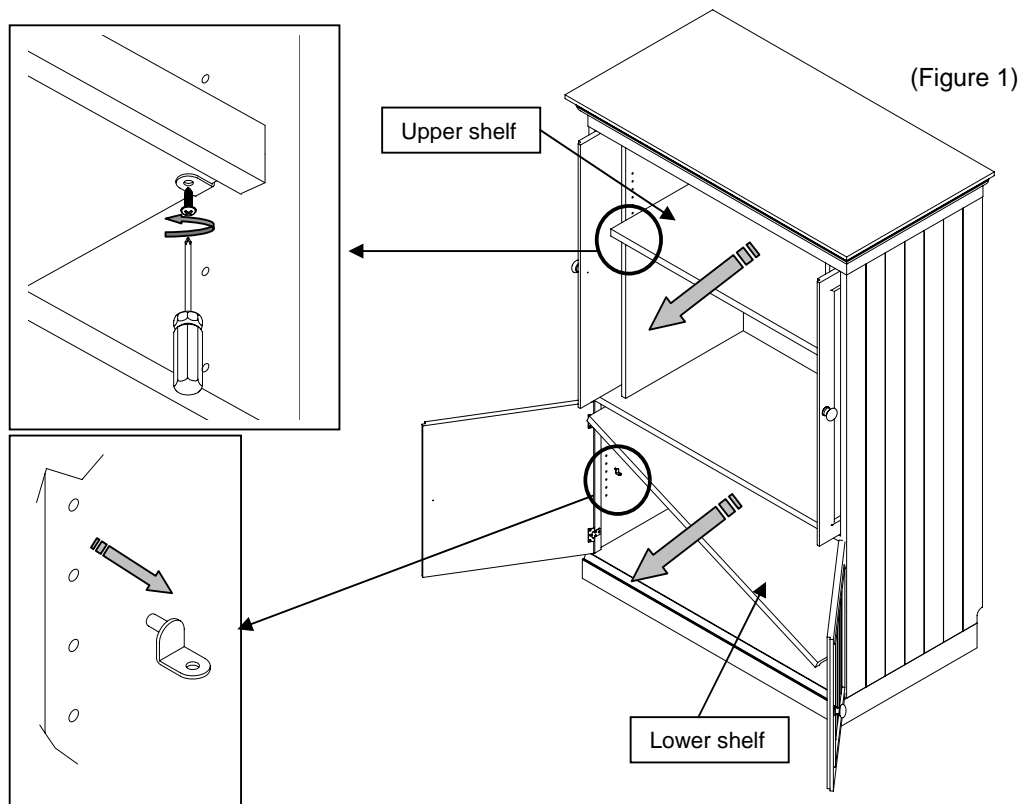
TOOLS REQUIRED :

- Phillips Head Screwdriver

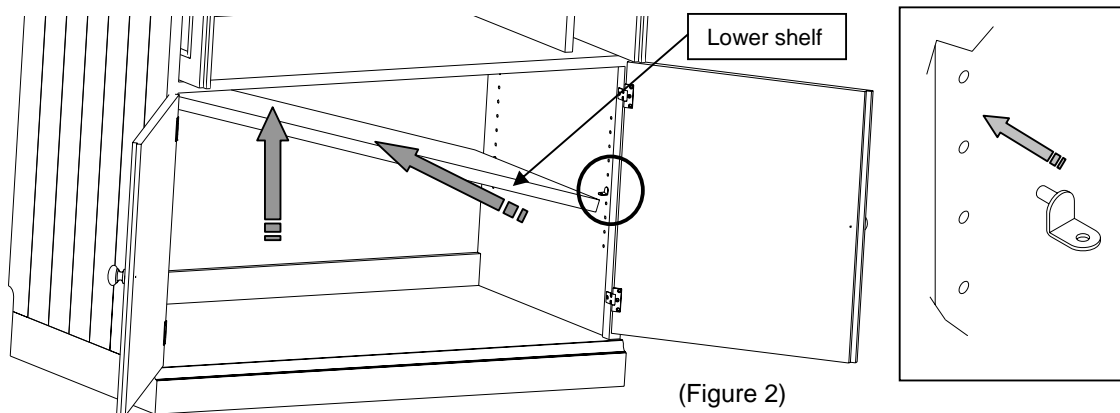
Note: The Load Capacity of the Thomas Media Armoire is 200 LBS.

ASSEMBLY INSTRUCTIONS:

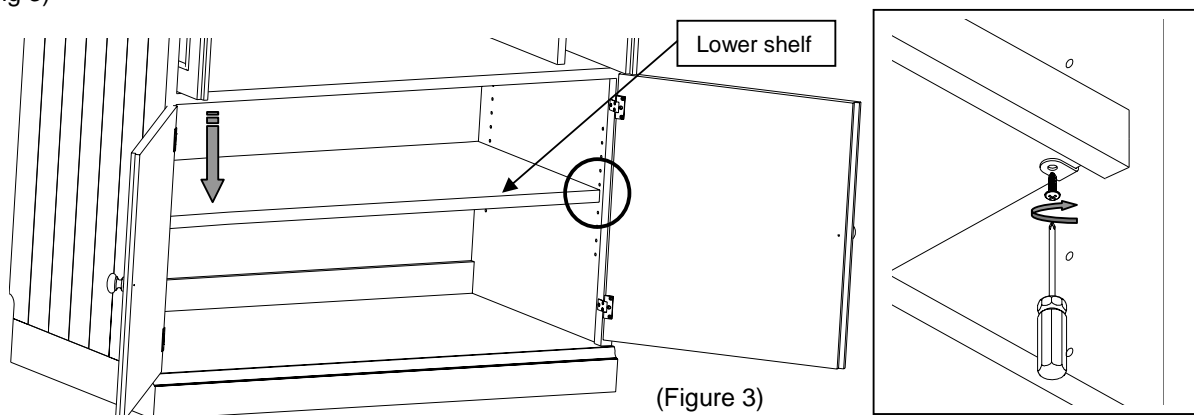
1. The shelves are pre – assembled inside the armoire. To adjust the height, unfasten the screws found underneath the shelf using a Phillips head screwdriver. Remove the shelves. Note: to remove the lower shelf, it may be necessary to tilt the shelf as shown. Adjust the shelf pin to the desired height. Gently rest the upper shelf back onto the shelf pins and fasten the screw. (Fig. 1)



2. Gently tilt and insert the lower shelf by lowering the other end of the shelf until it seats onto the shelf pins. **Note: Do not insert all the shelf pegs at once.** Hold the other end in upright position and insert two shelf pins into the pre-drilled holes. (Fig 2)

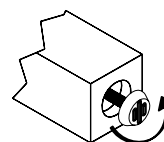


3. Gently lower the shelf and rest it onto the shelf pins. Fasten the screws using a Phillips head screwdriver. (Fig 3)



If the floor is not perfectly even, the furniture may not sit level. Determine which corner does not touch the ground correctly. With two people follow these steps:

- Carefully elevate the item slightly to provide access to the levellers attached to the bottom.
- Turn the levellers in a counter-clockwise direction.
- Gently set down the piece and check stability.
- Repeat steps until the furniture sits firmly on the ground.



CARE INSTRUCTIONS:

- Dust often using a clean, soft, dry lint-free cloth.
- Blot spills immediately, and wipe with clean, damp, cloth
- We do not recommend the use of chemical cleansers, abrasives, or furniture polish on our lacquered finish.

Thank you for your purchase
stores | catalog | www.potterybarnkids.com
USA 1.800.290.8181