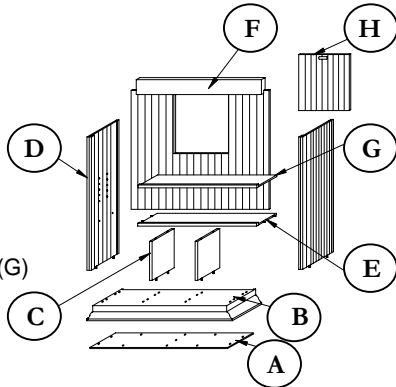


pottery barn kids thomas wall media hutch

- Please read all instructions carefully before beginning assembly.
- For your safety, assembly by two people is recommended.
- Save all packing materials until assembly is complete to avoid accidentally discarding smaller parts or hardware.
- Phillips head screwdriver not included.

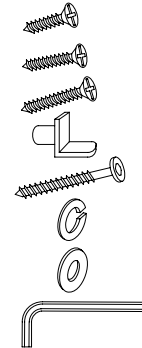
Parts Enclosed:

- (1) Top Panel (A)
- (1) Crown Frame (B)
- (2) Divider (C)
- (2) Side Panel (D)
- (1) Shelf (E)
- (1) Back Panel (F)
- (1) Adjustable Shelf (G)
- (1) Back Slot (H)

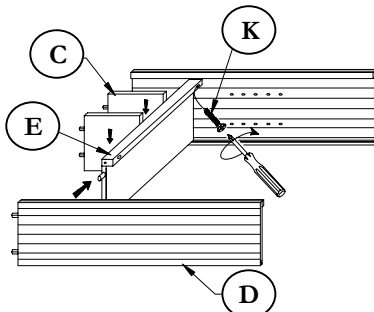


Hardware Enclosed:

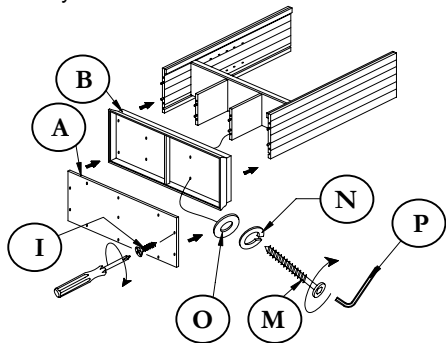
- (11) CBS M3 x 16mm (I)
- (5) CBS M4 x 20mm (J)
- (6) CBS M4 x 30mm (K)
- (4+2) Shelf Support (L)
- (8) JCBCW M7 x 95mm (M)
- (8) Spring Washer M6 (N)
- (8) Flat Washer M6 (O)
- (1) Allen Key (P)



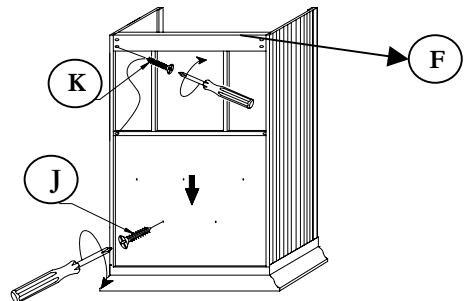
ASSEMBLY:



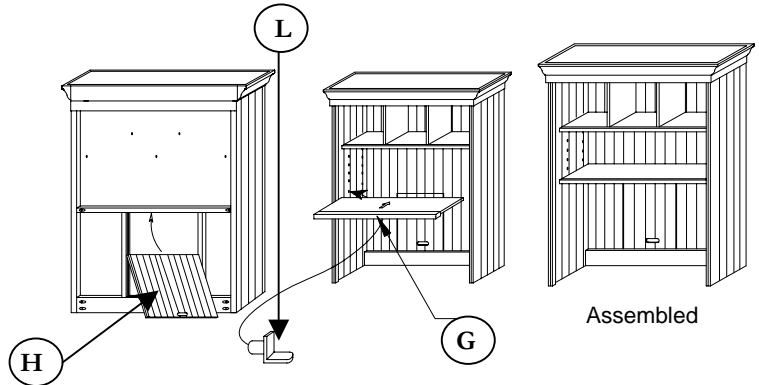
1. Carefully lay the side panel (D) on scratch-free surface such as a rug or carpet. Attach the shelf (E) to the side panel using the wooden dowels as guides. Use CBS screw (K) to fasten the connection with screw driver. Repeat the same procedures for the opposite side of the panel. Attach the dividers (C) to the shelf and carefully slot down the dividers until fully secure into the shelf.



2. Gently locate the pre-drilled hole of the crown frame and attach it to the side panels and dividers using the wooden dowels as guides. Use flat washers (O), spring washers (N), and JCBCW screws (M) to fasten the connection with the Allen Key (P). Attach the top panel onto the crown frame. Use CBS screw (I) to fasten the connection as shown.



3. Carefully lay the hutch on scratch-free surface. Slot in the back panel (F) into the grooves designed into the side panels until it seats inside the top crown. Use CBS screw (K) to fasten the bottom part of the back panel to the side panel with screwdriver. Fasten the connection of the back panel to the internal shelf and divider using CBS screw (J).



4. Gently grip the hutch at each end and bring it upright. If you wish to cover the window on the back panel, proceed with the following step. Raise the back slot (H) until the bottom of the slot panel clears the bottom of the opening allowing it to seat inside the groove at the top of the opening. Now lower the slot panel allowing it to rest into the groove at the bottom of the opening. Determine the desired height for each shelf. Insert the shelf supports (L) into the pre-drilled holes as shown. Carefully insert the shelf (G) into the hutch and gently rest it on the shelf supports as shown. Assembly is complete.

The use of power tools during the assembly of this item can cause the hardware to strip or the wood to split. Please proceed with extreme care.

CARE:

To clean, wipe with a soft dry or slightly damp cloth.

Thank you for your purchase