


# pottery barn kids CAMP CHANGING TABLE TOPPER

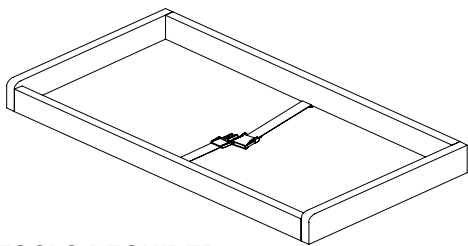
 **WARNING:** FALL HAZARD – To prevent death or serious injury from falls, always keep child within arm’s reach. NEVER LEAVE CHILD UNATTENDED and always use restraining system. This changing table is intended for use with children weighing up to 50 pounds.

## IMPORTANT SAFETY INSTRUCTIONS:

- This changing table is designed to be used with or without a changing pad. The only pad approved for use is the Pottery Barn Kids Contoured Changing Pad (sold separately). The dimensions of that pad are 31 7/8" (810mm) wide x 15 3/4" (400mm) length x 1 1/2" (40mm) minimum thickness.
- Do not use Changing Table, add on Changing Unit, or Contoured Changing Pad if any parts are damaged or broken.

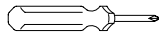
## PRE-ASSEMBLY:

- Read all instructions before beginning assembly. The illustrations provided allow for easier assembly when used in conjunction with the assembly instructions. Keep instructions for future use.
- For your safety and ease, assembly by two adults is recommended.
- Remove all parts and hardware from the box and lay out on a clean, carpeted, or scratch-free work surface. Use care as some parts or hardware may have sharp points or edges.
- Do not dispose of any contents until assembly is completed to avoid accidentally discarding small parts or hardware.
- Use the parts and hardware lists to identify and separate each of the pieces included.
- Note: Do not fully tighten all bolts until all parts are in place. Failure to follow these instructions may cause the bolts to misalign during assembly.
- The use of power tools for assembly is not recommended. Power tools can damage hardware or split wood.



## TOOLS REQUIRED:

Philips Screwdriver (Not included)



## PARTS INCLUDED:

(A) Topper – 1pc

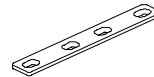
## PARTS REQUIRED:

Camp Dresser (sold separately)

## HARDWARE INCLUDED:



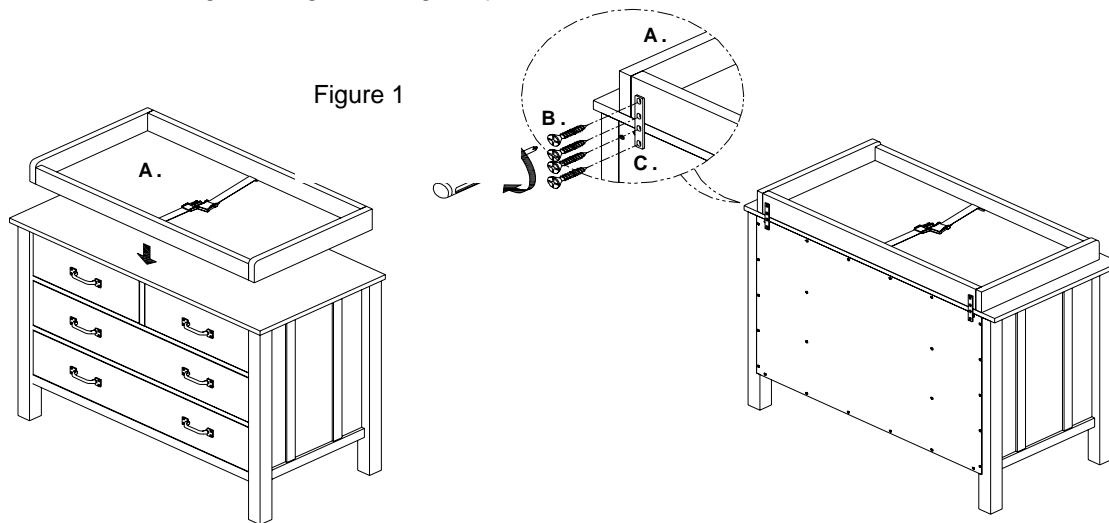
(B) Wood Screw 3.5 x 20mm  
– 8pcs



(C) Metal Bracket – 2pcs

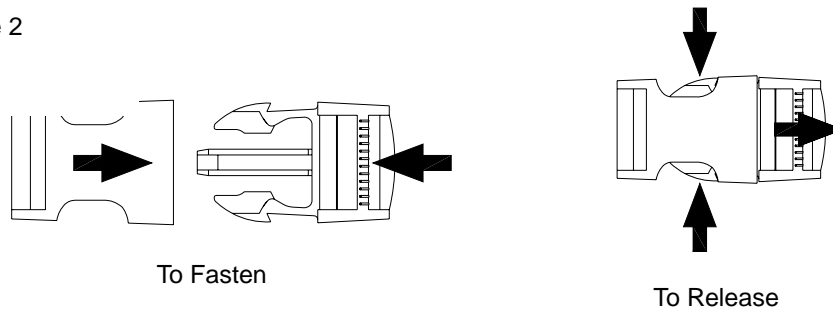
## ASSEMBLY INSTRUCTIONS:

1. Carefully place the Changing Table Topper (A) on top of the Camp Dresser (sold separately). Align the pre-drilled holes of the Changing Table Topper (A) to the pre-drilled holes at the back of the Dresser. Fasten (2) Metal Brackets (C) over the pre-drilled holes on back of Topper and secure it to Camp Dresser using (8) Wood Screws (B), as shown in Figure 1. Tighten using Philips Head Screwdriver.



2. Adjust the restraint strap to fit baby's body. To fasten restraint strap, insert the buckle as shown in Figure 2. To release, press inward on tabs.

Figure 2



3. If you purchase the Pottery Barn Kids Contoured Changing Pad, place it in the large bounded area of the Changing Table Topper (A) for use.
4. Periodically tighten all connections. **As a safety precaution, please follow the instructions enclosed to secure the Changing Table to the wall using tipping-restraint kit included.**

## CARE INSTRUCTIONS:

- Dust often using a clean, soft, dry lint-free cloth.
- Blot spills immediately, and wipe with a clean, damp, cloth.
- We do not recommend the use of chemical cleansers, abrasives, or furniture polish on our lacquered finish.
- Check fasteners periodically for tightness. **DO NOT** over tighten. This may cause distortion or breakage
- Parents should ensure a safe environment for the child by checking regularly, before placing the child in the product, that every component is properly and securely in place.

Thank you for your purchase.  
stores | catalog | [www.potterybarnkids.com](http://www.potterybarnkids.com)  
USA 1.800.290.8181